

Job Name: 25-1431 - Georgetown Commons  
 Job Location: Georgetown, KY  
 Contractor: Winwater Hartford KY Co.

Plant: Beaver Dam

4/23/2026 11:20:08 AM

Tech: J. Coppage

PC: A. Chambers



**Structure ID: SCI 103**

**P1 MH060BA60**

**MH BASE**

- P3) 24" x 30" - CASTING HEIGHT - 6"
- P2) 60" - MH FLAT TOP w/24"x30" Hole - 13"
- P1) 60" - MH BASE - 60"
- 1) CASTING - HOE 360 Set (F/G/H)
- 1) 60" - Conseal CS-102 1.00"
- 1) 24" x 30" - Conseal CS-102 1.00"
- 2) Hole - 40
- 5) MH Step ML-10-TDS-NCR - 10"

- Structure Notes:**
1. JR HOE HOE-360 PROVIDED BY ICAST.
  2. PER ASTM C478 SPECIFICATIONS.
  3. CONCRETE = 4,000 PSI AT 28 DAYS.
  4. REINFORCING PER ASTM A615 (GRADE 60).
    - TOP SLAB (As .62) #5 BARS AT 6" C.C.E.W..
    - RISER/WALLS (As .18)
    - FLOOR (As .37) #5 BARS AT 10" C.C.E.W.

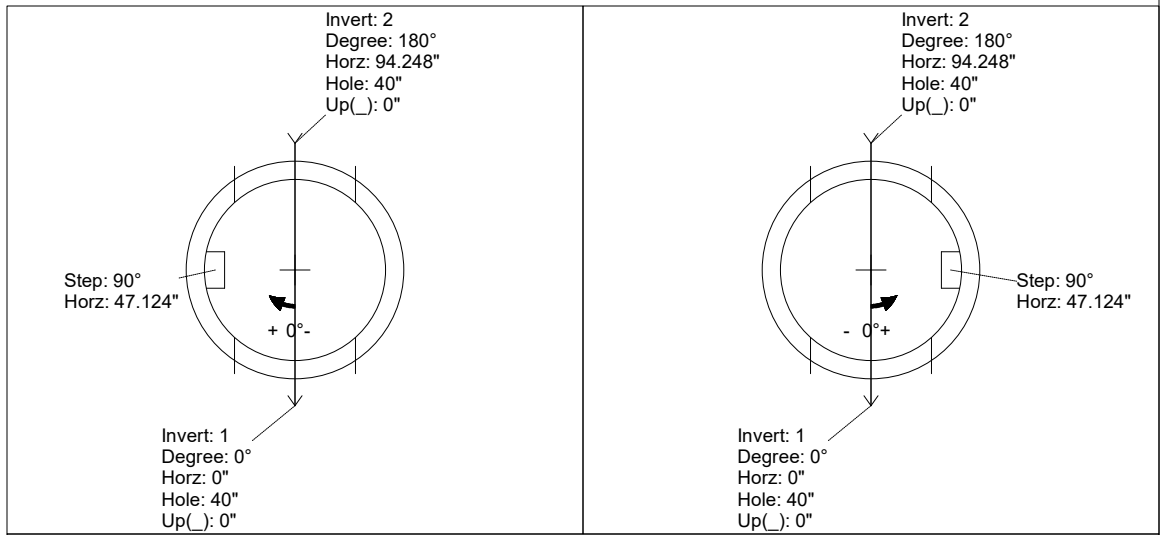
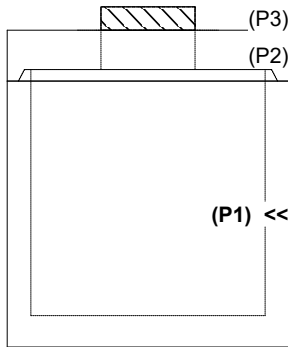
Structure Total: 10663 lb

Rim: 870.95' Rim to Invert: 6.6' Slack: 2.75" Sump: 2.55" Step Position: 90°

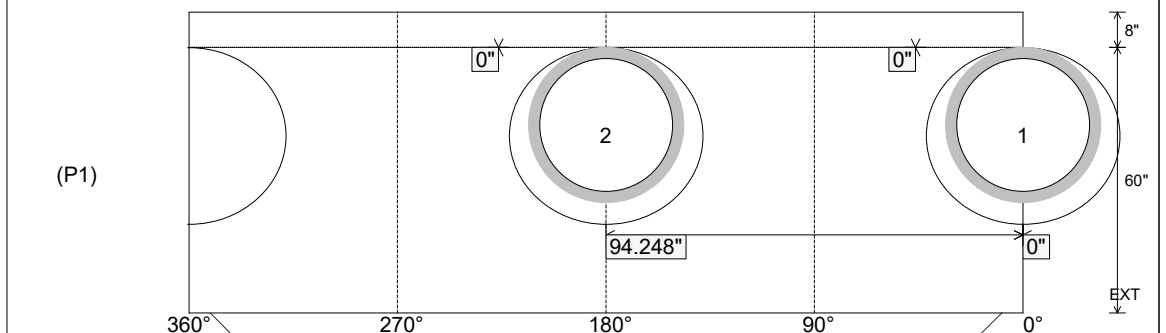
Position	Elev	Angle	Ext. (cw)	Pipe	Pipe OD	Connector	Hole	Horz Size	Up ( )	Offset
Invert 1	864.35'	0°	0"	30" HDPE	35.1"	Hole 40	40"	43.784"	0"	0"
Invert 2	864.35'	180°	113.097"	30" HDPE	35.1"	Hole 40	40"	43.784"	0"	0"
Invert 3										
Invert 4										
Invert 5										
Invert 6										
Invert 7										
Invert 8										

RIGHT-SIDE UP VIEW (int. dimensions)

UPSIDE-DOWN VIEW (int. dimensions)



INSIDE WALL DIMENSIONS



Coating (Int):  
 Coating (Ext):

Seam Up: Tongue  
 Seam Dn: n/a

Wall Thickness: 6"  
 Floor Height: 8"

Height (Int): 60"  
 Height (Ext): 68"

Weight (Net): 7633 lb  
 Volume (Net): 1.95cu.yd