

Job Name: 25-1431 - Georgetown Commons
 Job Location: Georgetown, KY
 Contractor: Winwater Hartford KY Co.

Plant: Beaver Dam

4/23/2026 11:20:08 AM

Tech: J. Coppage

PC: A. Chambers



Structure ID: SCI 102

P1 MH060BA60

MH BASE

- P3) 24" x 30" - CASTING HEIGHT - 6"
- P2) 60" - MH FLAT TOP w/24"x30" Hole - 13"
- P1) 60" - MH BASE - 60"
- 1) CASTING - HOE 360 Set (F/G/H)
- 1) 60" - Conseal CS-102 1.00"
- 1) 24" x 30" - Conseal CS-102 1.00"
- 2) Hole - 40
- 5) MH Step ML-10-TDS-NCR - 10"

- 0 lb
 2668 lb
 7633 lb
 362 lb
 0 lb
 0 lb
 0 lb
 0 lb
- Structure Notes:**
1. JR HOE HOE-360 PROVIDED BY ICAST.
 2. PER ASTM C478 SPECIFICATIONS.
 3. CONCRETE = 4,000 PSI AT 28 DAYS.
 4. REINFORCING PER ASTM A615 (GRADE 60).
 - TOP SLAB (As .62) #5 BARS AT 6" C.C.E.W..
 - RISER/WALLS (As .18)
 - FLOOR (As .37) #5 BARS AT 10" C.C.E.W.

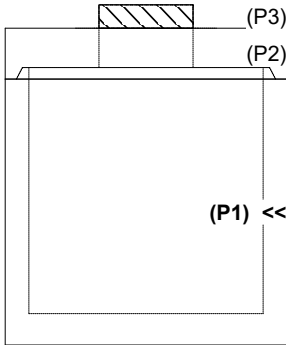
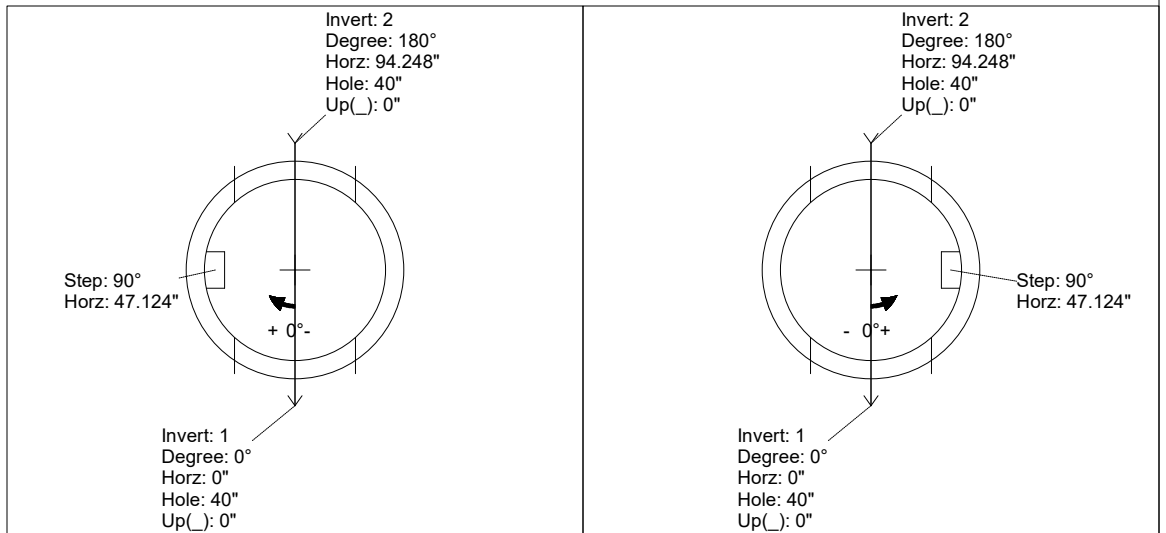
Structure Total: 10663 lb

Rim: 870.95' Rim to Invert: 6.45' Slack: 0.95" Sump: 2.55" Step Position: 90°

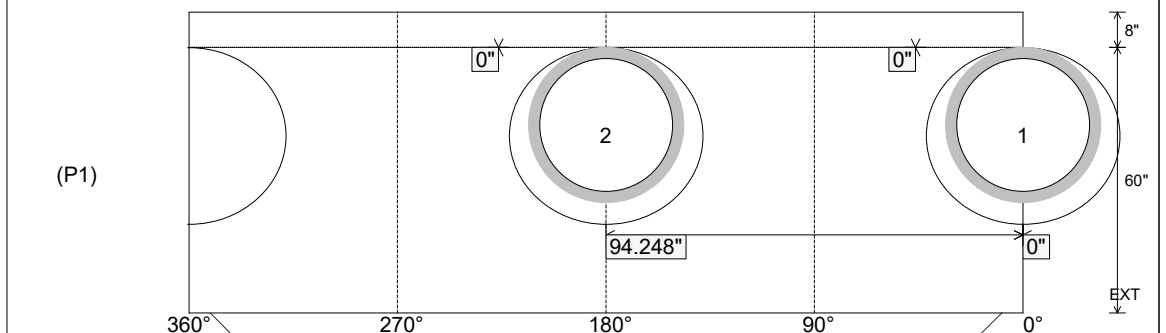
Position	Elev	Angle	Ext. (cw)	Pipe	Pipe OD	Connector	Hole	Horz Size	Up (↓)	Offset
Invert 1	864.5'	0°	0"	30" HDPE	35.1"	Hole 40	40"	43.784"	0"	0"
Invert 2	864.5'	180°	113.097"	30" HDPE	35.1"	Hole 40	40"	43.784"	0"	0"
Invert 3										
Invert 4										
Invert 5										
Invert 6										
Invert 7										
Invert 8										

RIGHT-SIDE UP VIEW (int. dimensions)

UPSIDE-DOWN VIEW (int. dimensions)



INSIDE WALL DIMENSIONS



Coating (Int): Coating (Ext):	Seam Up: Tongue Seam Dn: n/a	Wall Thickness: 6" Floor Height: 8"	Height (Int): 60" Height (Ext): 68"	Weight (Net): 7633 lb Volume (Net): 1.95cu.yd
----------------------------------	---------------------------------	--	--	--