

**Job Name: 25-1431 - Georgetown Commons**  
**Job Location: Georgetown, KY**  
**Contractor: Winwater Hartford KY Co.**

PC: A. Chambers  
 TECH: J. Coppage  
 Plant: Beaver Dam



Structure ID: **MH 70**  
 Spec: Storm  
 Type: STM.MH  
 Size: 48"

Rim: 869.69'  
 Invert: 859.75'  
 Rim to Invert: 9.94'

Sump: 1.6"  
 Floor (Top): 859.617'  
 Floor Height: 6"

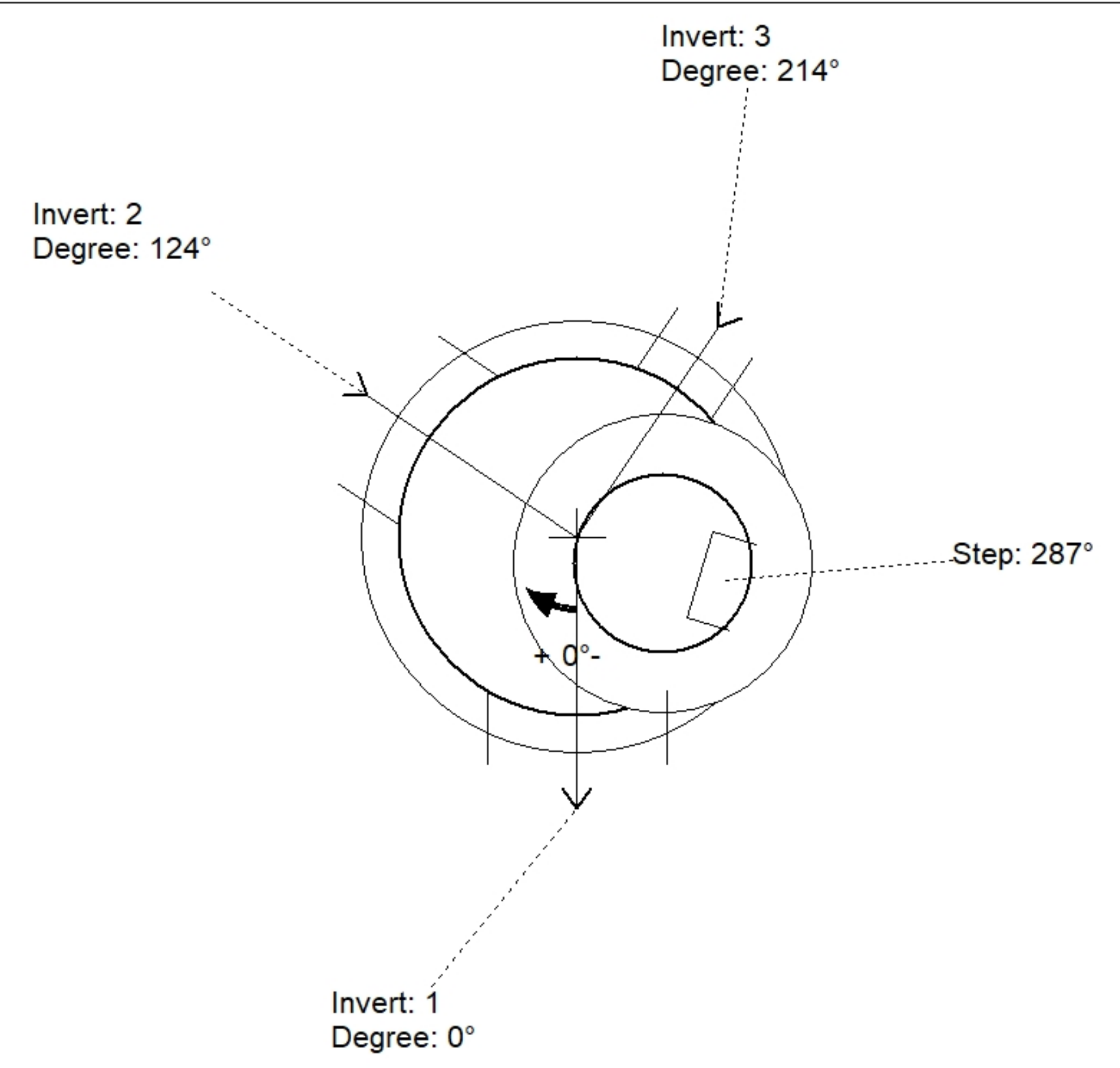
Floor (Bot): 859.117'  
 Overall Height: 10.333'  
 Slack: 2.88"

**Structure Notes:**

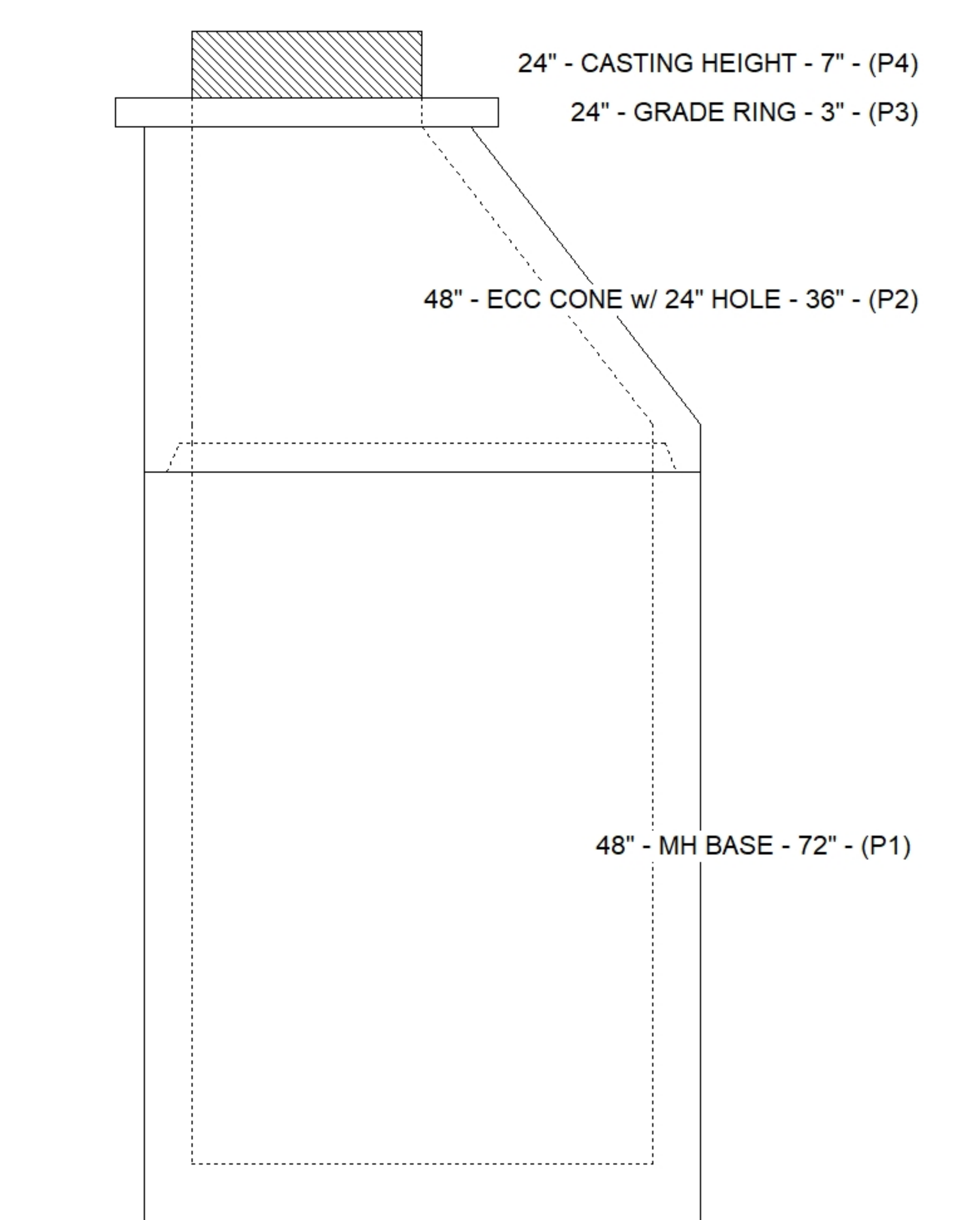
- JR HOE MC-420 PROVIDED BY ICAST.
- PER ASTM C478 SPECIFICATIONS.
- CONCRETE = 4,000 PSI AT 28 DAYS.
- REINFORCING PER ASTM A615 (GRADE 60).  
 - TOP SLAB (As .62) #5 BARS AT 6" C.C.E.W..  
 - RISER/WALLS (As .12)  
 - FLOOR (As .31) #5 BARS AT 12" C.C.E.W.
- VERIFY THE SIZE, TYPE, AND ELEVATION OF THE ROOF DRAINS.

**STRUCTURE SUMMARY:**

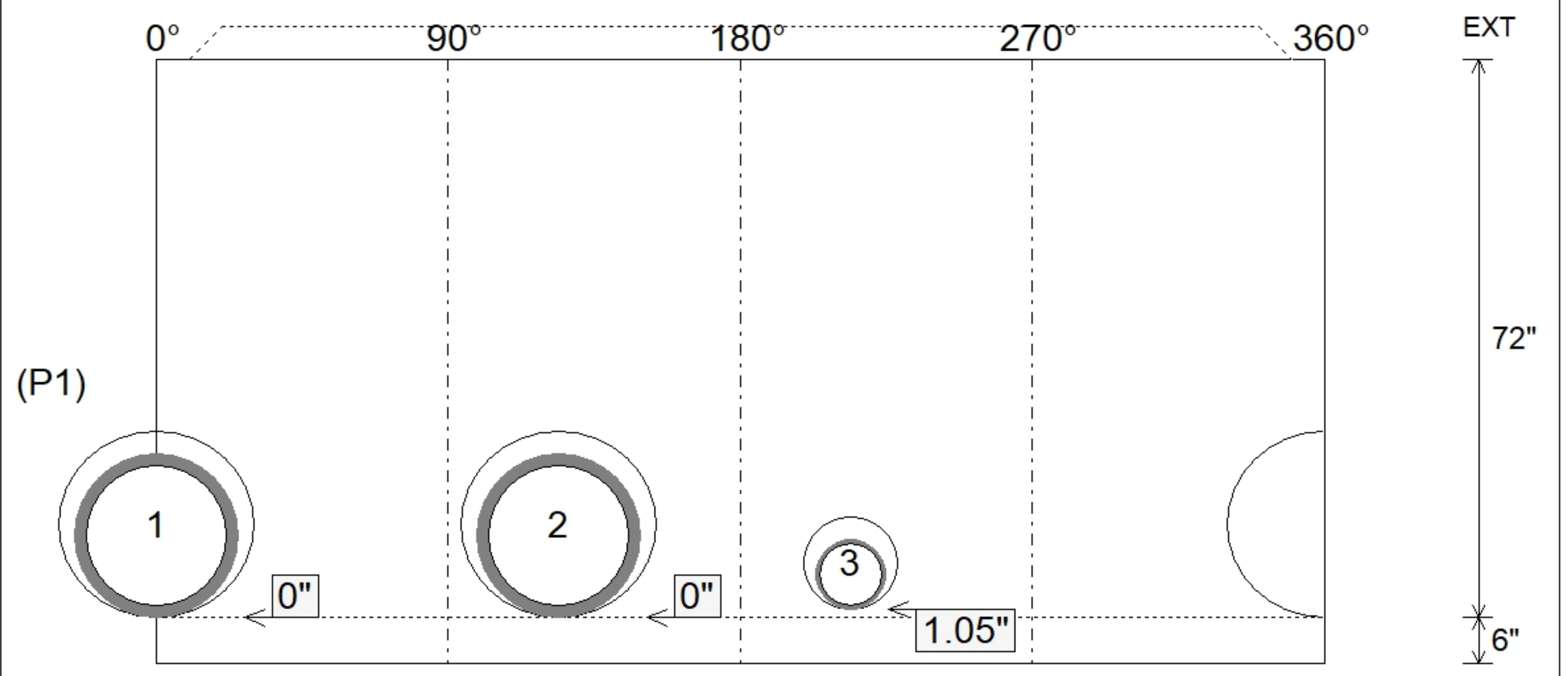
P4) 24" - CASTING HEIGHT - 7"	0 lb
P3) 24" - GRADE RING - 3"	202 lb
P2) 48" - ECC CONE w/ 24" HOLE - 36"	3000 lb
P1) 48" - MH BASE - 72"	5918 lb
1) CASTING - HOE MC-420 F/C Storm LOU-MSD	340 lb
1) 48" - Conseal CS-102 1.00"	0 lb
2) Hole - 24	0 lb
1) Hole - 12	0 lb
9) MH Step ML-10-TDS-NCR - 10"	0 lb
<b>Structure Total:</b>	<b>9460 lb</b>



Position	Elev	Angle	Pipe	Pipe OD	Hole	Connector	Up (L)	Ref
Rim	869.69'							
Reducer								
Invert 1	859.75'	0°	18" HDPE	21.2"	24"	Hole 24	0"	P1
Invert 2	859.75'	124°	18" HDPE	21.2"	24"	Hole 24	0"	P1
Invert 3	859.75'	214°	8" HDPE	9.1"	12"	Hole 12	1.05"	P1
Invert 4								
Invert 5								
Invert 6								
Invert 7								
Invert 8								



**Default - Interior Dimensions**



Submittal Drawing  
 4/24/2026 11:00:51 AM

SUBMITTAL  
 APPROVED BY: