

Job Name: 25-1431 - Georgetown Commons
 Job Location: Georgetown, KY
 Contractor: Winwater Hartford KY Co.

Plant: Beaver Dam

4/23/2026 11:20:05 AM

Tech: J. Coppage

PC: A. Chambers



Structure ID: MH 70

P1 MH048BA72

MH BASE

- P4) 24" - CASTING HEIGHT - 7"
- P3) 24" - GRADE RING - 3"
- P2) 48" - ECC CONE w/ 24" HOLE - 36"
- P1) 48" - MH BASE - 72"
- 1) CASTING - HOE MC-420 F/C Storm LOU-MSD
- 1) 48" - Conseal CS-102 1.00"
- 2) Hole - 24
- 1) Hole - 12
- 9) MH Step ML-10-TDS-NCR - 10"

- Structure Notes:**
1. JR HOE MC-420 PROVIDED BY ICAST.
 2. PER ASTM C478 SPECIFICATIONS.
 3. CONCRETE = 4,000 PSI AT 28 DAYS.
 4. REINFORCING PER ASTM A615 (GRADE 60).
- TOP SLAB (As .62) #5 BARS AT 6" C.C.E.W..
 - RISER/WALLS (As .12)
 - FLOOR (As .31) #5 BARS AT 12" C.C.E.W.

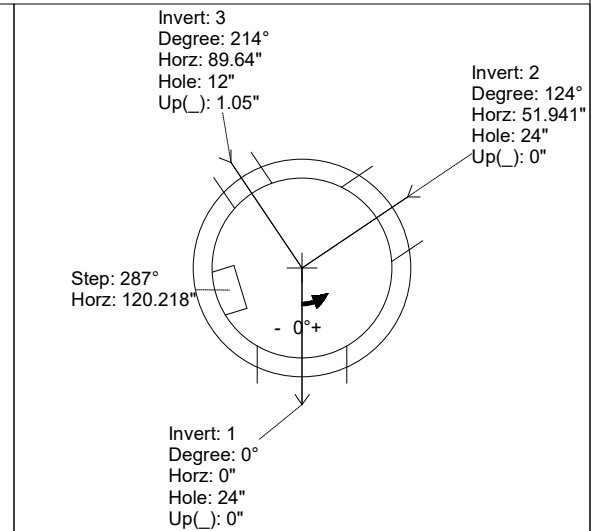
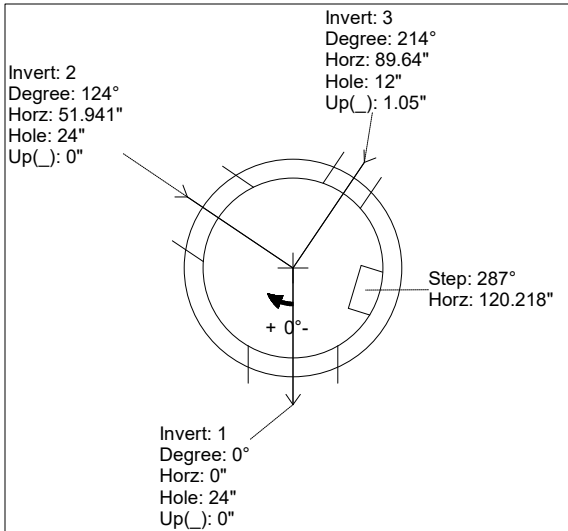
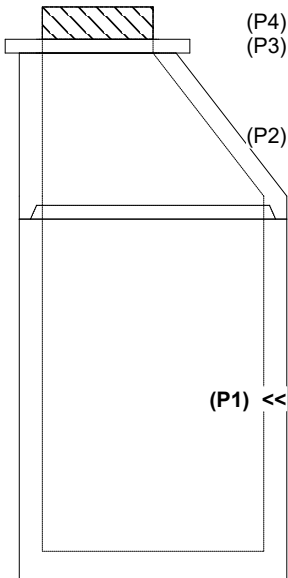
Structure Total: 9460 lb

Rim: 869.69' Rim to Invert: 9.94' Slack: 2.88" Sump: 1.6" Step Position: 287°

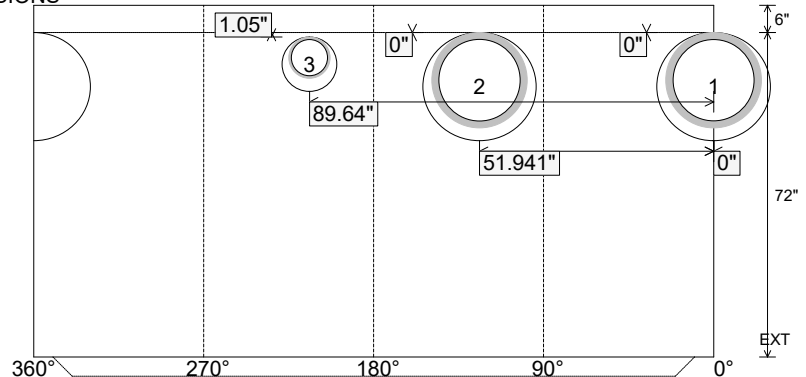
Position	Elev	Angle	Ext. (cw)	Pipe	Pipe OD	Connector	Hole	Horz Size	Up ()	Offset
Invert 1	859.75'	0°	0"	18" HDPE	21.2"	Hole 24	24"	25.133"	0"	0"
Invert 2	859.75'	124°	62.762"	18" HDPE	21.2"	Hole 24	24"	25.133"	0"	0"
Invert 3	859.75'	214°	108.315"	8" HDPE	9.1"	Hole 12	12"	12.129"	1.05"	0"
Invert 4										
Invert 5										
Invert 6										
Invert 7										
Invert 8										

RIGHT-SIDE UP VIEW (int. dimensions)

UPSIDE-DOWN VIEW (int. dimensions)



INSIDE WALL DIMENSIONS



Coating (Int):
 Coating (Ext):

Seam Up: Tongue
 Seam Dn: n/a

Wall Thickness: 5"
 Floor Height: 6"

Height (Int): 72"
 Height (Ext): 78"

Weight (Net): 5918 lb
 Volume (Net): 1.51cu.yd