

Job Name: 25-1431 - Georgetown Commons
Job Location: Georgetown, KY
Contractor: Winwater Hartford KY Co.

PC: A. Chambers
 TECH: J. Coppage
 Plant: Beaver Dam



Structure ID: **MH 6**
 Spec: Storm
 Type: STM.MH
 Size: 60"

Rim: 865.25'
 Invert: 859'
 Rim to Invert: 6.25'

Sump: 2.55"
 Floor (Top): 858.788'
 Floor Height: 8"

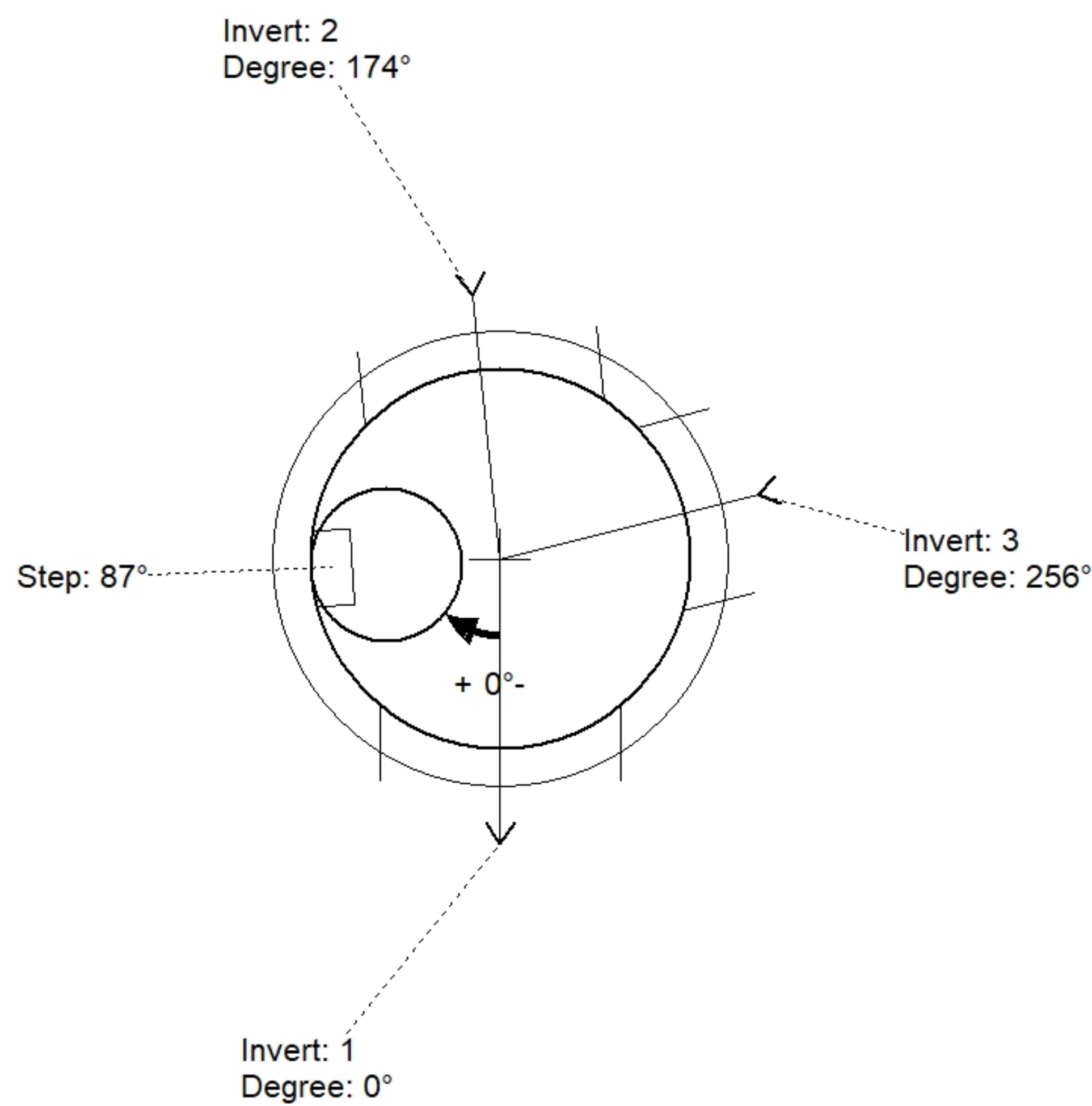
Floor (Bot): 858.121'
 Overall Height: 7'
 Slack: 1.55"

Structure Notes:

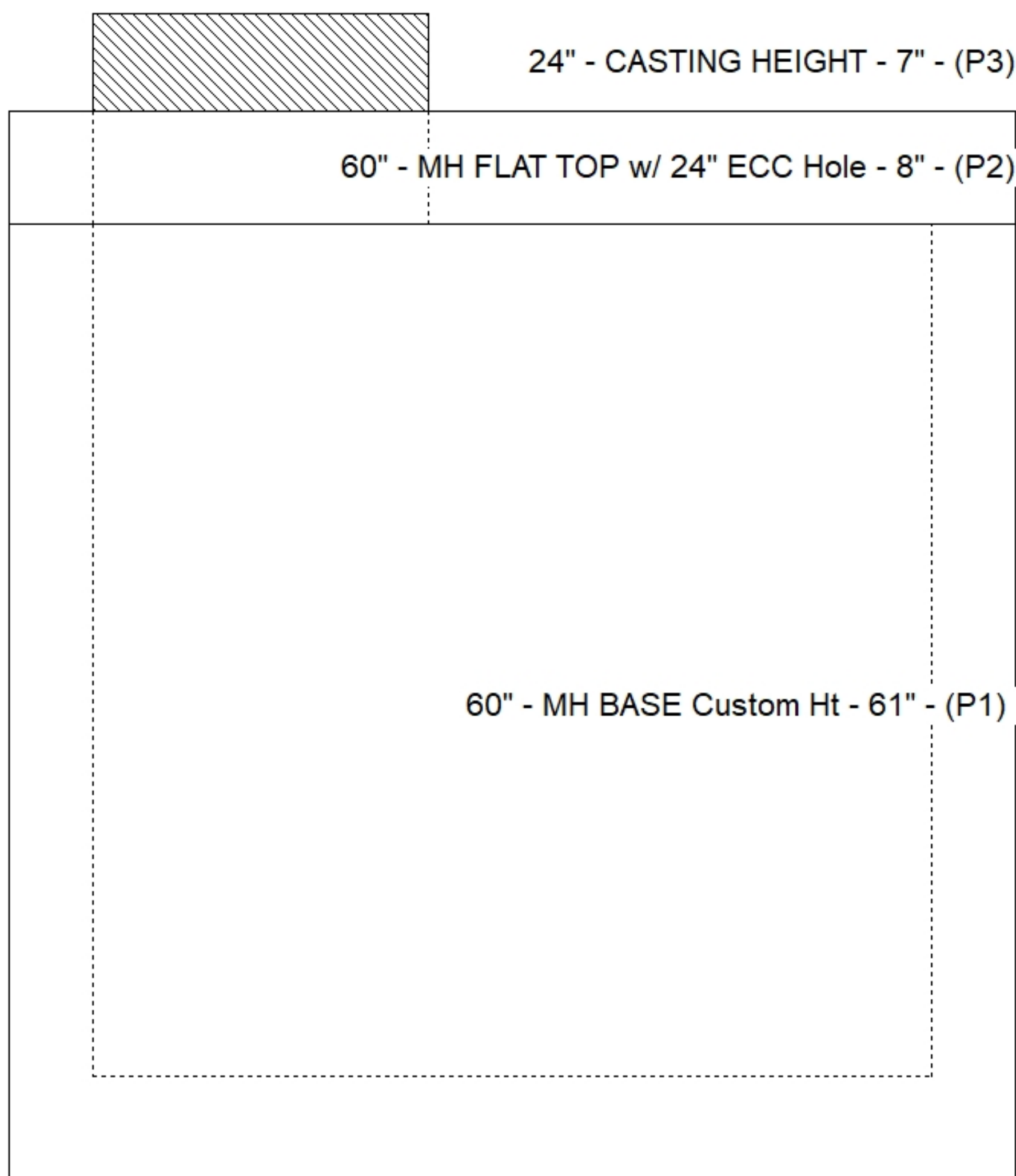
1. JR HOE MC-420 PROVIDED BY ICAST.
2. PER ASTM C478 SPECIFICATIONS.
3. CONCRETE = 4,000 PSI AT 28 DAYS.
4. REINFORCING PER ASTM A615 (GRADE 60).
 - TOP SLAB (As .62) #5 BARS AT 6" C.C.E.W..
 - RISER/WALLS (As .18)
 - FLOOR (As .37) #5 BARS AT 10" C.C.E.W.

STRUCTURE SUMMARY:

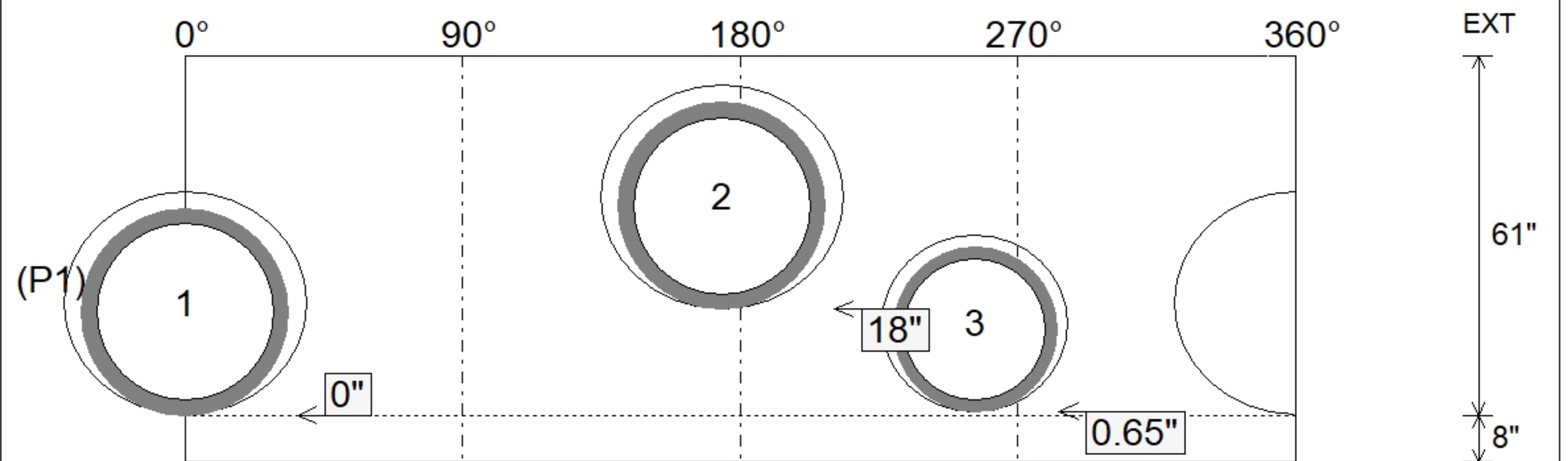
P3) 24" - CASTING HEIGHT - 7"	0 lb
P2) 60" - MH FLAT TOP w/ 24" ECC Hole - 8"	2429 lb
P1) 60" - MH BASE Custom Ht - 61"	7511 lb
1) CASTING - HOE MC-420 F/C Storm LOU-MSD	340 lb
1) 60" - Conseal CS-102 1.00"	0 lb
2) Hole - 38	0 lb
1) Hole - 30	0 lb
5) MH Step ML-10-TDS-NCR - 10"	0 lb
Structure Total:	10281 lb



Position	Elev	Angle	Pipe	Pipe OD	Hole	Connector	Up (")	Ref
Rim	865.25'							
Reducer								
Invert 1	859'	0°	30" HDPE	35.1"	38"	Hole 38	0"	P1
Invert 2	860.5'	174°	30" HDPE	35.1"	38"	Hole 38	18"	P1
Invert 3	859'	256°	24" HDPE	27.8"	30"	Hole 30	0.65"	P1
Invert 4								
Invert 5								
Invert 6								
Invert 7								
Invert 8								



Default - Interior Dimensions



Submittal Drawing
 4/24/2026 11:00:39 AM

SUBMITTAL
 APPROVED BY: