

Job Name: 25-1431 - Georgetown Commons  
 Job Location: Georgetown, KY  
 Contractor: Winwater Hartford KY Co.

Plant: Beaver Dam

Tech: J. Coppage

4/23/2026 11:19:40 AM

PC: A. Chambers



**Structure ID: MH 4**

**P1 MH048BA48**

**MH BASE**

- P4) 24" - CASTING HEIGHT - 7"
- P3) 24" - GRADE RING - 3"
- P2) 48" - ECC CONE w/ 24" HOLE - 36"
- P1) 48" - MH BASE - 48"
- 1) CASTING - HOE MC-420 F/C Storm LOU-MSD
- 1) 48" - Conseal CS-102 1.00"
- 2) Hole - 30
- 7) MH Step ML-10-TDS-NCR - 10"

- Structure Notes:**
1. JR HOE MC-420 PROVIDED BY ICAST.
  2. PER ASTM C478 SPECIFICATIONS.
  3. CONCRETE = 4,000 PSI AT 28 DAYS.
  4. REINFORCING PER ASTM A615 (GRADE 60).
    - TOP SLAB (As .62) #5 BARS AT 6" C.C.E.W..
    - RISER/WALLS (As .12)
    - FLOOR (As .31) #5 BARS AT 12" C.C.E.W.

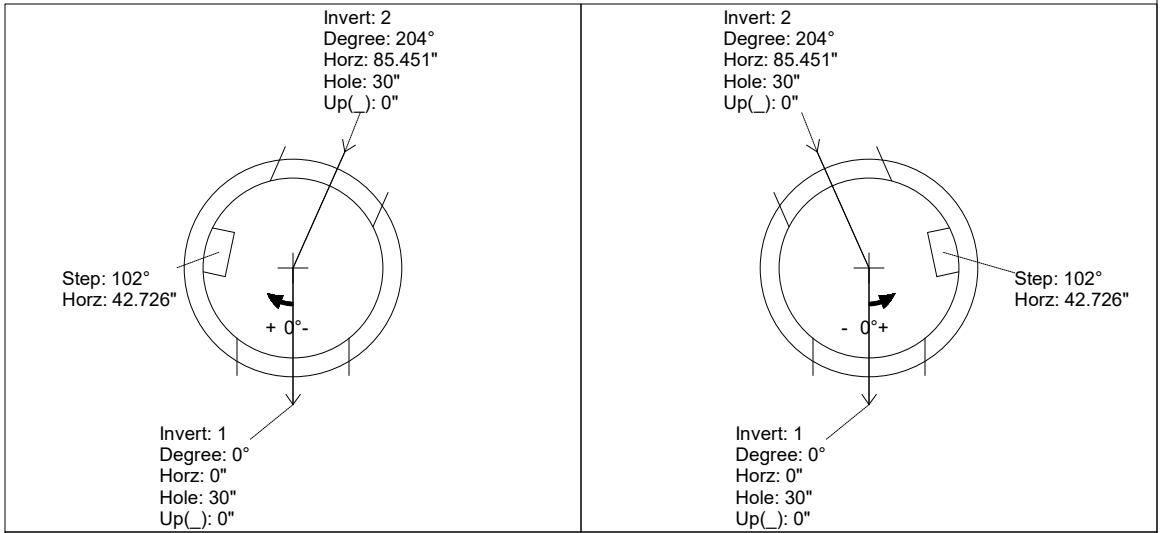
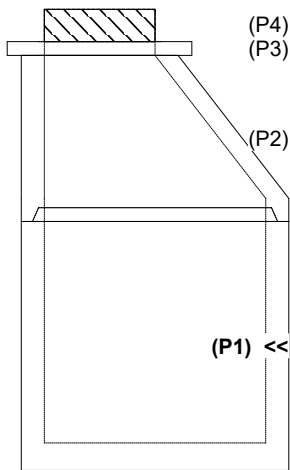
Structure Total: 7594 lb

Rim: 868.25' Rim to Invert: 7.75' Slack: 0.9" Sump: 1.9" Step Position: 102°

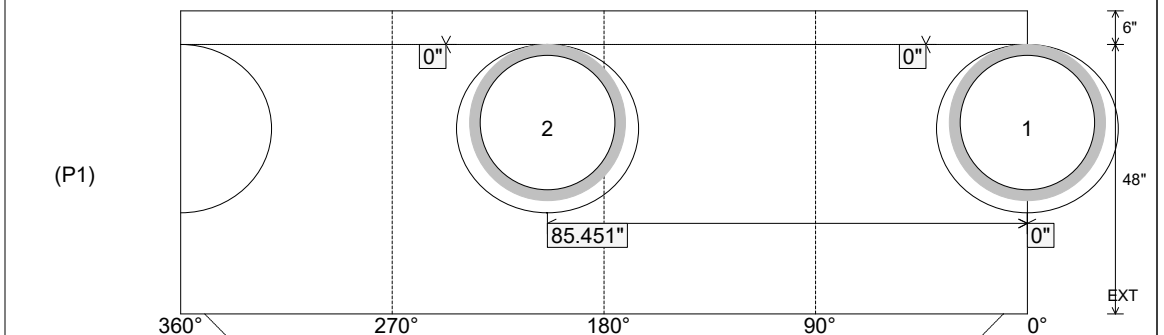
Position	Elev	Angle	Ext. (cw)	Pipe	Pipe OD	Connector	Hole	Horz Size	Up ( )	Offset
Invert 1	860.5'	0°	0"	24" HDPE	27.8"	Hole 30	30"	32.406"	0"	0"
Invert 2	860.5'	204°	103.254"	24" HDPE	27.8"	Hole 30	30"	32.406"	0"	0"
Invert 3										
Invert 4										
Invert 5										
Invert 6										
Invert 7										
Invert 8										

RIGHT-SIDE UP VIEW (int. dimensions)

UPSIDE-DOWN VIEW (int. dimensions)



INSIDE WALL DIMENSIONS



Coating (Int):  
 Coating (Ext):

Seam Up: Tongue  
 Seam Dn: n/a

Wall Thickness: 5"  
 Floor Height: 6"

Height (Int): 48"  
 Height (Ext): 54"

Weight (Net): 4051 lb  
 Volume (Net): 1.03cu.yd