

Job Name: 25-1431 - Georgetown Commons
Job Location: Georgetown, KY
Contractor: Winwater Hartford KY Co.

PC: A. Chambers
 TECH: J. Coppage
 Plant: Beaver Dam



Structure ID: **MH 36**
 Spec: Storm
 Type: STM.MH
 Size: 96"

Rim: 866.15'
 Invert: 856'
 Rim to Invert: 10.15'

Sump: 2.95"
 Floor (Top): 855.754'
 Floor Height: 8"

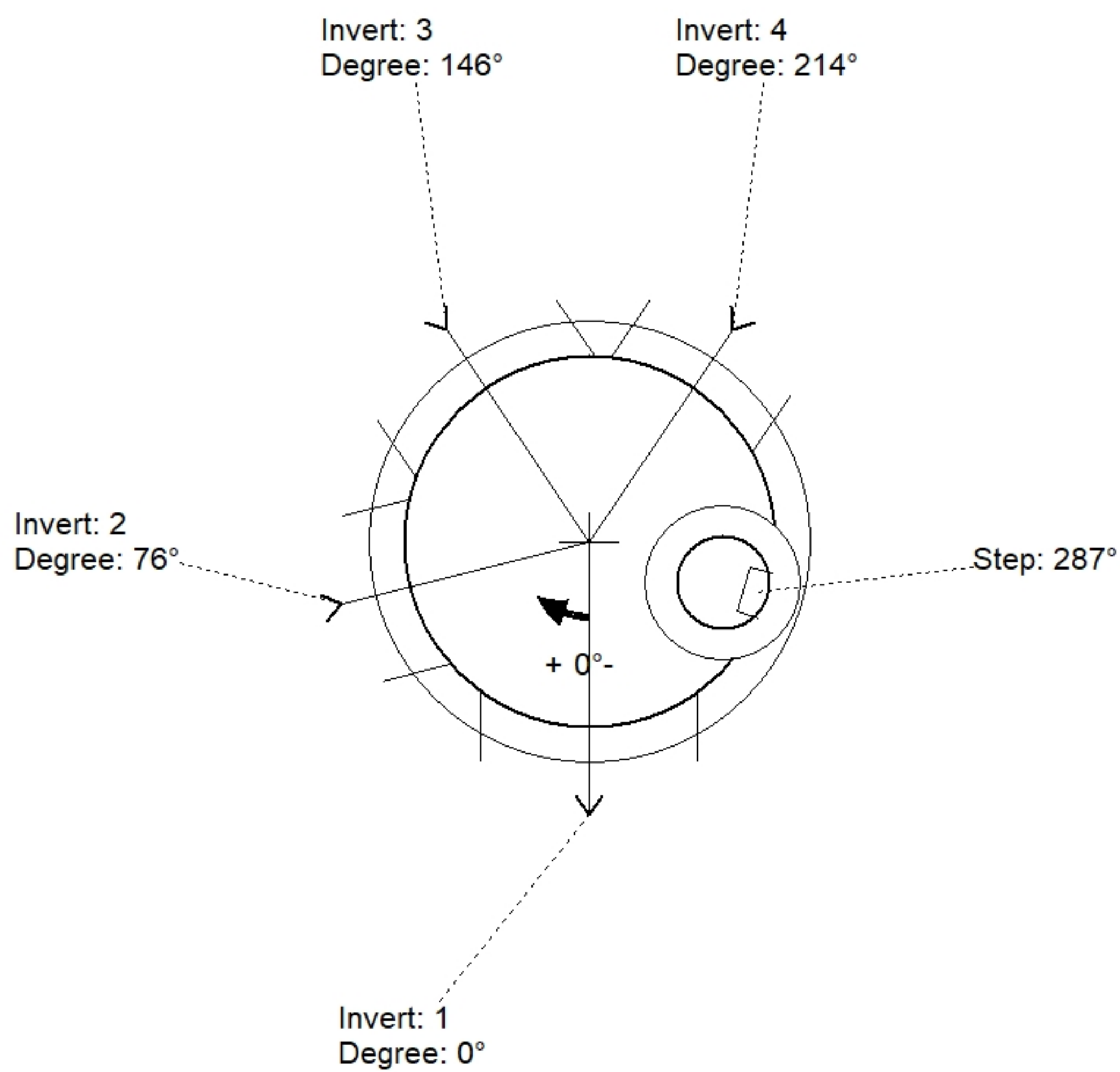
Floor (Bot): 855.088'
 Overall Height: 10.917'
 Slack: 1.75"

Structure Notes:

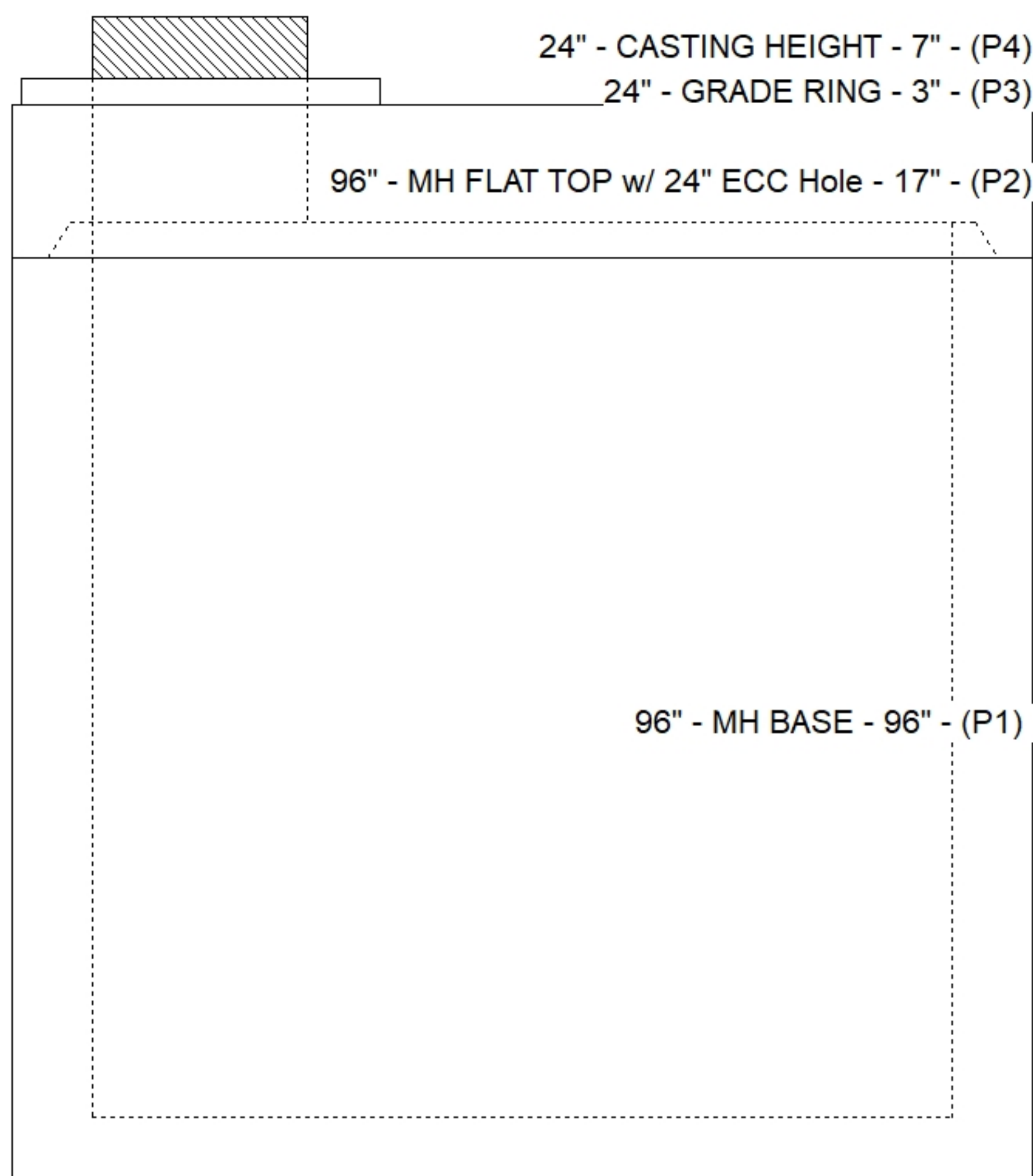
1. JR HOE MC-420 PROVIDED BY ICAST.
2. PER ASTM C478 SPECIFICATIONS.
3. CONCRETE = 4,000 PSI AT 28 DAYS.
4. REINFORCING PER ASTM A615 (GRADE 60).
 - TOP SLAB (As .62) #5 BARS AT 6" C.C.E.W..
 - RISER/WALLS (As .18)
 - FLOOR (As .37) #5 BARS AT 10" C.C.E.W.

STRUCTURE SUMMARY:

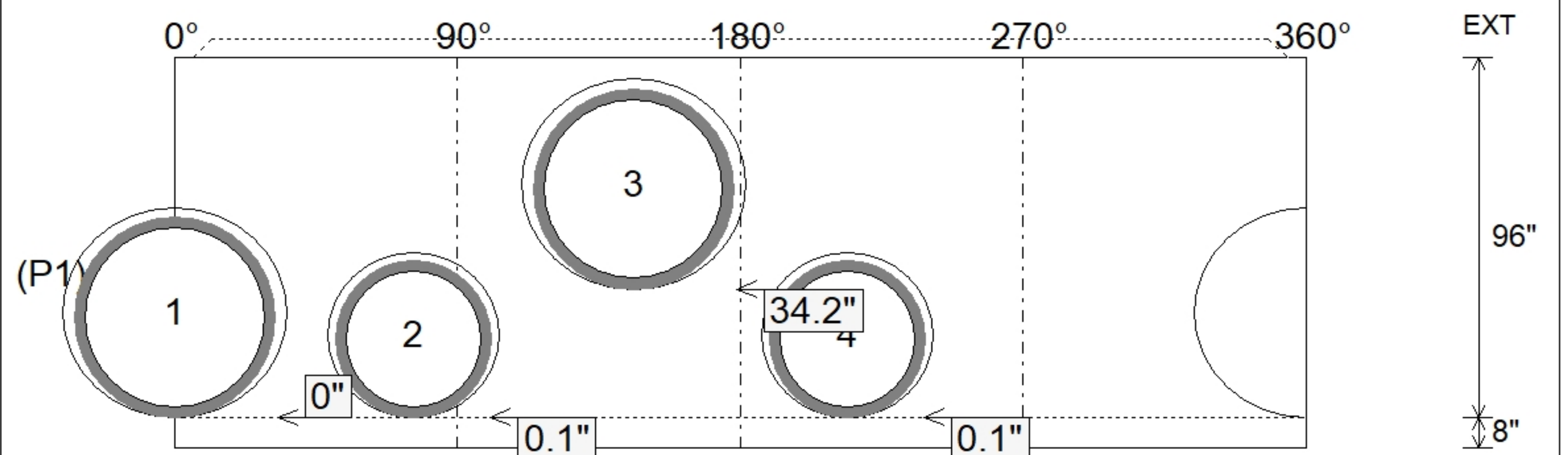
P4) 24" - CASTING HEIGHT - 7"	0 lb
P3) 24" - GRADE RING - 3"	202 lb
P2) 96" - MH FLAT TOP w/ 24" ECC Hole - 17"	10472 lb
P1) 96" - MH BASE - 96"	24465 lb
1) CASTING - HOE MC-420 F/C Storm LOU-MSD	340 lb
2) Hole - 56	0 lb
2) Hole - 44	0 lb
8) MH Step ML-10-TDS-NCR - 10"	0 lb
Structure Total:	35480 lb



Position	Elev	Angle	Pipe	Pipe OD	Hole	Connector	Up (")	Ref
Rim	866.15'							
Reducer								
Invert 1	856'	0°	48" HDPE	53.5"	56"	Hole 56	0"	P1
Invert 2	856'	76°	36" HDPE	41.7"	44"	Hole 44	0.1"	P1
Invert 3	858.85'	146°	48" HDPE	53.5"	56"	Hole 56	34.2"	P1
Invert 4	856'	214°	36" HDPE	41.7"	44"	Hole 44	0.1"	P1
Invert 5								
Invert 6								
Invert 7								
Invert 8								



Default - Interior Dimensions



Submittal Drawing
 4/10/2026 10:35:16 AM

SUBMITTAL
 APPROVED BY: