

Job Name: 25-1431 - Georgetown Commons
Job Location: Georgetown, KY
Contractor: Winwater Hartford KY Co.

PC: A. Chambers
 TECH: J. Coppage
 Plant: Beaver Dam



Structure ID: **MH 341**
 Spec: Storm
 Type: STM.MH
 Size: 72"

Rim: 858.8'
 Invert: 853.1'
 Rim to Invert: 5.7'

Sump: 4.5"
 Floor (Top): 852.725'
 Floor Height: 8"

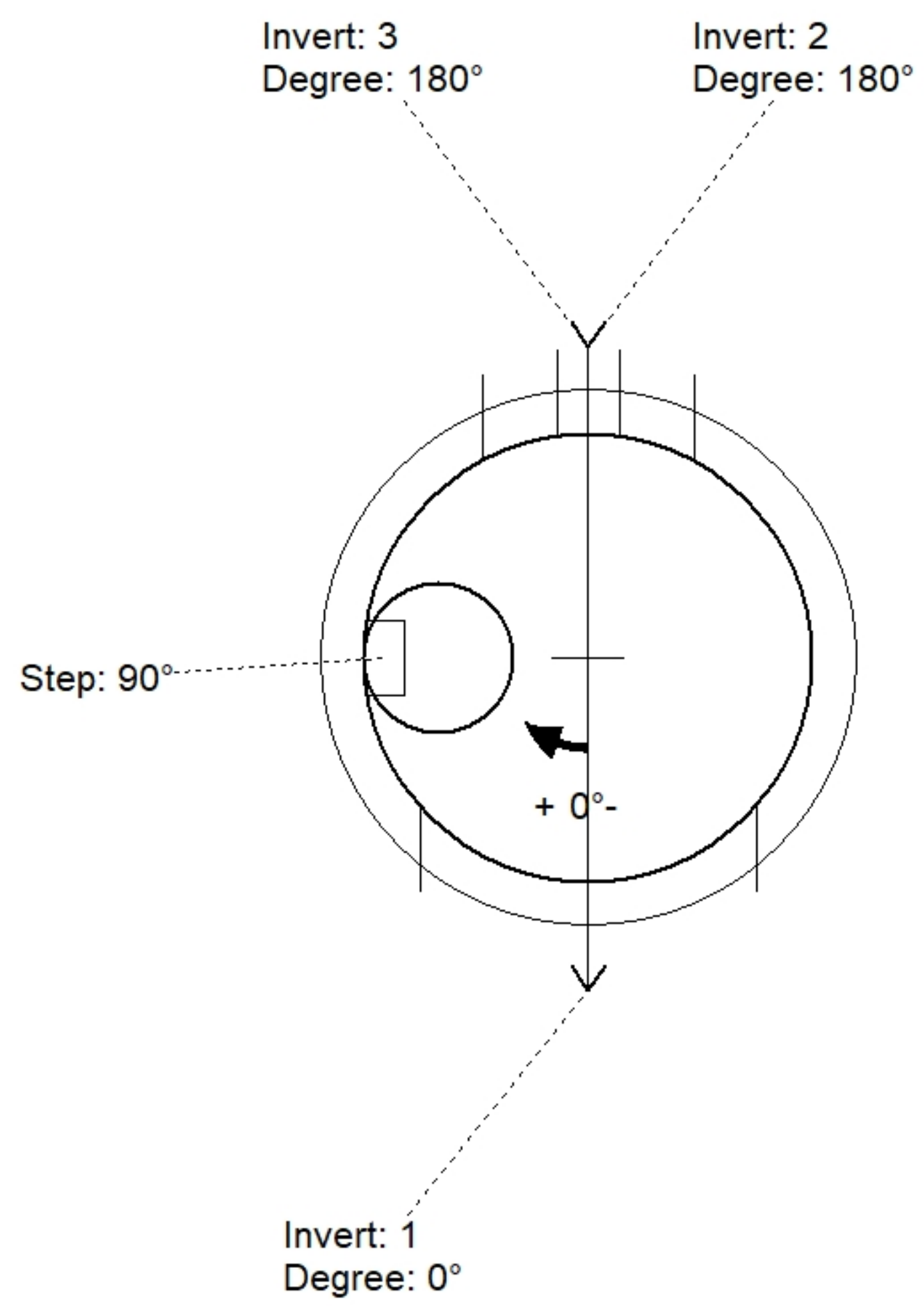
Floor (Bot): 852.058'
 Overall Height: 6.583'
 Slack: 1.9"

Structure Notes:

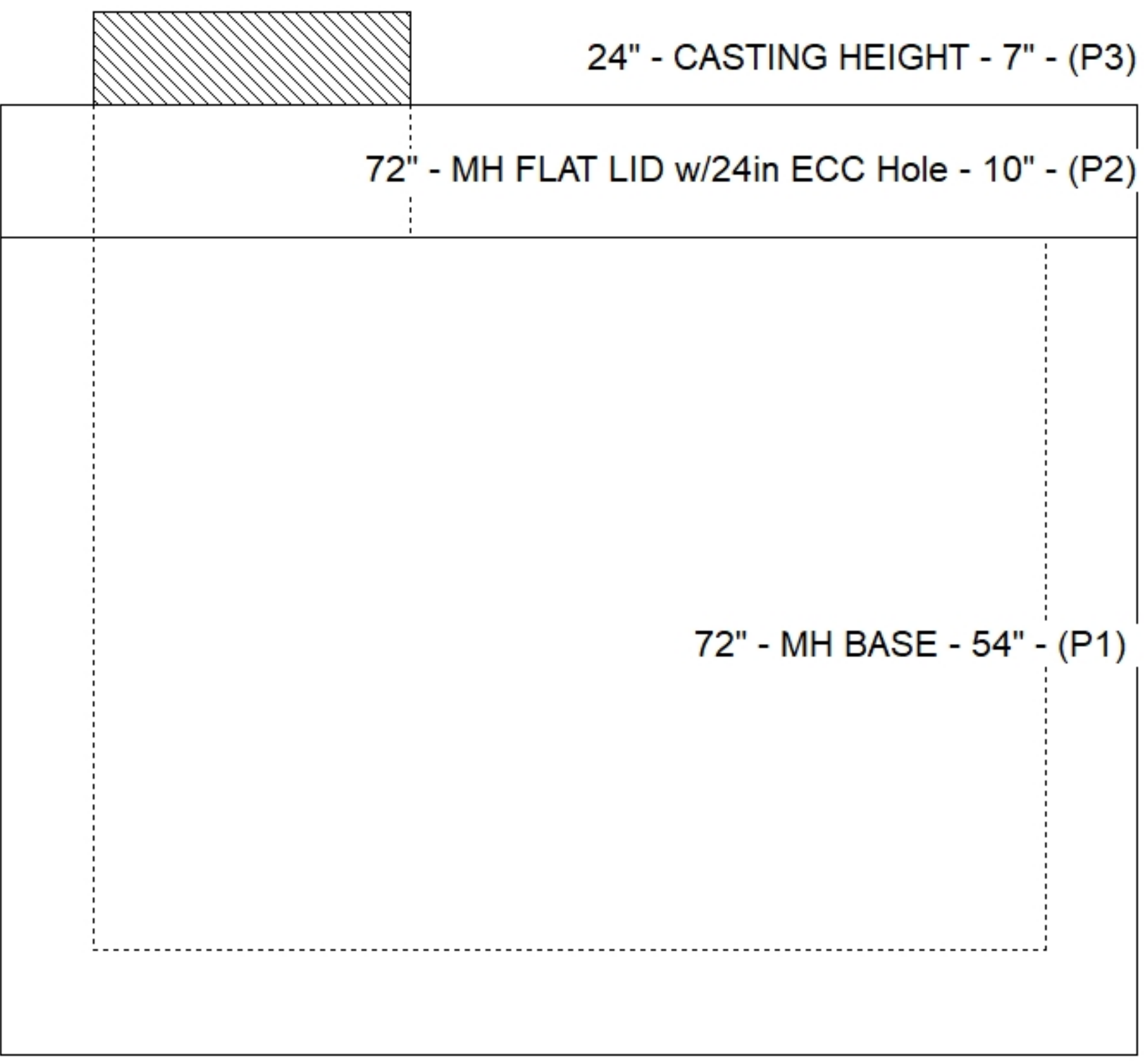
1. JR HOE MC-420 PROVIDED BY ICAST.
2. PER ASTM C478 SPECIFICATIONS.
3. CONCRETE = 4,000 PSI AT 28 DAYS.
4. REINFORCING PER ASTM A615 (GRADE 60).
 - TOP SLAB (As .62) #5 BARS AT 6" C.C.E.W..
 - RISER/WALLS (As .18)
 - FLOOR (As .37) #5 BARS AT 10" C.C.E.W.

STRUCTURE SUMMARY:

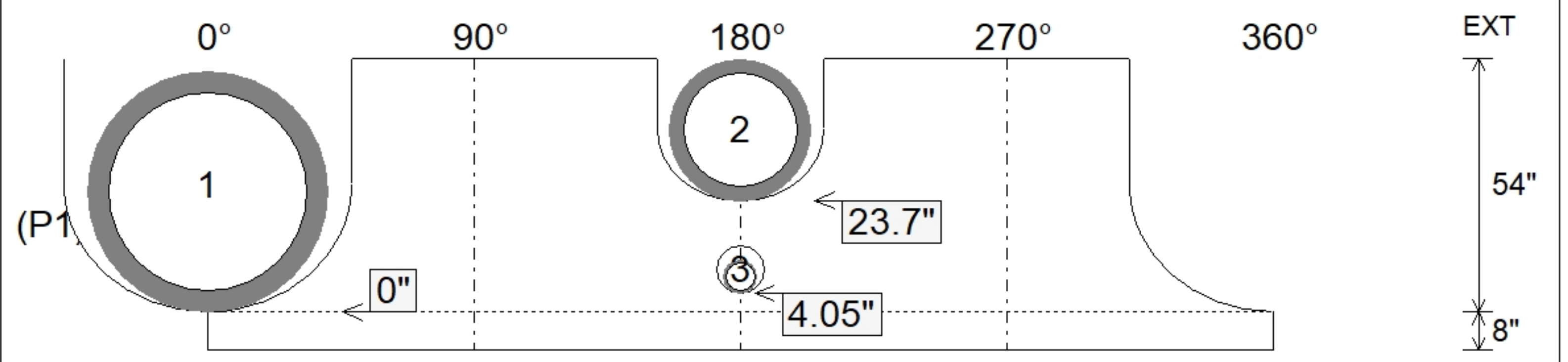
P3) 24" - CASTING HEIGHT - 7"	0 lb
P2) 72" - MH FLAT LID w/24in ECC Hole - 10"	4495 lb
P1) 72" - MH BASE - 54"	9475 lb
1) CASTING - HOE MC-420 F/C Storm LOU-MSD	340 lb
1) 72" - Conseal CS-102 1.00"	0 lb
1) DOGHOUSE INVRTD - 54"x54"	0 lb
1) DOGHOUSE INVRTD - 34"x30"	0 lb
1) Hole - 10	0 lb
4) MH Step ML-10-TDS-NCR - 10"	0 lb
Structure Total:	14309 lb



Position	Elev	Angle	Pipe	Pipe OD	Hole	Connector	Up (")	Ref
Rim	858.8'							
Reducer								
Invert 1	853.1'	0°	42" RCP B WALL	51"	54" x 54"	DOGHOUSE INVRTD 54"x54"	0"	P1
Invert 2	854.95'	180°	24" RCP B WALL	30"	34" x 30"	DOGHOUSE INVRTD 34"x30"	23.7"	P1
Invert 3	853.1'	180°	6" HDPE (perf pipe)	6.9"	10"	Hole 10	4.05"	P1
Invert 4								
Invert 5								
Invert 6								
Invert 7								
Invert 8								



Default - Interior Dimensions



Submittal Drawing
 4/10/2026 10:35:22 AM

SUBMITTAL
 APPROVED BY: