

**Job Name: 25-1431 - Georgetown Commons**  
**Job Location: Georgetown, KY**  
**Contractor: Winwater Hartford KY Co.**

PC: A. Chambers  
 TECH: J. Coppage  
 Plant: Beaver Dam



Structure ID: **MH 329**  
 Spec: Storm  
 Type: STM.MH  
 Size: 96"

Rim: 869.5'  
 Invert: 856.8'  
 Rim to Invert: 12.7'

Sump: 6"  
 Floor (Top): 856.3'  
 Floor Height: 8"

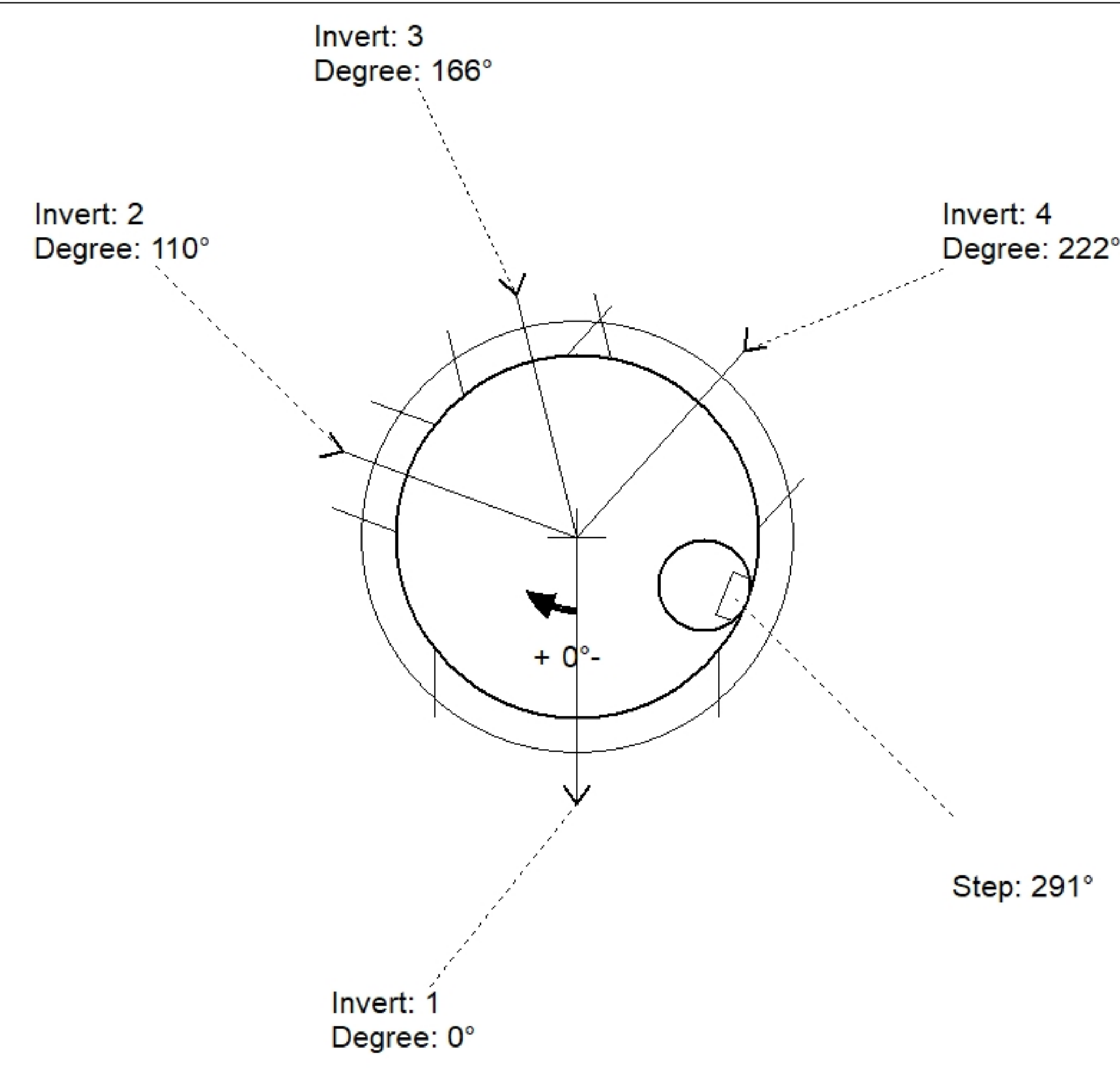
Floor (Bot): 855.633'  
 Overall Height: 13.667'  
 Slack: 2.4"

**Structure Notes:**

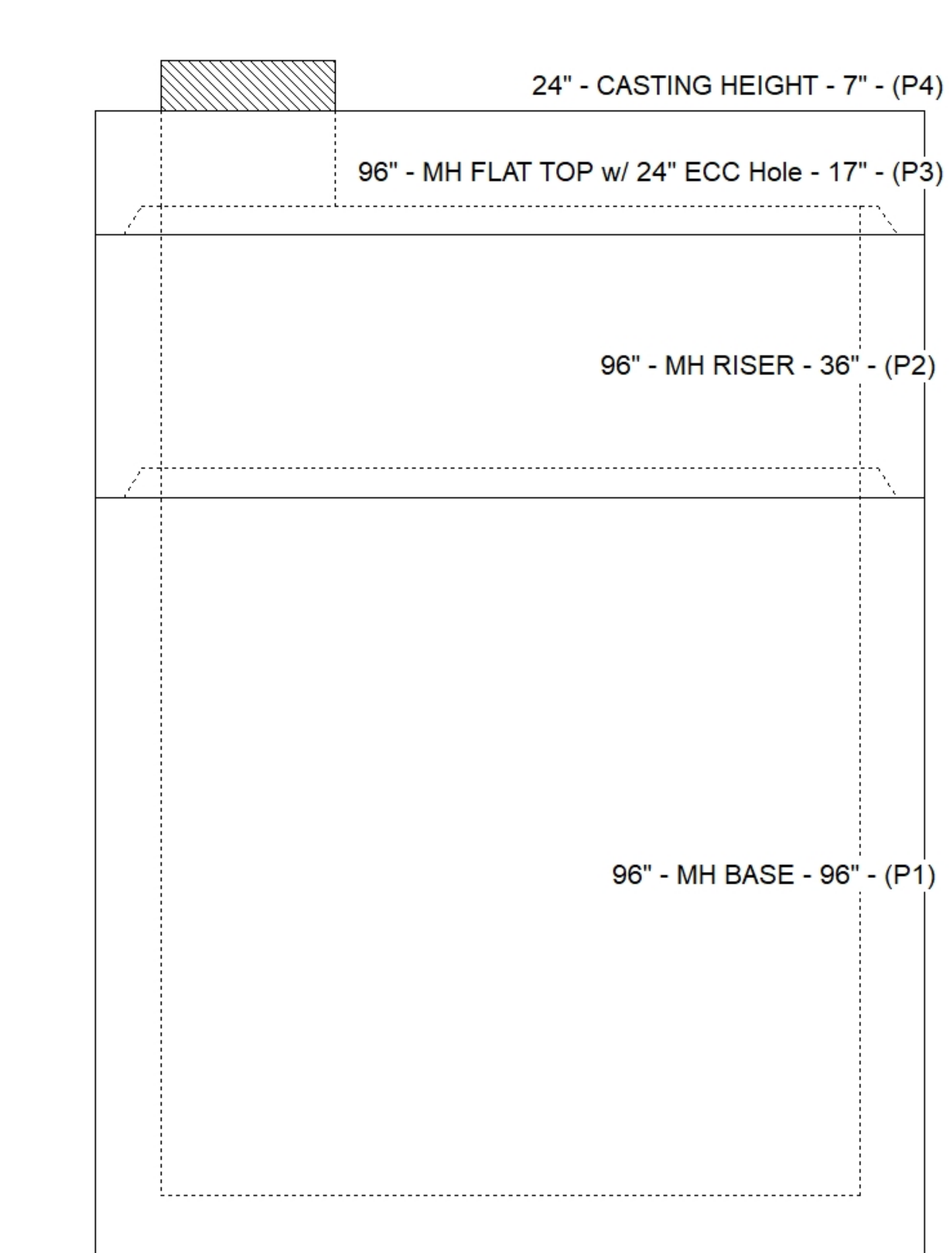
1. JR HOE MC-420 PROVIDED BY ICAST.
2. PER ASTM C478 SPECIFICATIONS.
3. CONCRETE = 4,000 PSI AT 28 DAYS.
4. REINFORCING PER ASTM A615 (GRADE 60).
  - TOP SLAB (As .62) #5 BARS AT 6" C.C.E.W..
  - RISER/WALLS (As .18)
  - FLOOR (As .37) #5 BARS AT 10" C.C.E.W.

**STRUCTURE SUMMARY:**

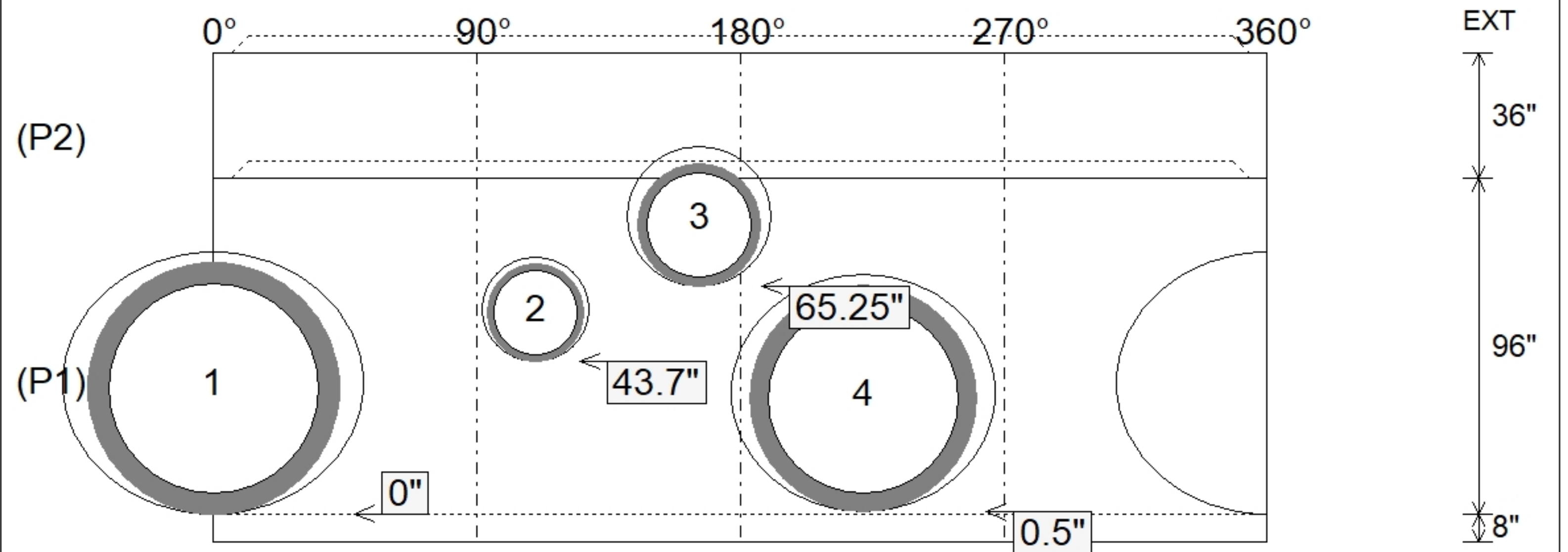
P4) 24" - CASTING HEIGHT - 7"	0 lb
P3) 96" - MH FLAT TOP w/ 24" ECC Hole - 17"	10472 lb
P2) 96" - MH RISER - 36"	8798 lb
P1) 96" - MH BASE - 96"	22694 lb
1) CASTING - HOE MC-420 F/C Storm LOU-MSD	340 lb
2) 96" - Conseal CS-102 1.00"	0 lb
1) Hole - 75	0 lb
1) Hole - 30	0 lb
1) Hole - 40	0 lb
1) Hole - 68	0 lb
11) MH Step ML-10-TDS-NCR - 10"	0 lb
<b>Structure Total:</b>	<b>42303 lb</b>



Position	Elev	Angle	Pipe	Pipe OD	Hole	Connector	Up (")	Ref
Rim	869.5'							
Reducer								
Invert 1	856.8'	0°	60" RCP B WALL	72"	75"	Hole 75	0"	P1
Invert 2	860.1'	110°	24" HDPE	27.8"	30"	Hole 30	43.7"	P1
Invert 3	861.95'	166°	30" HDPE	35.1"	40"	Hole 40	65.25"	P1
Invert 4	856.8'	222°	54" RCP B WALL	65"	68"	Hole 68	0.5"	P1
Invert 5								
Invert 6								
Invert 7								
Invert 8								



**Default - Interior Dimensions**



Submittal Drawing  
 4/10/2026 10:35:21 AM

SUBMITTAL  
 APPROVED BY: