

Job Name: 25-1431 - Georgetown Commons
Job Location: Georgetown, KY
Contractor: Winwater Hartford KY Co.

PC: A. Chambers
 TECH: J. Coppage
 Plant: Beaver Dam



Structure ID: **MH 328**
 Spec: Storm
 Type: STM.MH Transition
 Size: 84"

Rim: 872.65'
 Invert: 857.5'
 Rim to Invert: 15.15'

Sump: 5.5"
 Floor (Top): 857.042'
 Floor Height: 8"

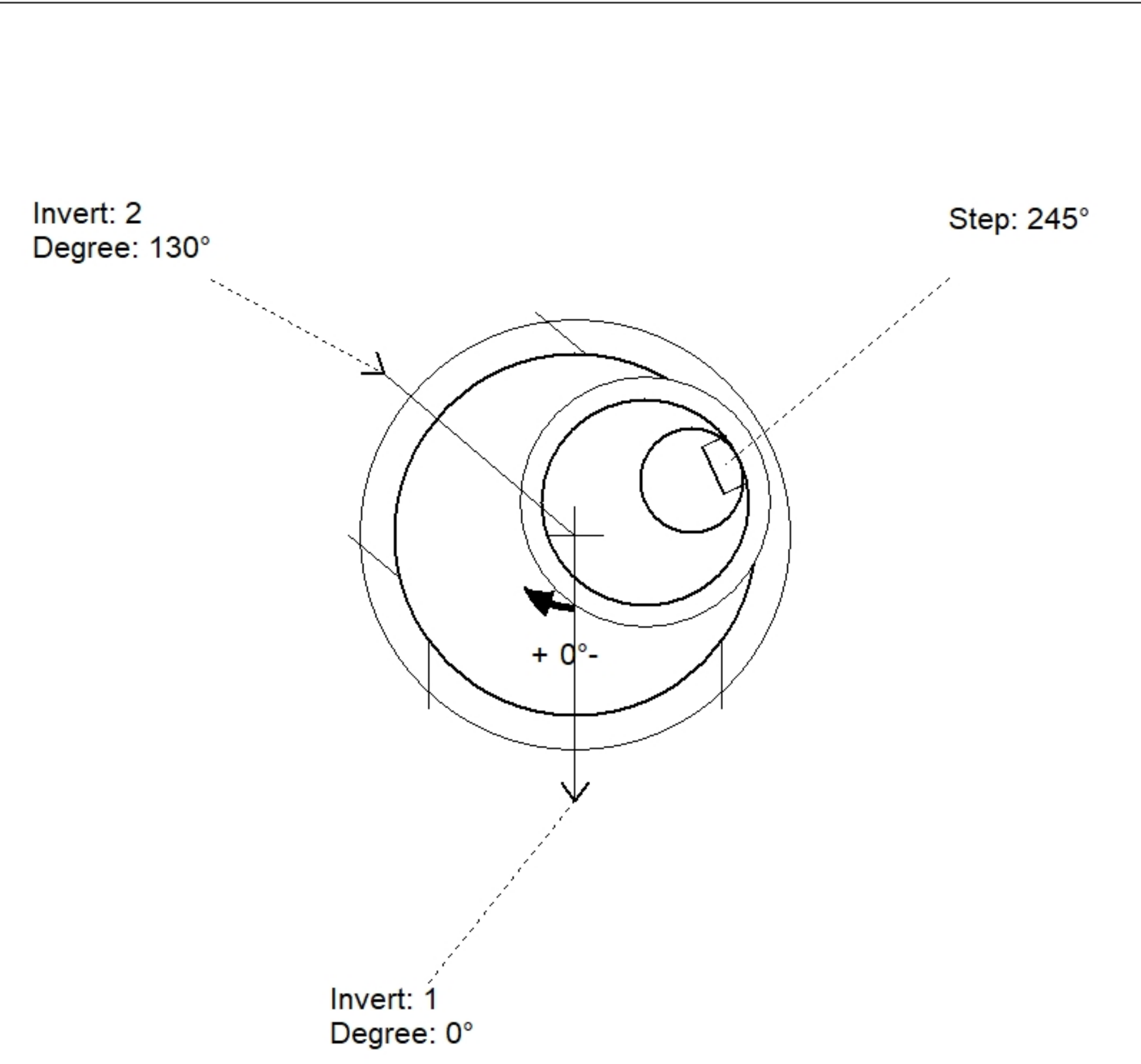
Floor (Bot): 856.375'
 Overall Height: 16.083'
 Slack: 2.3"

Structure Notes:

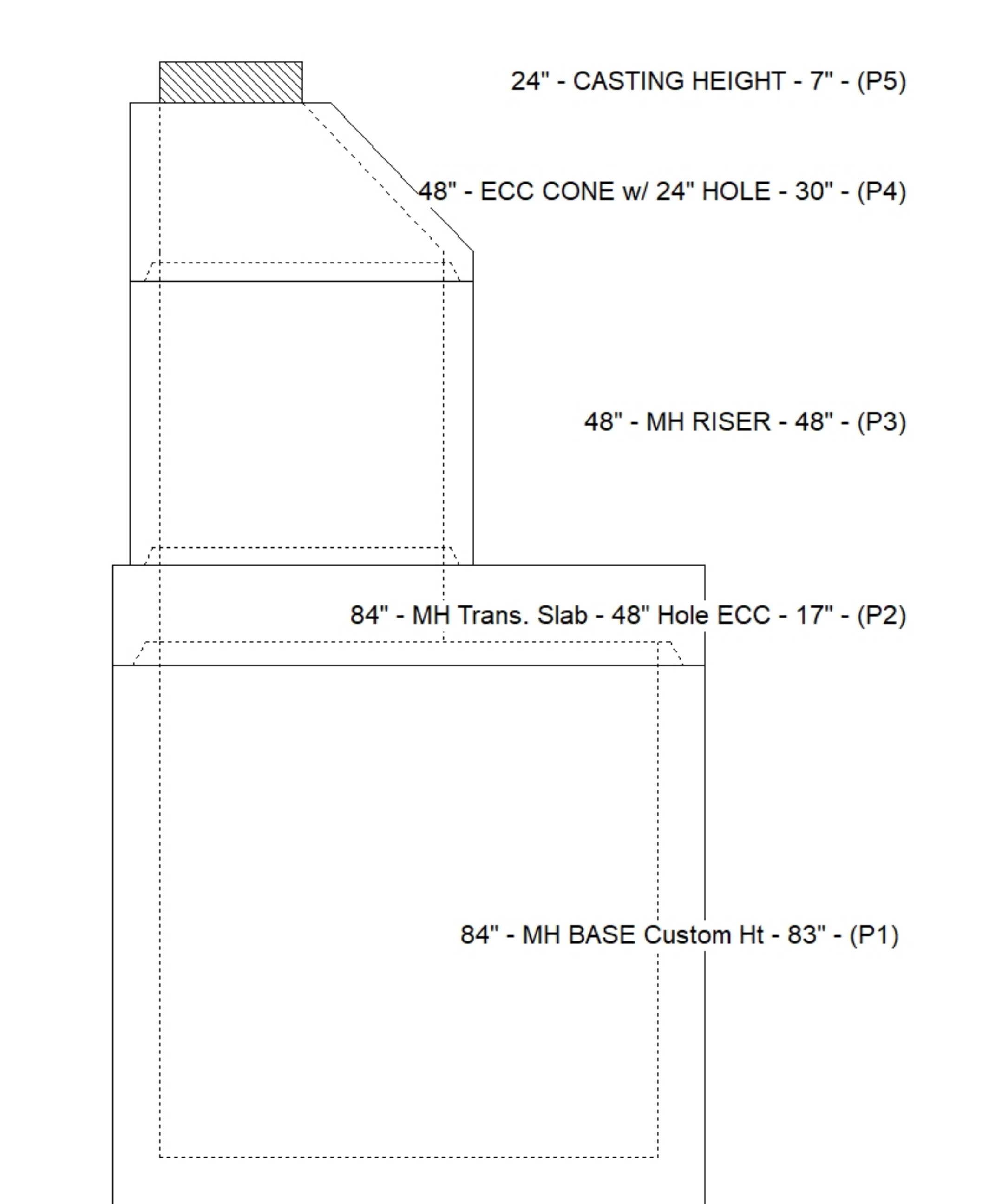
1. JR HOE MC-420 PROVIDED BY ICAST.
2. PER ASTM C478 SPECIFICATIONS.
3. CONCRETE = 4,000 PSI AT 28 DAYS.
4. REINFORCING PER ASTM A615 (GRADE 60).
 - TOP SLAB (As .62) #5 BARS AT 6" C.C.E.W..
 - RISER/WALLS (As .18)
 - FLOOR (As .37) #5 BARS AT 10" C.C.E.W.

STRUCTURE SUMMARY:

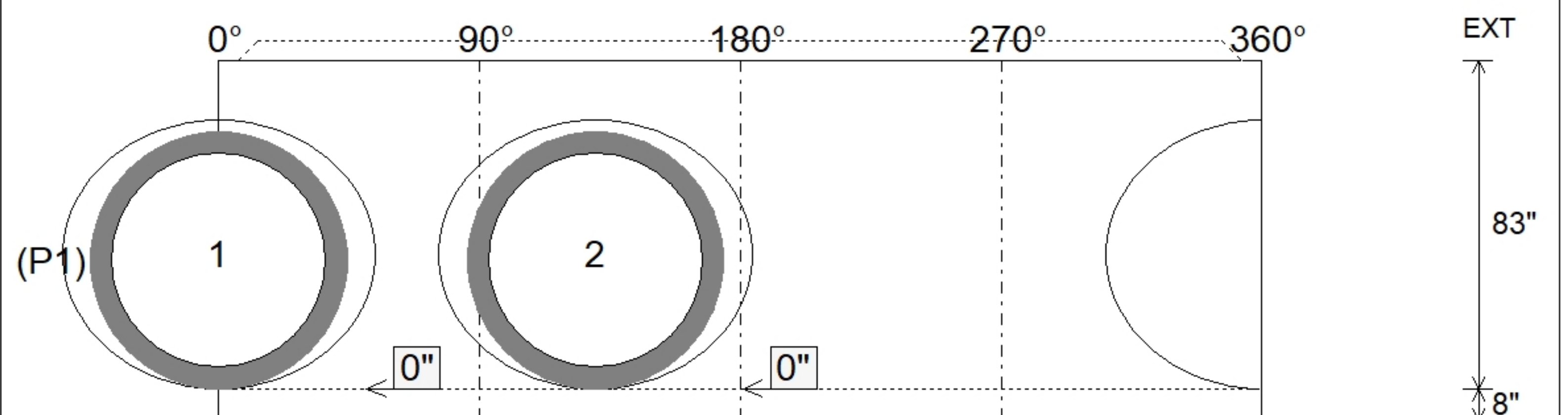
P5) 24" - CASTING HEIGHT - 7"	0 lb
P4) 48" - ECC CONE w/ 24" HOLE - 30"	2050 lb
P3) 48" - MH RISER - 48"	3353 lb
P2) 84" - MH Trans. Slab - 48" Hole ECC - 17"	5869 lb
P1) 84" - MH BASE Custom Ht - 83"	15854 lb
1) CASTING - HOE MC-420 F/C Storm LOU-MSD	340 lb
1) 84" - Conseal CS-102 1.00"	0 lb
2) 48" - Conseal CS-102 1.00"	0 lb
2) Hole - 68	0 lb
14) MH Step ML-10-TDS-NCR - 10"	0 lb
Structure Total:	27466 lb



Position	Elev	Angle	Pipe	Pipe OD	Hole	Connector	Up ()	Ref
Rim	872.65'							
Reducer	863.958'							
Invert 1	857.5'	0°	54" RCP B WALL	65"	68"	Hole 68	0"	P1
Invert 2	857.5'	130°	54" RCP B WALL	65"	68"	Hole 68	0"	P1
Invert 3								
Invert 4								
Invert 5								
Invert 6								
Invert 7								
Invert 8								



Default - Interior Dimensions



Submittal Drawing
 4/24/2026 11:01:11 AM

SUBMITTAL
 APPROVED BY: