

Job Name: 25-1431 - Georgetown Commons  
 Job Location: Georgetown, KY  
 Contractor: Winwater Hartford KY Co.

Plant: Beaver Dam  
 4/23/2026 11:30:54 AM

Tech: J. Copping  
 PC: A. Chambers



**Structure ID: MH 328**

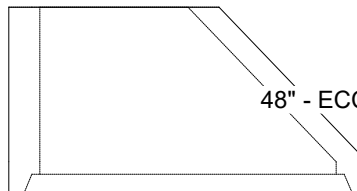
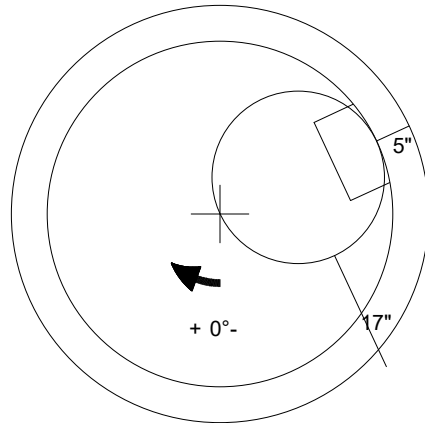
**P4 MH048CN30**

**ECC CONE w/ 24" HOLE**

- P5) 24" - CASTING HEIGHT - 7"
- P4) 48" - ECC CONE w/ 24" HOLE - 30"
- P3) 48" - MH RISER - 48"
- P2) 84" - MH Trans. Slab - 48" Hole ECC - 17"
- P1) 84" - MH BASE Custom Ht - 83"
- 1) CASTING - HOE MC-420 F/C Storm LOU-MSD
- 1) 84" - Conseal CS-102 1.00"
- 2) 48" - Conseal CS-102 1.00"
- 2) Hole - 68
- 14) MH Step ML-10-TDS-NCR - 10"

- Structure Notes:**
1. JR HOE MC-420 PROVIDED BY ICAST.
  2. PER ASTM C478 SPECIFICATIONS.
  3. CONCRETE = 4,000 PSI AT 28 DAYS.
  4. REINFORCING PER ASTM A615 (GRADE 60).  
 - TOP SLAB (As .62) #5 BARS AT 6" C.C.E.W..  
 - RISER/WALLS (As .18)  
 - FLOOR (As .37) #5 BARS AT 10" C.C.E.W.

Structure Total: 27466 lb



48" - ECC CONE w/ 24" HOLE - 30" - (P4)

Coating (Int):  
 Coating (Ext):

Seam Up: Flat  
 Seam Dn: Groove

Wall Thickness: 5"

Height (Ext): 30"

Weight (Net): 2050 lb  
 Volume (Net): 0.41cu.yd