

**Job Name: 25-1431 - Georgetown Commons**  
**Job Location: Georgetown, KY**  
**Contractor: Winwater Hartford KY Co.**

PC: A. Chambers  
 TECH: J. Coppage  
 Plant: Beaver Dam



Structure ID: **MH 327**  
 Spec: Storm  
 Type: STM.MH  
 Size: 84"

Rim: 870.8'  
 Invert: 858.05'  
 Rim to Invert: 12.75'

Sump: 5.5"  
 Floor (Top): 857.592'  
 Floor Height: 8"

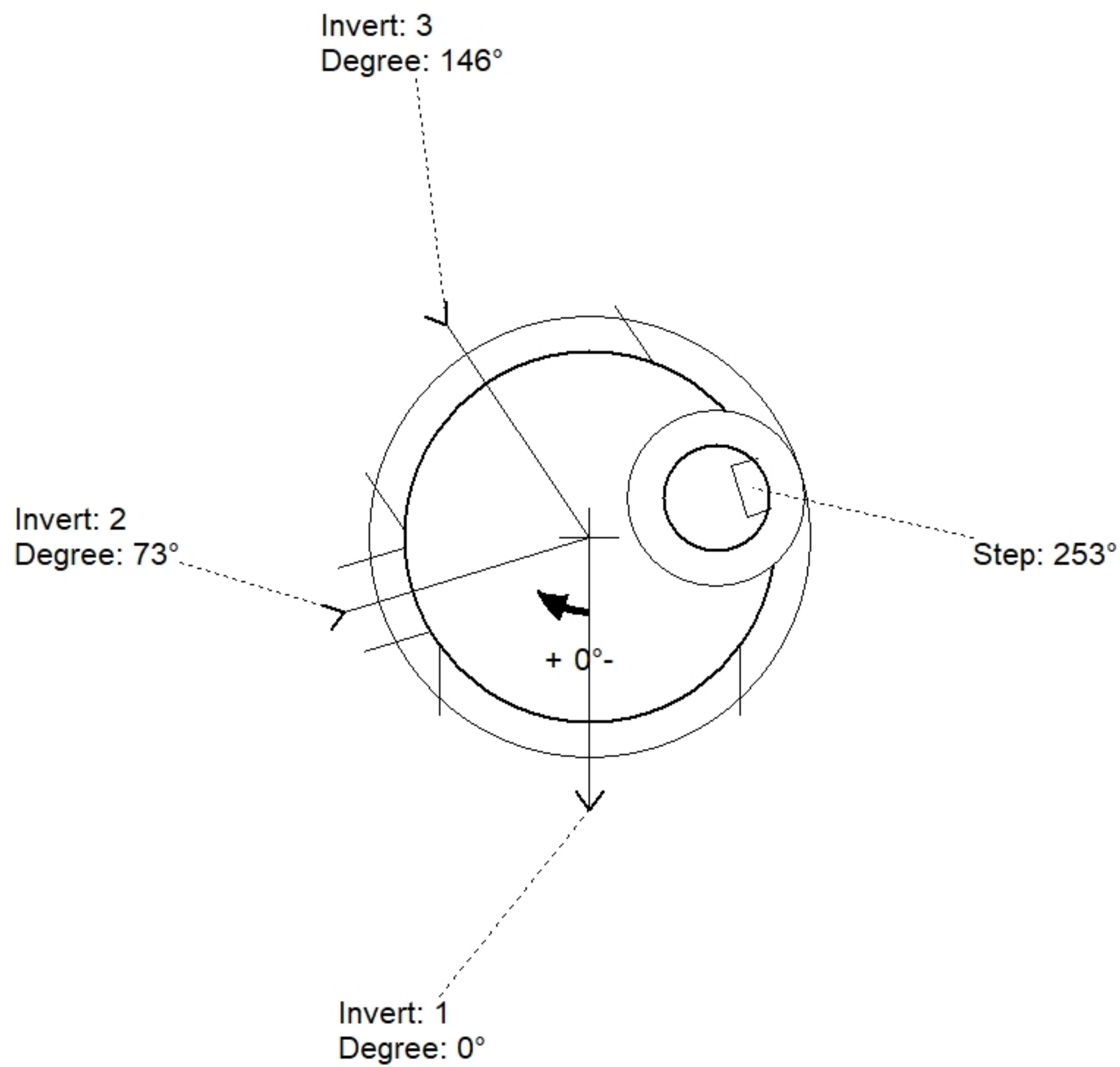
Floor (Bot): 856.925'  
 Overall Height: 13.75'  
 Slack: 1.5"

**Structure Notes:**

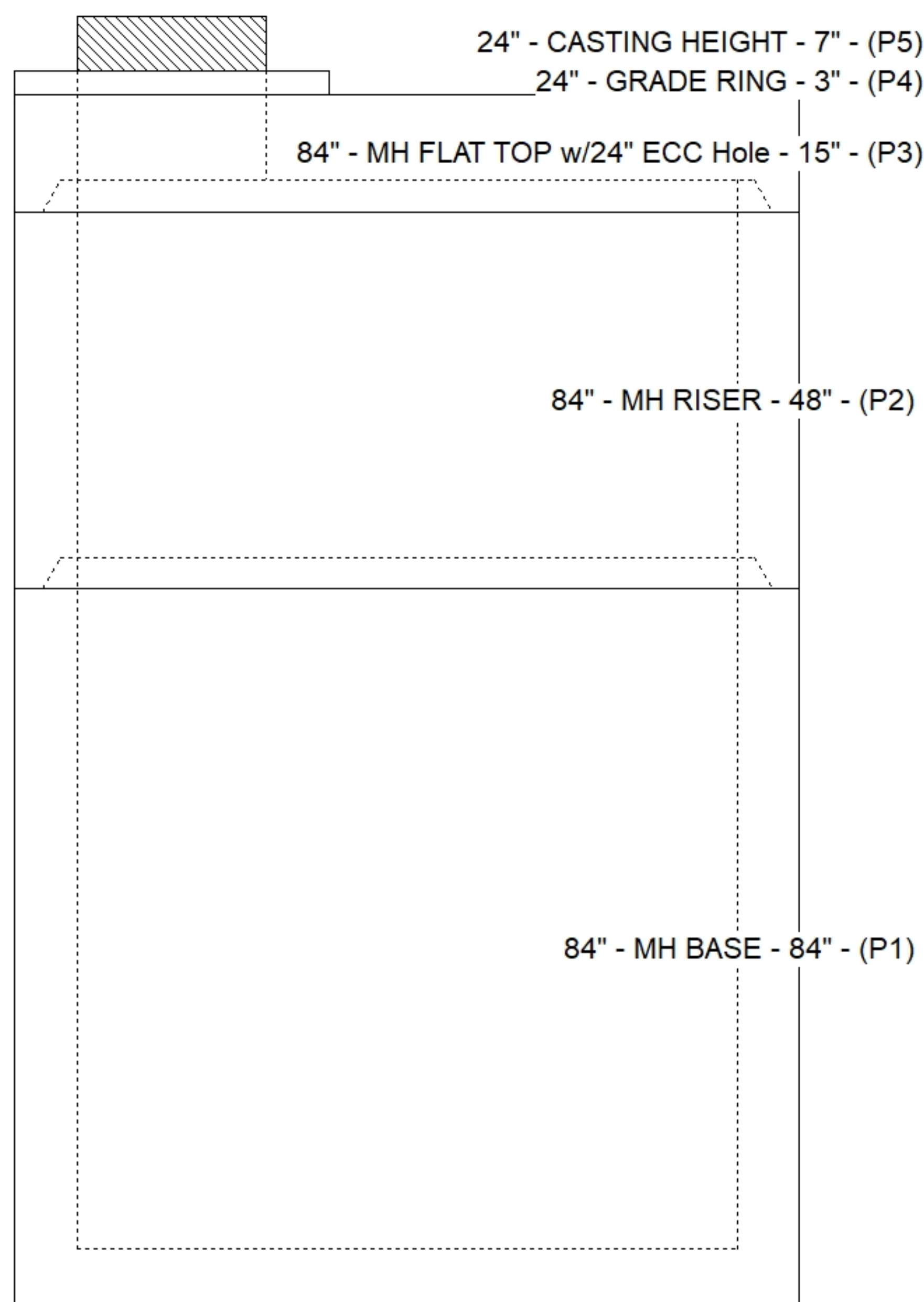
1. JR HOE MC-420 PROVIDED BY ICAST.
2. PER ASTM C478 SPECIFICATIONS.
3. CONCRETE = 4,000 PSI AT 28 DAYS.
4. REINFORCING PER ASTM A615 (GRADE 60).
  - TOP SLAB (As .62) #5 BARS AT 6" C.C.E.W..
  - RISER/WALLS (As .18)
  - FLOOR (As .37) #5 BARS AT 10" C.C.E.W.

**STRUCTURE SUMMARY:**

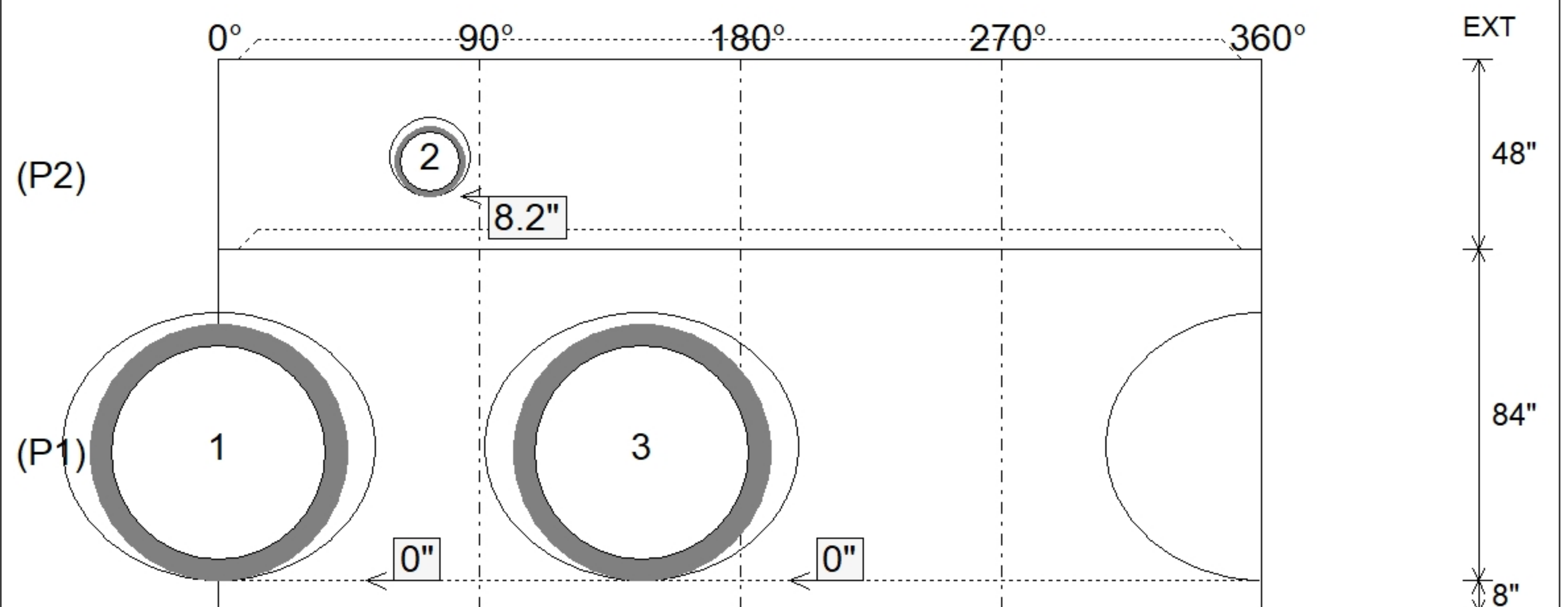
P5) 24" - CASTING HEIGHT - 7"	0 lb
P4) 24" - GRADE RING - 3"	202 lb
P3) 84" - MH FLAT TOP w/24" ECC Hole - 15"	9316 lb
P2) 84" - MH RISER - 48"	9100 lb
P1) 84" - MH BASE - 84"	16048 lb
1) CASTING - HOE MC-420 F/C Storm LOU-MSD	340 lb
2) 84" - Conseal CS-102 1.00"	0 lb
2) Hole - 68	0 lb
1) Hole - 20	0 lb
11) MH Step ML-10-TDS-NCR - 10"	0 lb
<b>Structure Total:</b>	<b>35008 lb</b>



Position	Elev	Angle	Pipe	Pipe OD	Hole	Connector	Up ( )	Ref
Rim	870.8'							
Reducer								
Invert 1	858.05'	0°	54" RCP B WALL	65"	68"	Hole 68	0"	P1
Invert 2	865.8'	73°	15" HDPE	17.6"	20"	Hole 20	8.2"	P2
Invert 3	858.05'	146°	54" RCP B WALL	65"	68"	Hole 68	0"	P1
Invert 4								
Invert 5								
Invert 6								
Invert 7								
Invert 8								



**Default - Interior Dimensions**



Submittal Drawing  
 4/10/2026 10:35:21 AM

SUBMITTAL  
 APPROVED BY: