

**Job Name: 25-1431 - Georgetown Commons**  
**Job Location: Georgetown, KY**  
**Contractor: Winwater Hartford KY Co.**

PC: A. Chambers  
 TECH: J. Coppage  
 Plant: Beaver Dam



Structure ID: **MH 326**  
 Spec: Storm  
 Type: STM.MH Transition  
 Size: 96"

Rim: 872'  
 Invert: 858.6'  
 Rim to Invert: 13.4'

Sump: 5.5"  
 Floor (Top): 858.142'  
 Floor Height: 12"

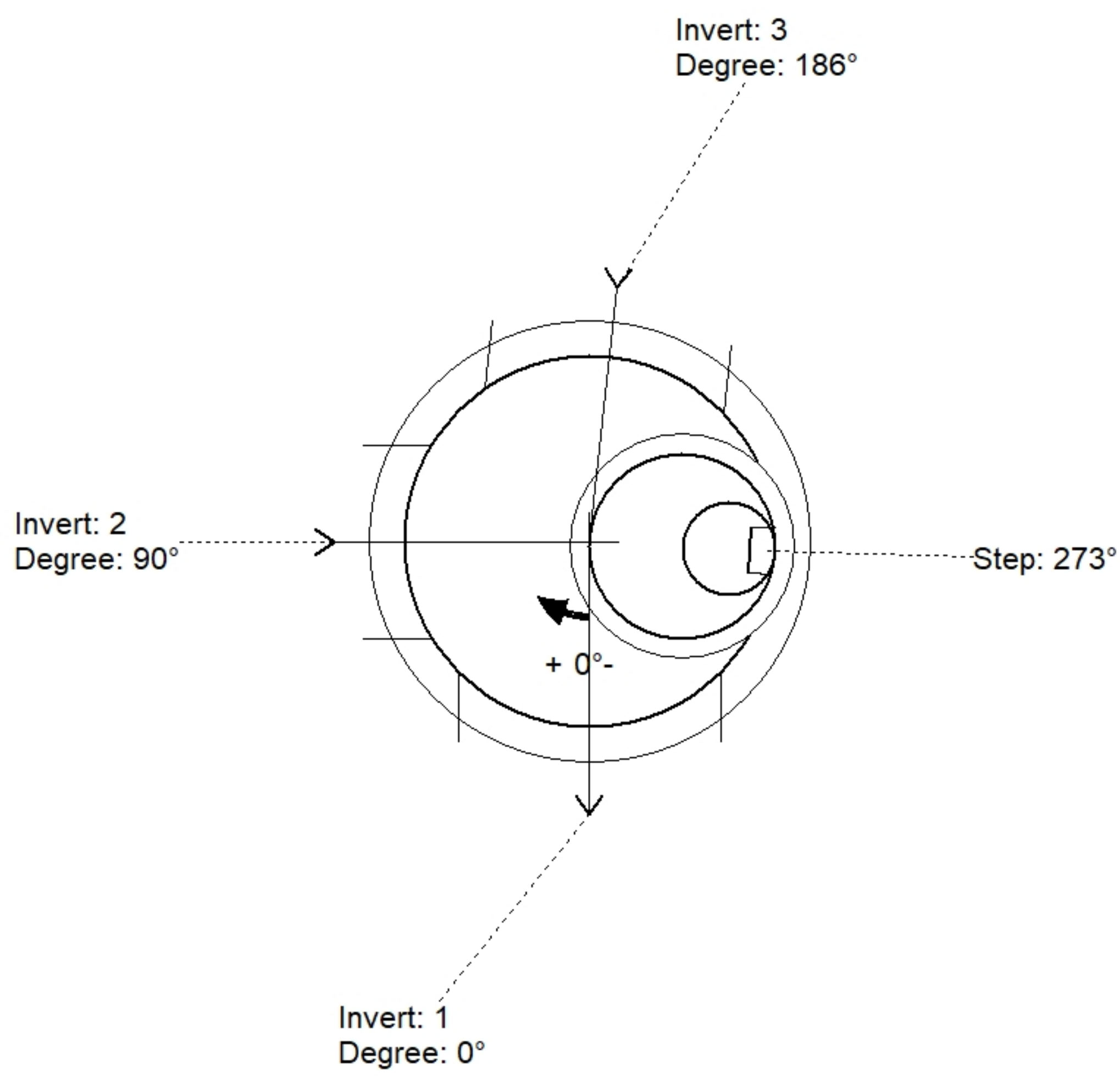
Floor (Bot): 857.142'  
 Overall Height: 14.667'  
 Slack: 2.3"

**Structure Notes:**

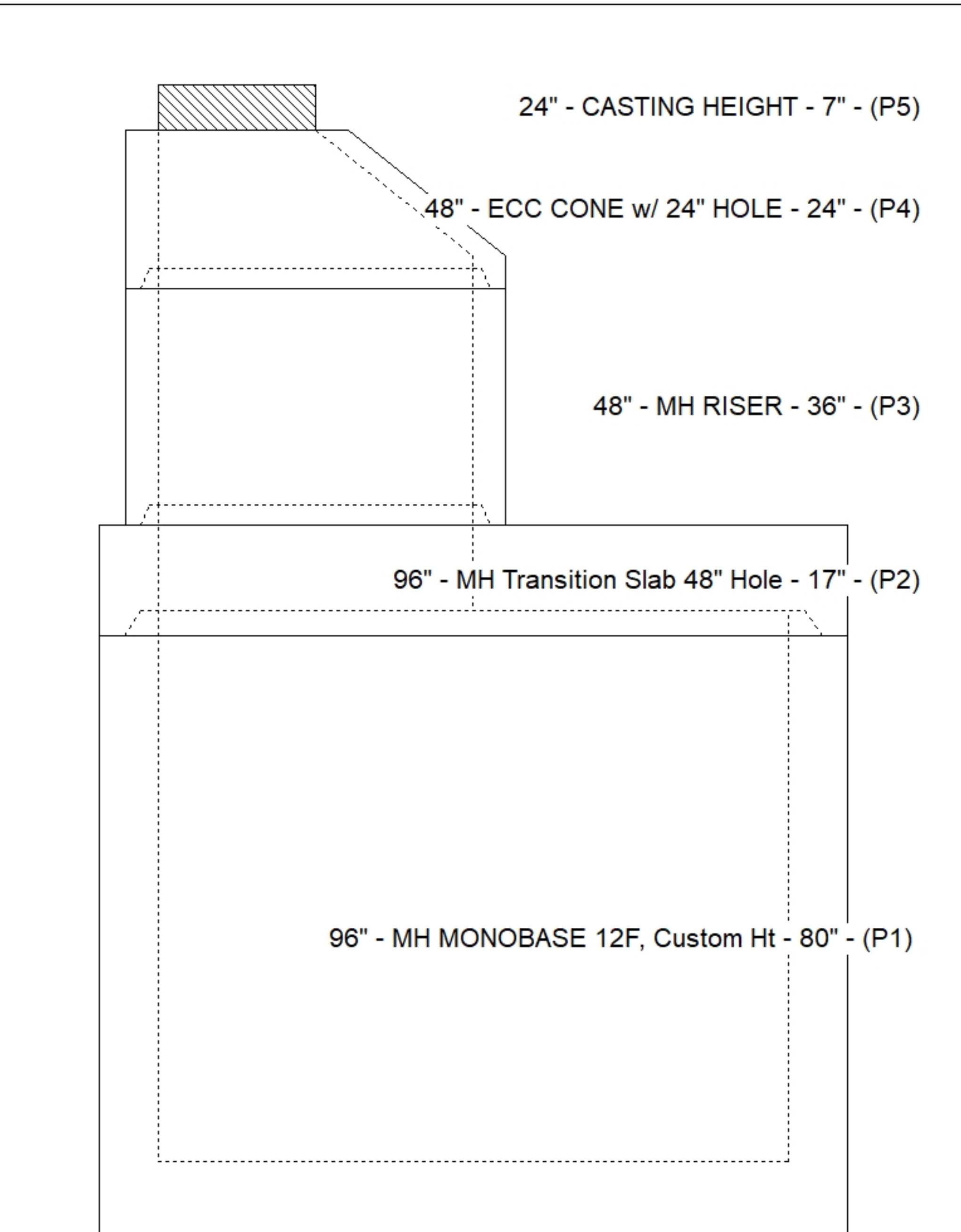
1. JR HOE MC-420 PROVIDED BY ICAST.
2. PER ASTM C478 SPECIFICATIONS.
3. CONCRETE = 4,000 PSI AT 28 DAYS.
4. REINFORCING PER ASTM A615 (GRADE 60).
  - TOP SLAB (As .62) #5 BARS AT 6" C.C.E.W..
  - RISER/WALLS (As .18)
  - FLOOR (As .37) #5 BARS AT 10" C.C.E.W.

**STRUCTURE SUMMARY:**

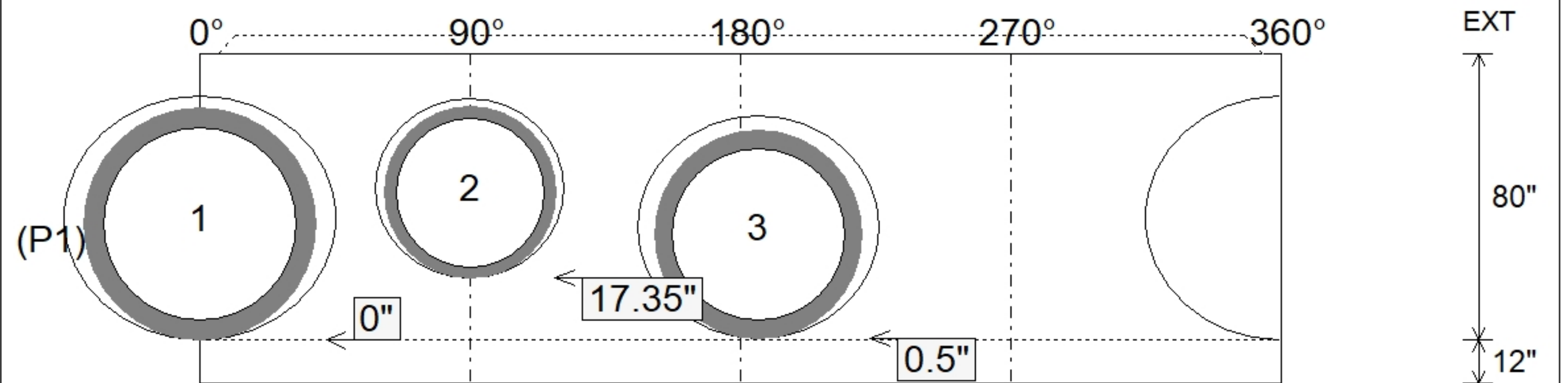
P5) 24" - CASTING HEIGHT - 7"	0 lb
P4) 48" - ECC CONE w/ 24" HOLE - 24"	1550 lb
P3) 48" - MH RISER - 36"	2515 lb
P2) 96" - MH Transition Slab 48" Hole - 17"	9106 lb
P1) 96" - MH MONOBASE 12F, Custom Ht - 80"	23222 lb
1) CASTING - HOE MC-420 F/C Storm LOU-MSD	340 lb
1) 96" - Conseal CS-102 1.00"	0 lb
2) 48" - Conseal CS-102 1.00"	0 lb
1) Hole - 68	0 lb
1) Hole - 50	0 lb
1) Hole - 62	0 lb
11) MH Step ML-10-TDS-NCR - 10"	0 lb
<b>Structure Total:</b>	<b>36733 lb</b>



Position	Elev	Angle	Pipe	Pipe OD	Hole	Connector	Up (")	Ref
Rim	872'							
Reducer	864.808'							
Invert 1	858.6'	0°	54" RCP B WALL	65"	68"	Hole 68	0"	P1
Invert 2	859.85'	90°	42" HDPE	47.7"	50"	Hole 50	17.35"	P1
Invert 3	858.6'	186°	48" RCP B WALL	58"	62"	Hole 62	0.5"	P1
Invert 4								
Invert 5								
Invert 6								
Invert 7								
Invert 8								



**Default - Interior Dimensions**



Submittal Drawing  
 4/10/2026 10:35:21 AM

SUBMITTAL  
 APPROVED BY: