

Job Name: 25-1431 - Georgetown Commons
 Job Location: Georgetown, KY
 Contractor: Winwater Hartford KY Co.

Plant: Beaver Dam
 4/9/2026 9:59:58 AM

Tech: J. Coppage
 PC: A. Chambers



Structure ID: MH 326

P1 MH096BAVF

MH MONOBASE 12F, Custom Ht

- P5) 24" - CASTING HEIGHT - 7"
- P4) 48" - ECC CONE w/ 24" HOLE - 24"
- P3) 48" - MH RISER - 36"
- P2) 96" - MH Transition Slab 48" Hole - 17"
- P1) 96" - MH MONOBASE 12F, Custom Ht - 80"
- 1) CASTING - HOE MC-420 F/C Storm LOU-MSD
- 1) 96" - Conseal CS-102 1.00"
- 2) 48" - Conseal CS-102 1.00"
- 1) Hole - 68
- 1) Hole - 50
- 1) Hole - 62
- 11) MH Step ML-10-TDS-NCR - 10"

- Structure Notes:**
1. JR HOE MC-420 PROVIDED BY ICAST.
 2. PER ASTM C478 SPECIFICATIONS.
 3. CONCRETE = 4,000 PSI AT 28 DAYS.
 4. REINFORCING PER ASTM A615 (GRADE 60).
 - TOP SLAB (As .62) #5 BARS AT 6" C.C.E.W..
 - RISER/WALLS (As .18)
 - FLOOR (As .37) #5 BARS AT 10" C.C.E.W.

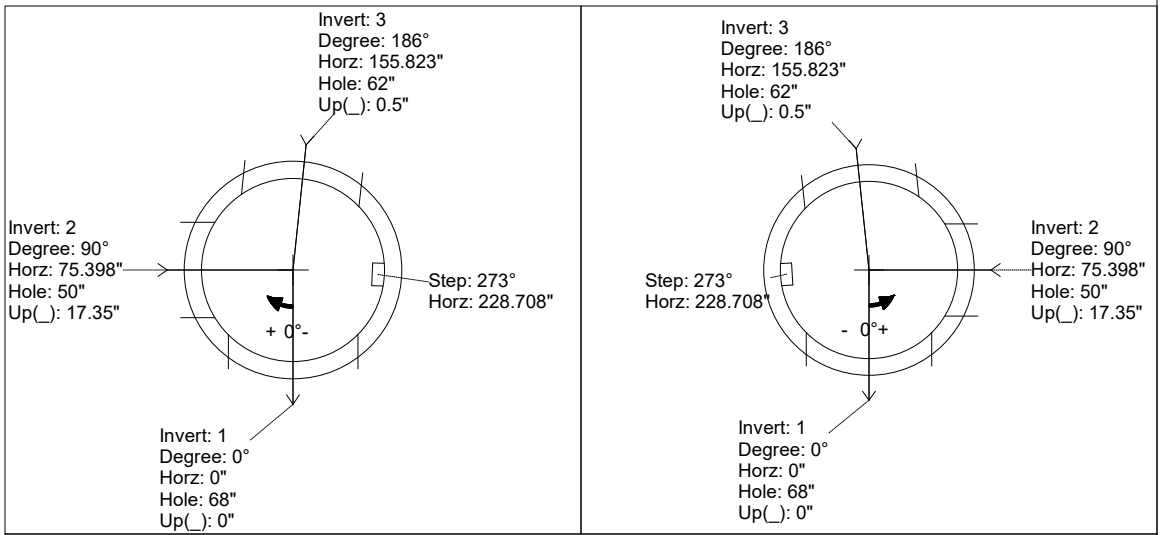
Structure Total: 36733 lb

Rim: 872' Rim to Invert: 13.4' Slack: 2.3" Sump: 5.5" Step Position: 273°

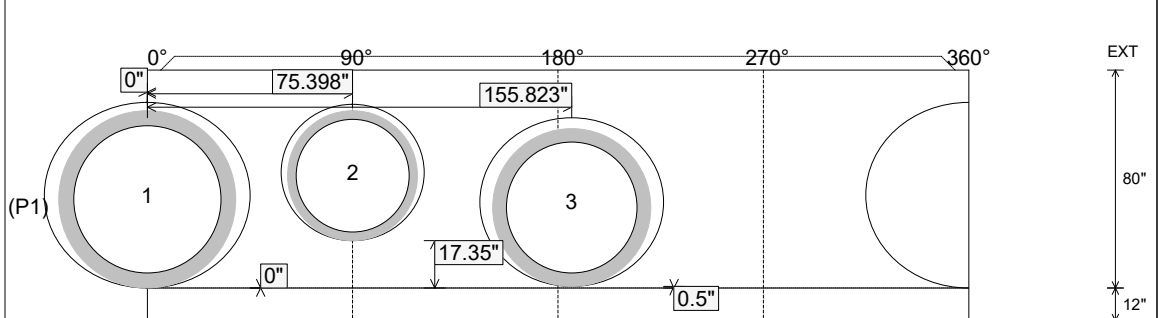
Position	Elev	Angle	Ext. (cw)	Pipe	Pipe OD	Connector	Hole	Horz Size	Up ()	Offset
Invert 1	858.6'	0°	0"	54" RCP B WALL	65"	Hole 68	68"	75.565"	0"	0"
Invert 2	859.85'	90°	89.535"	42" HDPE	47.7"	Hole 50	50"	52.591"	17.35"	0"
Invert 3	858.6'	186°	185.04"	48" RCP B WALL	58"	Hole 62	62"	67.403"	0.5"	0"
Invert 4										
Invert 5										
Invert 6										
Invert 7										
Invert 8										

RIGHT-SIDE UP VIEW (int. dimensions)

UPSIDE-DOWN VIEW (int. dimensions)



INSIDE WALL DIMENSIONS



Coating (Int): Coating (Ext):	Seam Up: Tongue Seam Dn: n/a	Wall Thickness: 9" Floor Height: 12"	Height (Int): 80" Height (Ext): 92"	Weight (Net): 23222 lb Volume (Net): 5.93cu.yd
----------------------------------	---------------------------------	---	--	---