

Job Name: 25-1431 - Georgetown Commons
Job Location: Georgetown, KY
Contractor: Winwater Hartford KY Co.

PC: A. Chambers
 TECH: J. Coppage
 Plant: Beaver Dam



Structure ID: **MH 325**

Spec: Storm
 Type: STM.MH Transition
 Size: 84"

Rim: 872.75'
 Invert: 859.8'
 Rim to Invert: 12.95'

Sump: 5"
 Floor (Top): 859.383'
 Floor Height: 8"

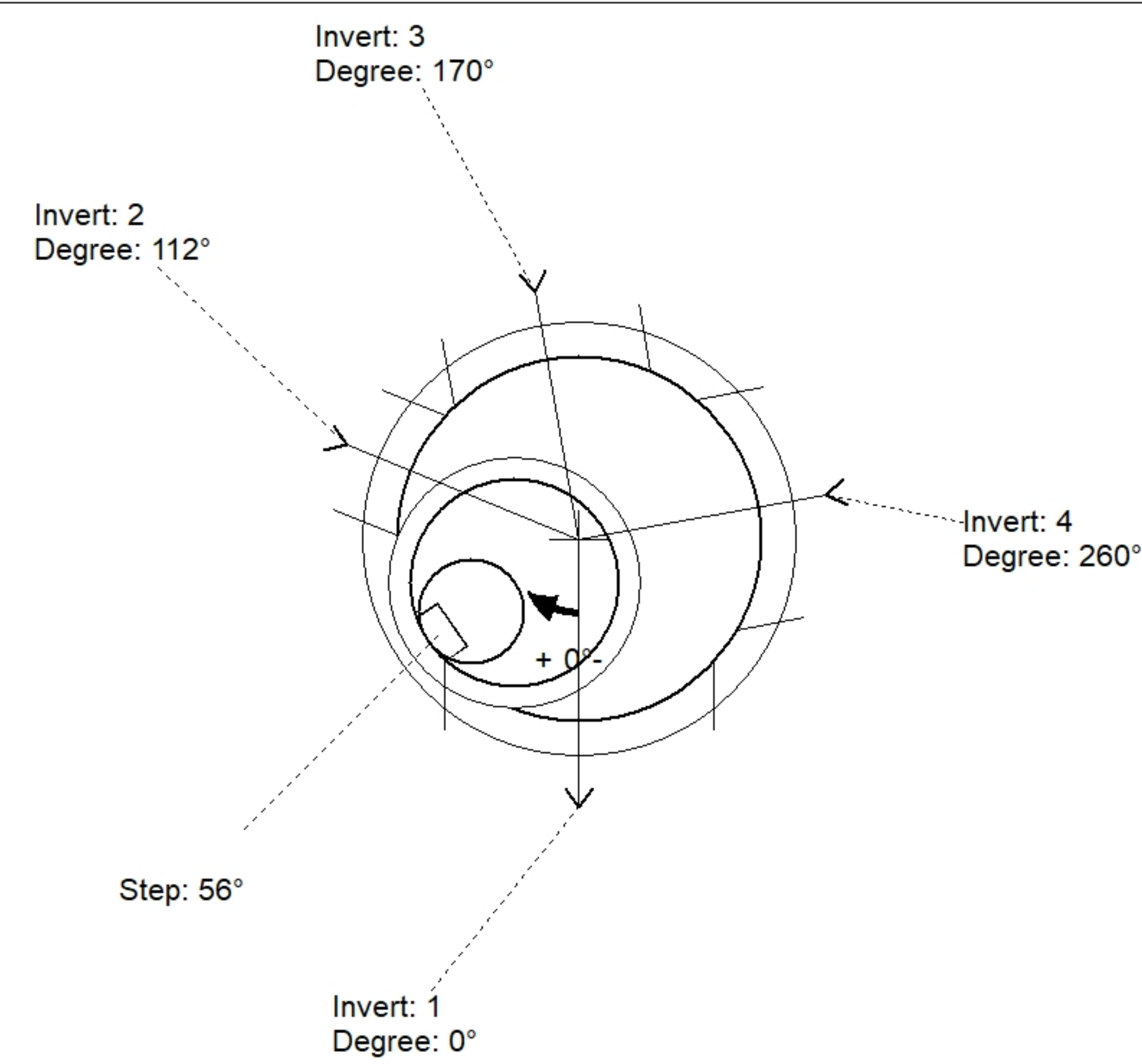
Floor (Bot): 858.717'
 Overall Height: 14'
 Slack: 0.4"

Structure Notes:

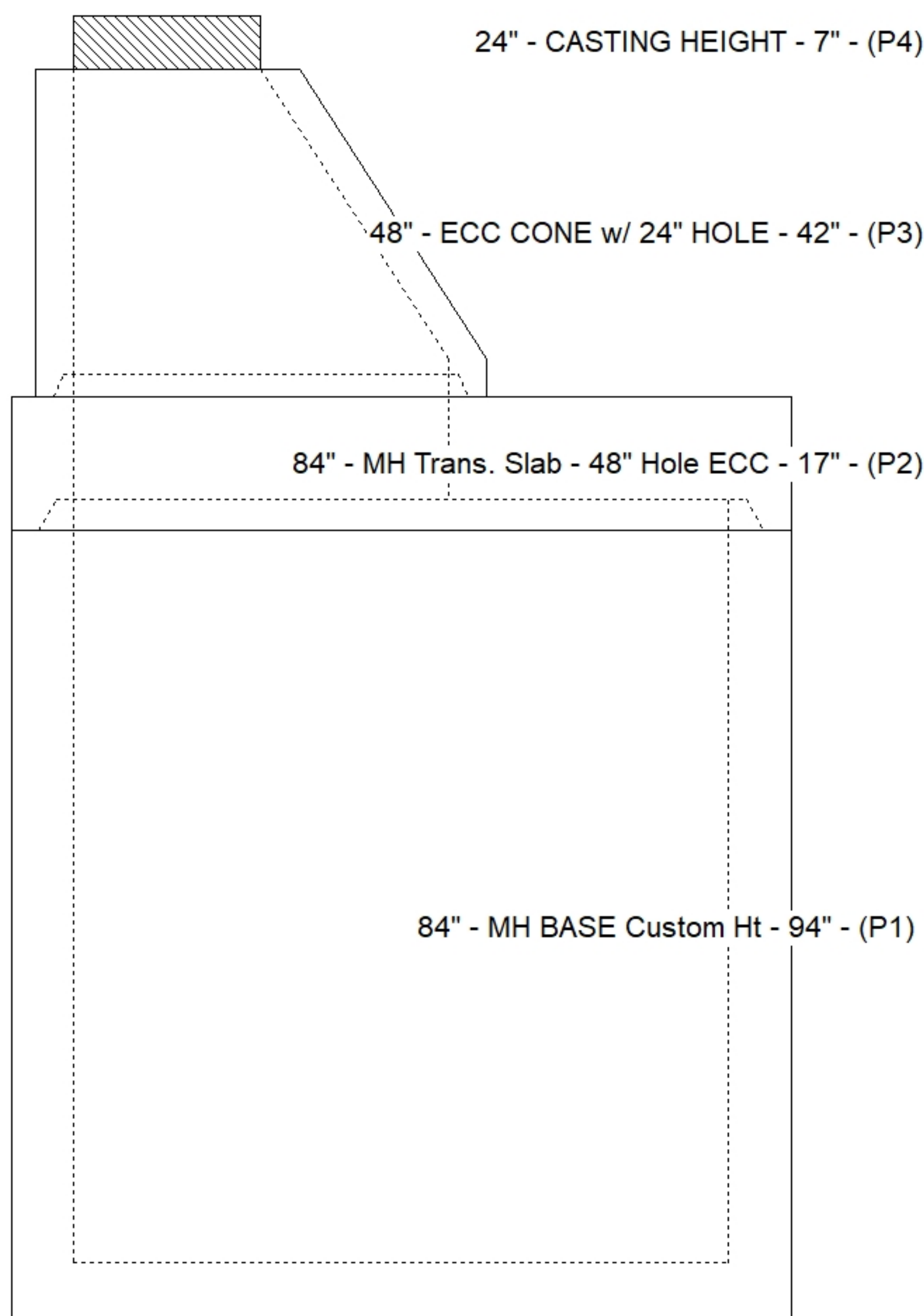
1. JR HOE MC-420 PROVIDED BY ICAST.
2. PER ASTM C478 SPECIFICATIONS.
3. CONCRETE = 4,000 PSI AT 28 DAYS.
4. REINFORCING PER ASTM A615 (GRADE 60).
 - TOP SLAB (As .62) #5 BARS AT 6" C.C.E.W..
 - RISER/WALLS (As .18)
 - FLOOR (As .37) #5 BARS AT 10" C.C.E.W.

STRUCTURE SUMMARY:

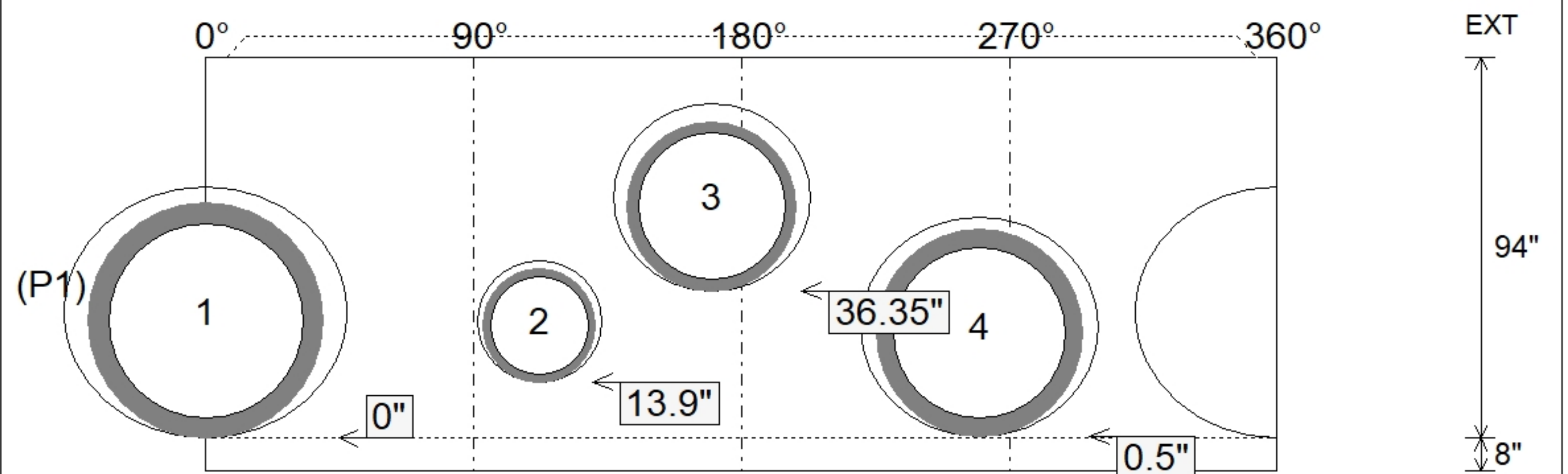
P4) 24" - CASTING HEIGHT - 7"	0 lb
P3) 48" - ECC CONE w/ 24" HOLE - 42"	3200 lb
P2) 84" - MH Trans. Slab - 48" Hole ECC - 17"	5869 lb
P1) 84" - MH BASE Custom Ht - 94"	17977 lb
1) CASTING - HOE MC-420 F/C Storm LOU-MSD	340 lb
1) 84" - Conseal CS-102 1.00"	0 lb
1) 48" - Conseal CS-102 1.00"	0 lb
1) Hole - 62	0 lb
1) Hole - 30	0 lb
1) Hole - 46	0 lb
1) Hole - 54	0 lb
12) MH Step ML-10-TDS-NCR - 10"	0 lb
Structure Total:	27386 lb



Position	Elev	Angle	Pipe	Pipe OD	Hole	Connector	Up (")	Ref
Rim	872.75'							
Reducer	867.217'							
Invert 1	859.8'	0°	48" RCP B WALL	58"	62"	Hole 62	0"	P1
Invert 2	860.7'	112°	24" HDPE	27.8"	30"	Hole 30	13.9"	P1
Invert 3	862.65'	170°	36" HDPE	41.7"	46"	Hole 46	36.35"	P1
Invert 4	859.8'	260°	42" RCP B WALL	51"	54"	Hole 54	0.5"	P1
Invert 5								
Invert 6								
Invert 7								
Invert 8								



Default - Interior Dimensions



Submittal Drawing
 4/10/2026 10:35:20 AM

SUBMITTAL
 APPROVED BY: