

Job Name: 25-1431 - Georgetown Commons
 Job Location: Georgetown, KY
 Contractor: Winwater Hartford KY Co.

Plant: Beaver Dam

Tech: J. Coppage

4/9/2026 9:59:57 AM

PC: A. Chambers



Structure ID: MH 325

P1 MH084BAVF

MH BASE Custom Ht

- P4) 24" - CASTING HEIGHT - 7"
- P3) 48" - ECC CONE w/ 24" HOLE - 42"
- P2) 84" - MH Trans. Slab - 48" Hole ECC - 17"
- P1) 84" - MH BASE Custom Ht - 94"
- 1) CASTING - HOE MC-420 F/C Storm LOU-MSD
- 1) 84" - Conseal CS-102 1.00"
- 1) 48" - Conseal CS-102 1.00"
- 1) Hole - 62
- 1) Hole - 30
- 1) Hole - 46
- 1) Hole - 54
- 12) MH Step ML-10-TDS-NCR - 10"

- Structure Notes:**
1. JR HOE MC-420 PROVIDED BY ICAST.
 2. PER ASTM C478 SPECIFICATIONS.
 3. CONCRETE = 4,000 PSI AT 28 DAYS.
 4. REINFORCING PER ASTM A615 (GRADE 60).
 - TOP SLAB (As .62) #5 BARS AT 6" C.C.E.W..
 - RISER/WALLS (As .18)
 - FLOOR (As .37) #5 BARS AT 10" C.C.E.W.

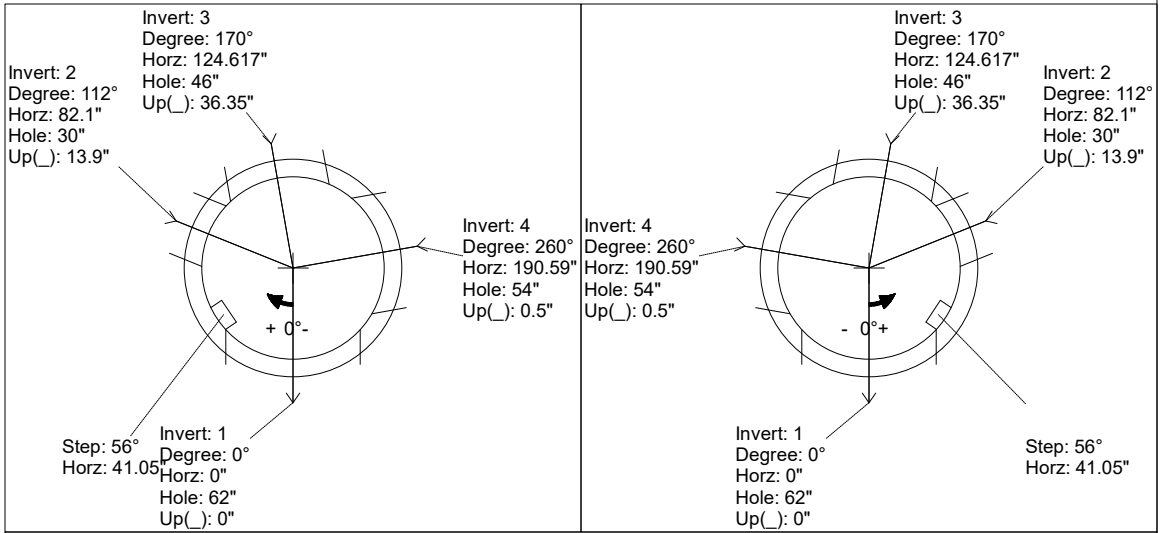
Structure Total: 27386 lb

Rim: 872.75' Rim to Invert: 12.95' Slack: 0.4" Sump: 5" Step Position: 56"

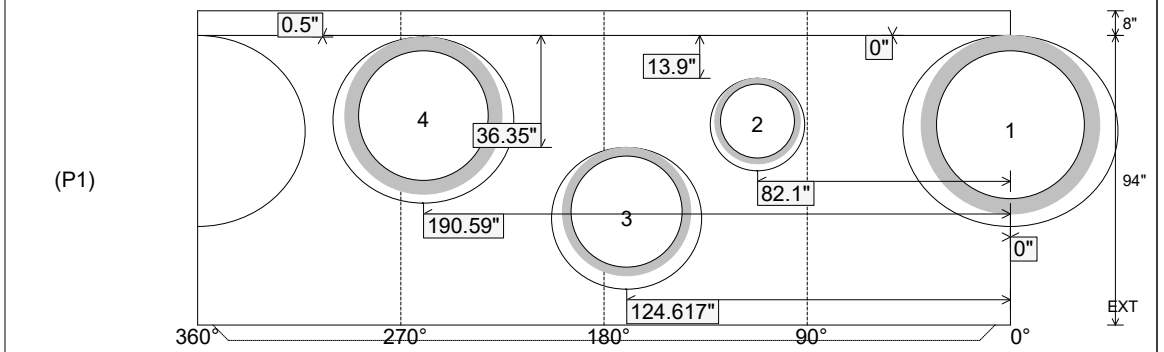
Position	Elev	Angle	Ext. (cw)	Pipe	Pipe OD	Connector	Hole	Horz Size	Up ()	Offset
Invert 1	859.8'	0°	0"	48" RCP B WALL	58"	Hole 62	62"	69.74"	0"	0"
Invert 2	860.7'	112°	97.738"	24" HDPE	27.8"	Hole 30	30"	30.677"	13.9"	0"
Invert 3	862.65'	170°	148.353"	36" HDPE	41.7"	Hole 46	46"	48.679"	36.35"	0"
Invert 4	859.8'	260°	226.893"	42" RCP B WALL	51"	Hole 54	54"	58.651"	0.5"	0"
Invert 5										
Invert 6										
Invert 7										
Invert 8										

RIGHT-SIDE UP VIEW (int. dimensions)

UPSIDE-DOWN VIEW (int. dimensions)



INSIDE WALL DIMENSIONS



Coating (Int):
 Coating (Ext):

Seam Up: Tongue
 Seam Dn: n/a

Wall Thickness: 8"
 Floor Height: 8"

Height (Int): 94"
 Height (Ext): 102"

Weight (Net): 17977 lb
 Volume (Net): 4.59cu.yd