

Job Name: 25-1431 - Georgetown Commons
 Job Location: Georgetown, KY
 Contractor: Winwater Hartford KY Co.

Plant: Beaver Dam
 4/9/2026 10:01:03 AM

Tech: J. Coppage
 PC: A. Chambers



Structure ID: MH 324

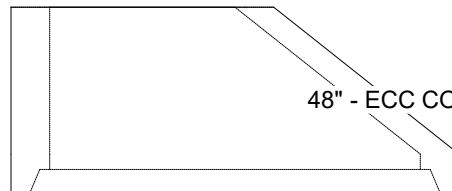
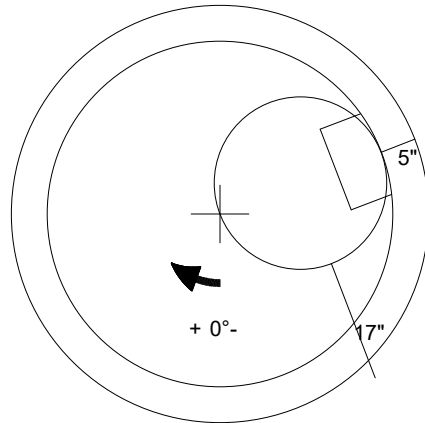
P4 MH048CN24

ECC CONE w/ 24" HOLE

- P6) 24" - CASTING HEIGHT - 7"
- P5) 24" - GRADE RING - 3"
- P4) 48" - ECC CONE w/ 24" HOLE - 24"
- P3) 48" - MH RISER - 24"
- P2) 72" - MH Transition Slab 48" Hole - 15"
- P1) 72" - MH BASE - 72"
- 1) CASTING - HOE MC-420 F/C Storm LOU-MSD
- 1) 72" - Conseal CS-102 1.00"
- 2) 48" - Conseal CS-102 1.00"
- 2) Hole - 54
- 11) MH Step ML-10-TDS-NCR - 10"

- Structure Notes:**
1. JR HOE MC-420 PROVIDED BY ICAST.
 2. PER ASTM C478 SPECIFICATIONS.
 3. CONCRETE = 4,000 PSI AT 28 DAYS.
 4. REINFORCING PER ASTM A615 (GRADE 60).
 - TOP SLAB (As .62) #5 BARS AT 6" C.C.E.W..
 - RISER/WALLS (As .18)
 - FLOOR (As .37) #5 BARS AT 10" C.C.E.W.

Structure Total: 19053 lb



48" - ECC CONE w/ 24" HOLE - 24" - (P4)

Coating (Int):
 Coating (Ext):

Seam Up: Flat
 Seam Dn: Groove

Wall Thickness: 5"

Height (Ext): 24"

Weight (Net): 1550 lb
 Volume (Net): 0.33cu.yd