

Job Name: 25-1431 - Georgetown Commons
Job Location: Georgetown, KY
Contractor: Winwater Hartford KY Co.

PC: A. Chambers
 TECH: J. Coppage
 Plant: Beaver Dam



Structure ID: MH 311
 Spec: Storm
 Type: STM.MH
 Size: 96"

Rim: 874.25'
 Invert: 865.25'
 Rim to Invert: 9'

Sump: 6"
 Floor (Top): 864.75'
 Floor Height: 12"

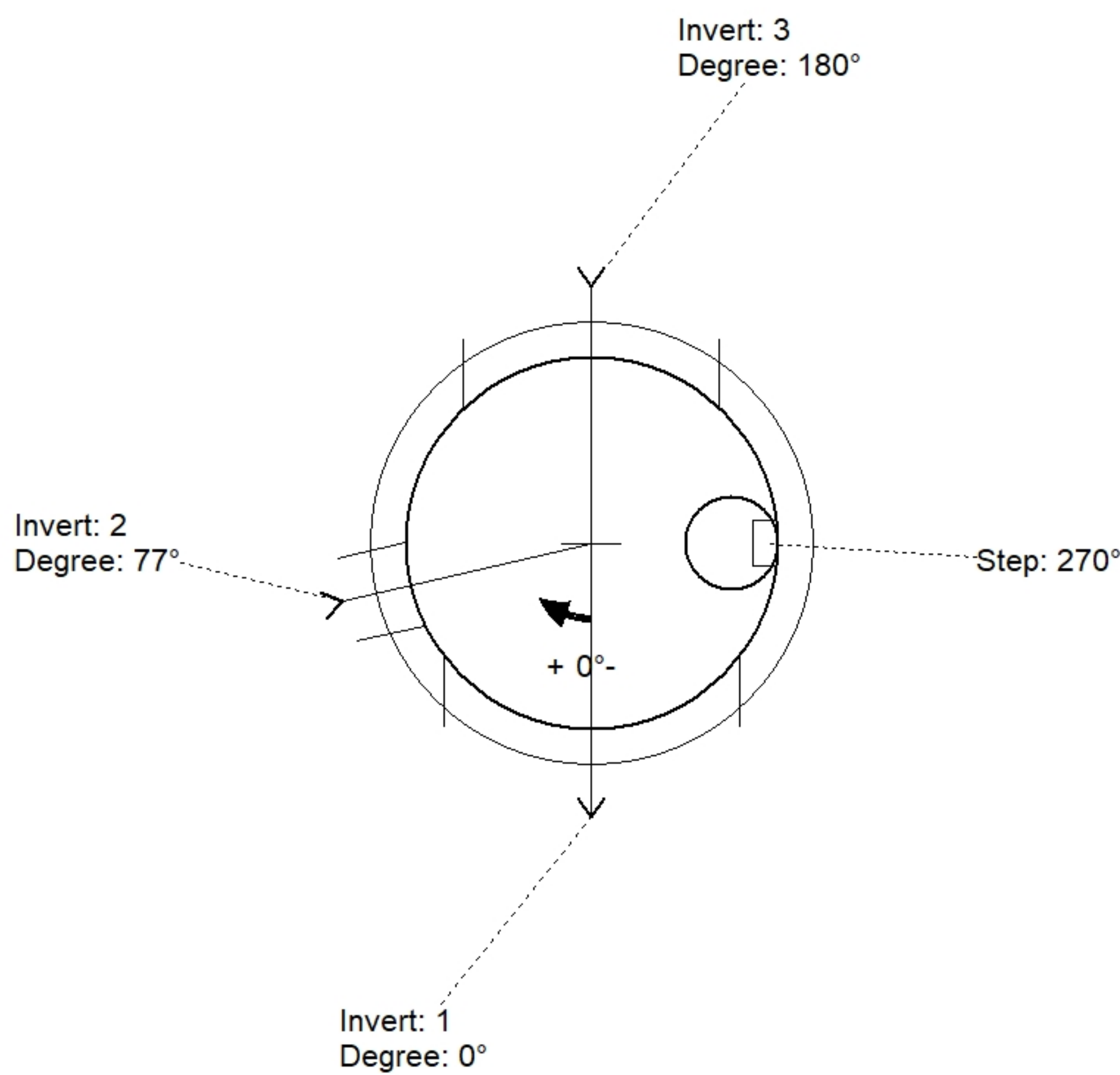
Floor (Bot): 863.75'
 Overall Height: 10.333'
 Slack: 2"

Structure Notes:

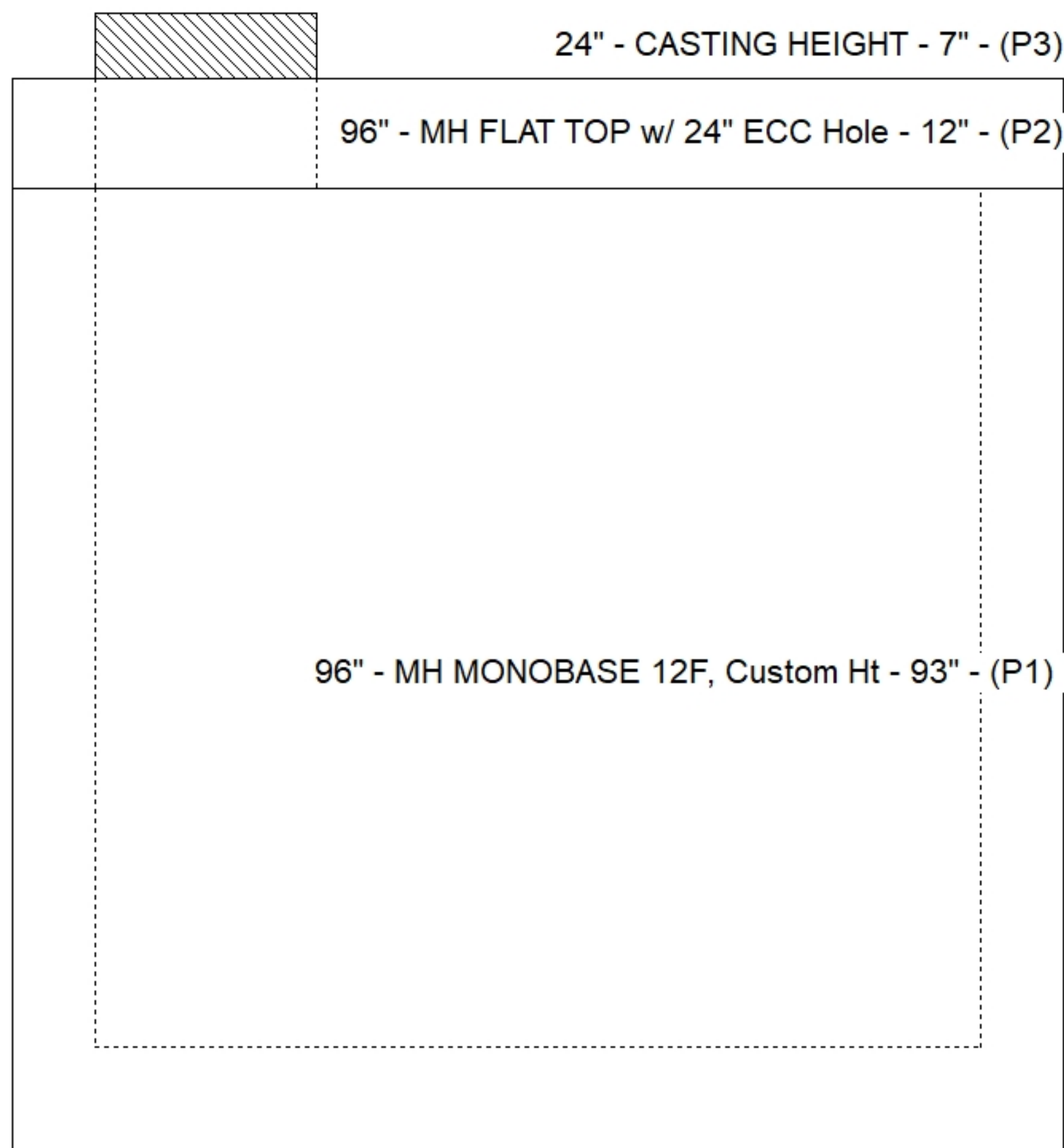
1. JR HOE HOE-420 PROVIDED BY ICAST
2. PER ASTM C913 SPEC'S.
3. CONCRETE = 4,000 PSI AT 28 DAYS.
4. REINFORCING PER ASTM A615 (GRADE 60).
 - TRANS. SLAB #5's AT 6" C.C.E.W (DBL MAT).
 - WALLS #5's AT 6" C.C.E.W.
 - FLOOR #5's AT 12" C.C.E.W..

STRUCTURE SUMMARY:

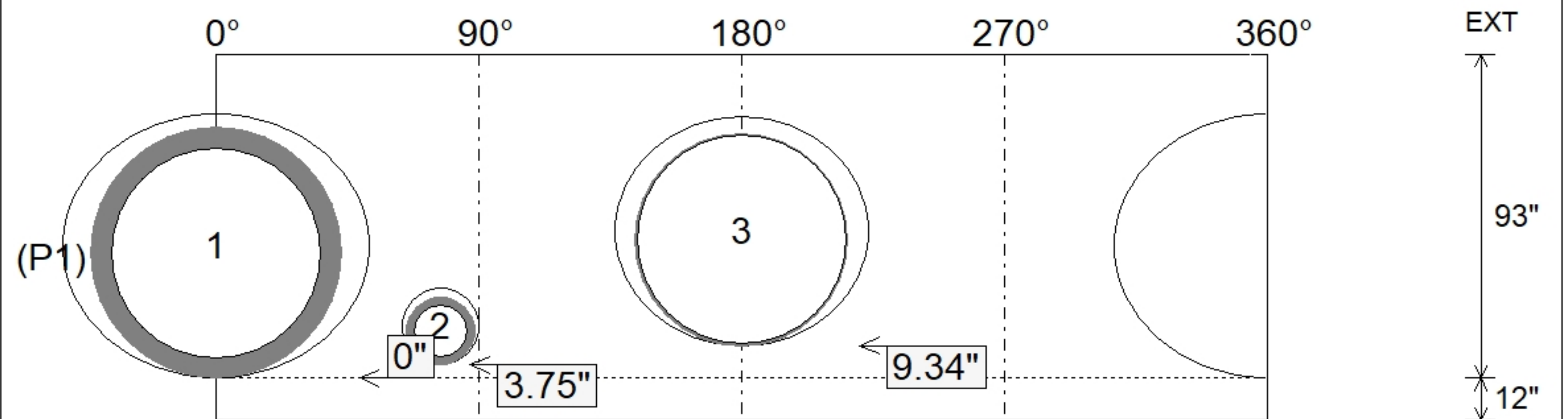
P3) 24" - CASTING HEIGHT - 7"	0 lb
P2) 96" - MH FLAT TOP w/ 24" ECC Hole - 12"	9821 lb
P1) 96" - MH MONOBASE 12F, Custom Ht - 93"	26503 lb
1) CASTING - HOE MC-420 F/C Storm LOU-MSD	340 lb
1) 96" - Conseal CS-102 1.00"	0 lb
1) Hole - 76	0 lb
1) Hole - 22	0 lb
1) Hole - 66	0 lb
7) MH Step ML-10-TDS-NCR - 10"	0 lb
Structure Total:	36664 lb



Position	Elev	Angle	Pipe	Pipe OD	Hole	Connector	Up ()	Ref
Rim	874.25'							
Reducer								
Invert 1	865.25'	0°	60" RCP B WALL	72"	76"	Hole 76	0"	P1
Invert 2	865.25'	77°	15" RCP B WALL	19.5"	22"	Hole 22	3.75"	P1
Invert 3	865.57'	180°	60" CMP	61"	66"	Hole 66	9.34"	P1
Invert 4								
Invert 5								
Invert 6								
Invert 7								
Invert 8								



Default - Interior Dimensions



Submittal Drawing
 4/24/2026 11:01:13 AM

SUBMITTAL
 APPROVED BY: