

Job Name: 25-1431 - Georgetown Commons
Job Location: Georgetown, KY
Contractor: Winwater Hartford KY Co.

PC: A. Chambers
 TECH: J. Coppage
 Plant: Beaver Dam



Structure ID: **MH 310**
 Spec: Storm
 Type: STM.MH
 Size: 48"

Rim: 874.25'
 Invert: 867.5'
 Rim to Invert: 6.75'

Sump: 2.25"
 Floor (Top): 867.313'
 Floor Height: 6"

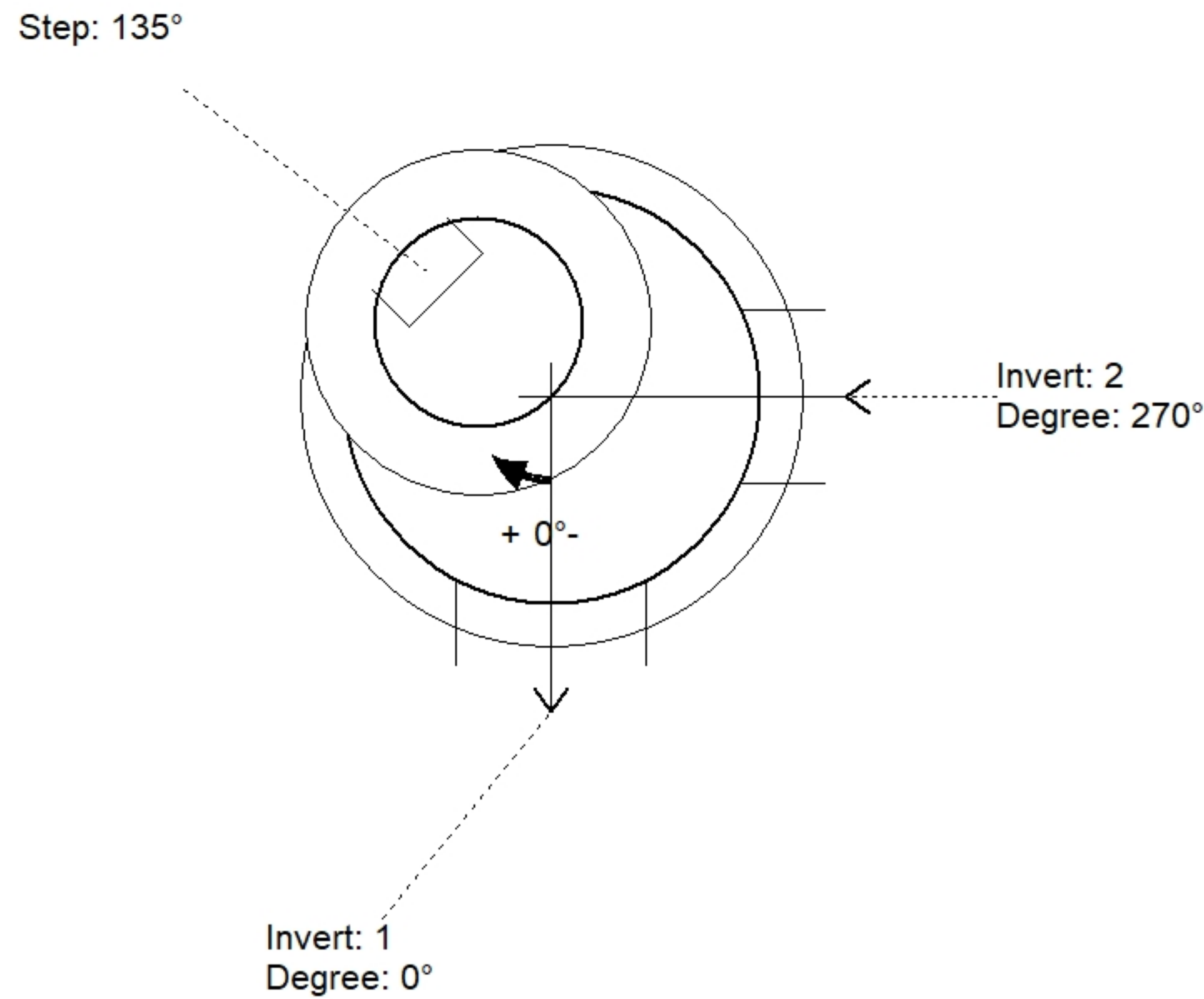
Floor (Bot): 866.813'
 Overall Height: 7.333'
 Slack: 1.25"

Structure Notes:

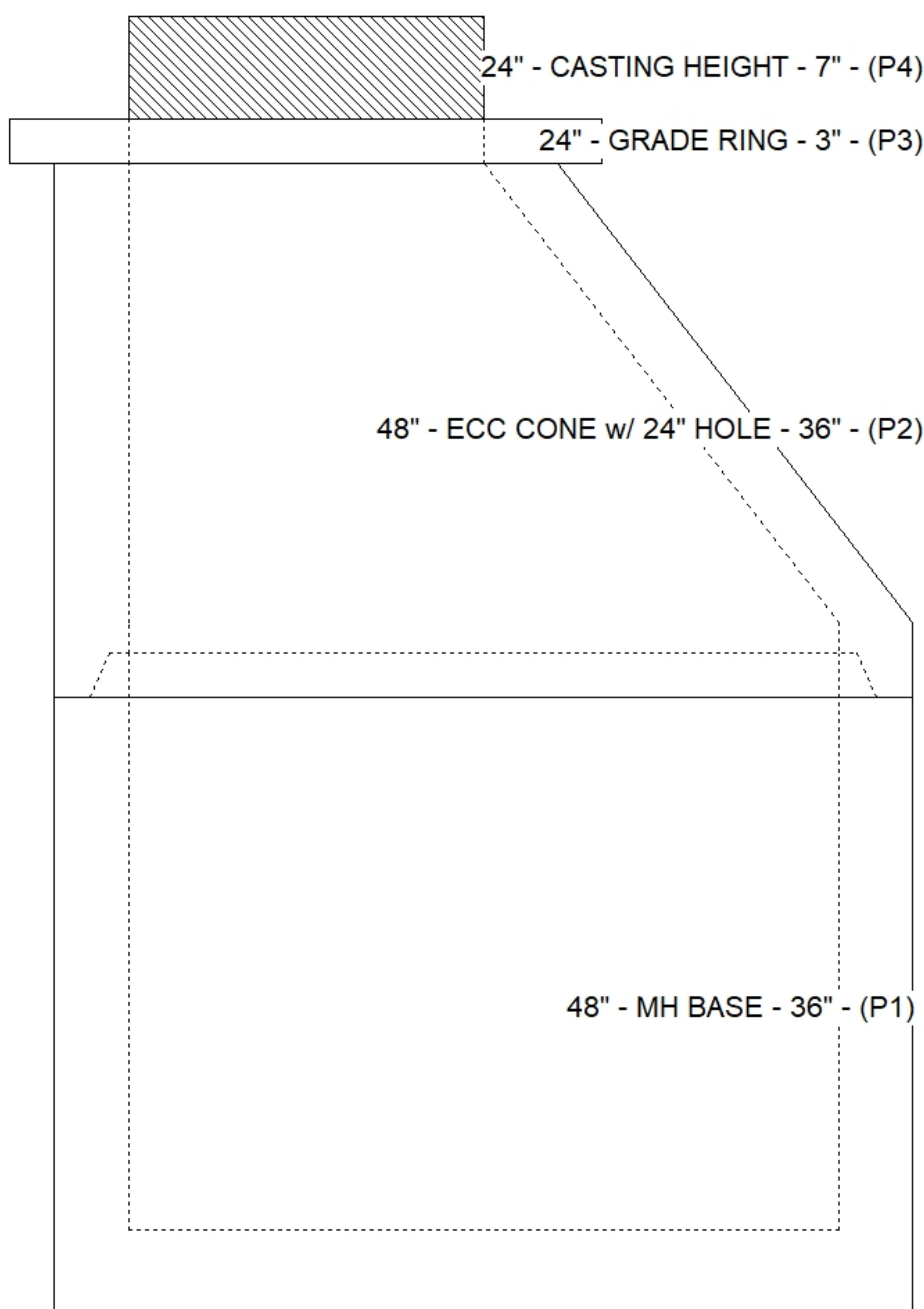
1. JR HOE HOE-420 PROVIDED BY ICAST
2. PER ASTM C478 SPEC'S.
3. CONCRETE = 4,000 PSI AT 28 DAYS.
4. REINFORCING PER ASTM A615 (GRADE 60.)
 - TOP SLAB (As .62) #5 BARS AT 6" C.C.E.W..
 - RISER/WALLS (As .12)
 - FLOOR (As .31) #5 BARS AT 12" C.C.E.W.

STRUCTURE SUMMARY:

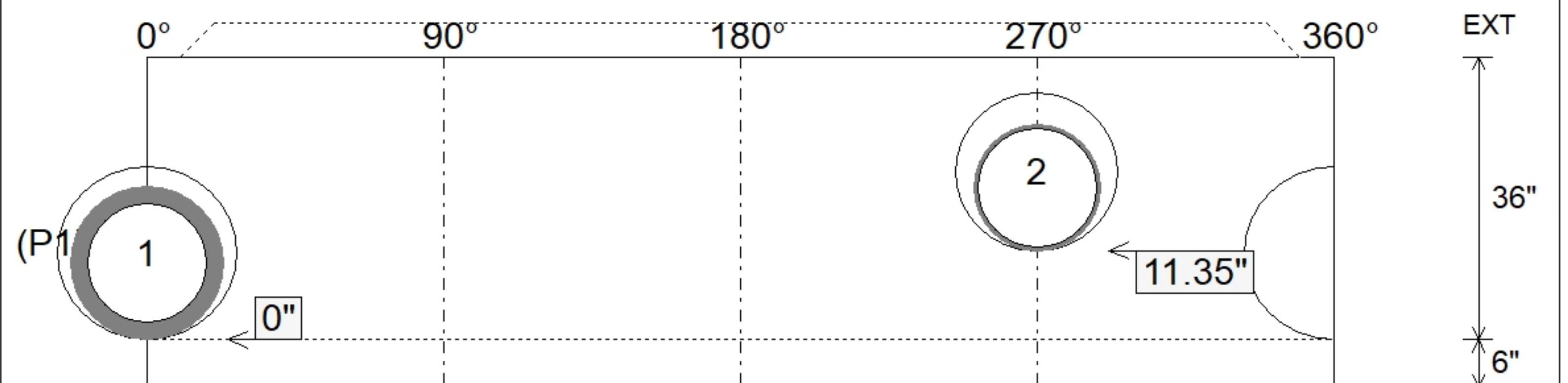
P4) 24" - CASTING HEIGHT - 7"	0 lb
P3) 24" - GRADE RING - 3"	202 lb
P2) 48" - ECC CONE w/ 24" HOLE - 36"	3000 lb
P1) 48" - MH BASE - 36"	3545 lb
1) CASTING - HOE MC-420 F/C Storm LOU-MSD	340 lb
1) 48" - Conseal CS-102 1.00"	0 lb
1) Hole - 22	0 lb
1) Hole - 20	0 lb
6) MH Step ML-10-TDS-NCR - 10"	0 lb
Structure Total:	7088 lb



Position	Elev	Angle	Pipe	Pipe OD	Hole	Connector	Up (L)	Ref
Rim	874.25'							
Reducer								
Invert 1	867.5'	0°	15" RCP B WALL	19.5"	22"	Hole 22	0"	P1
Invert 2	868.3'	270°	15" CMP	16"	20"	Hole 20	11.35"	P1
Invert 3								
Invert 4								
Invert 5								
Invert 6								
Invert 7								
Invert 8								



Default - Interior Dimensions



Submittal Drawing
 4/24/2026 11:01:13 AM

SUBMITTAL
 APPROVED BY: