

Job Name: 25-1431 - Georgetown Commons
Job Location: Georgetown, KY
Contractor: Winwater Hartford KY Co.

PC: A. Chambers
 TECH: J. Coppage
 Plant: Beaver Dam



Structure ID: **MH 305**
 Spec: Storm
 Type: STM.MH
 Size: 96"

Rim: 867.5'
 Invert: 857.85'
 Rim to Invert: 9.65'

Sump: 6"
 Floor (Top): 857.35'
 Floor Height: 8"

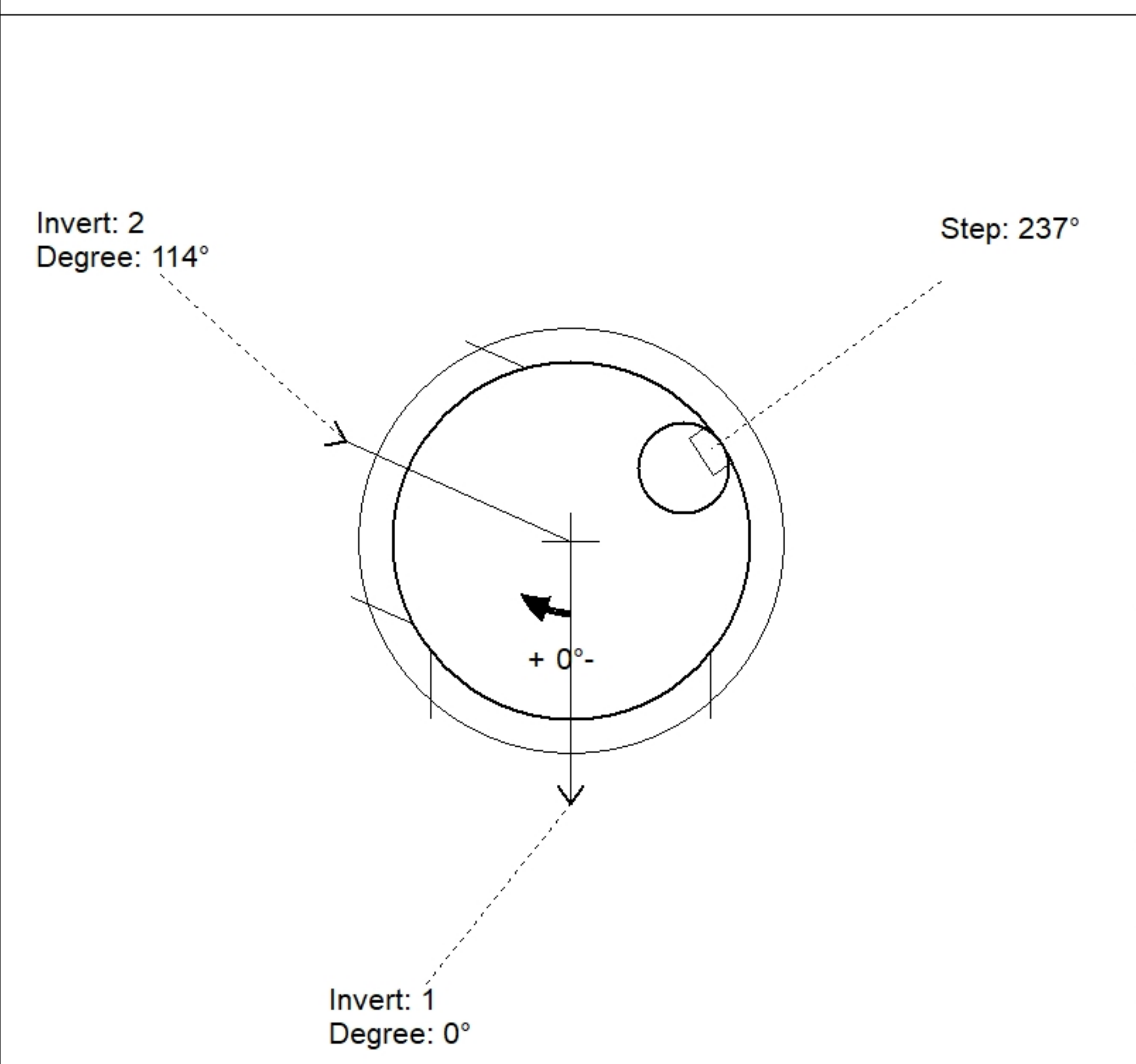
Floor (Bot): 856.683'
 Overall Height: 10.667'
 Slack: 1.8"

Structure Notes:

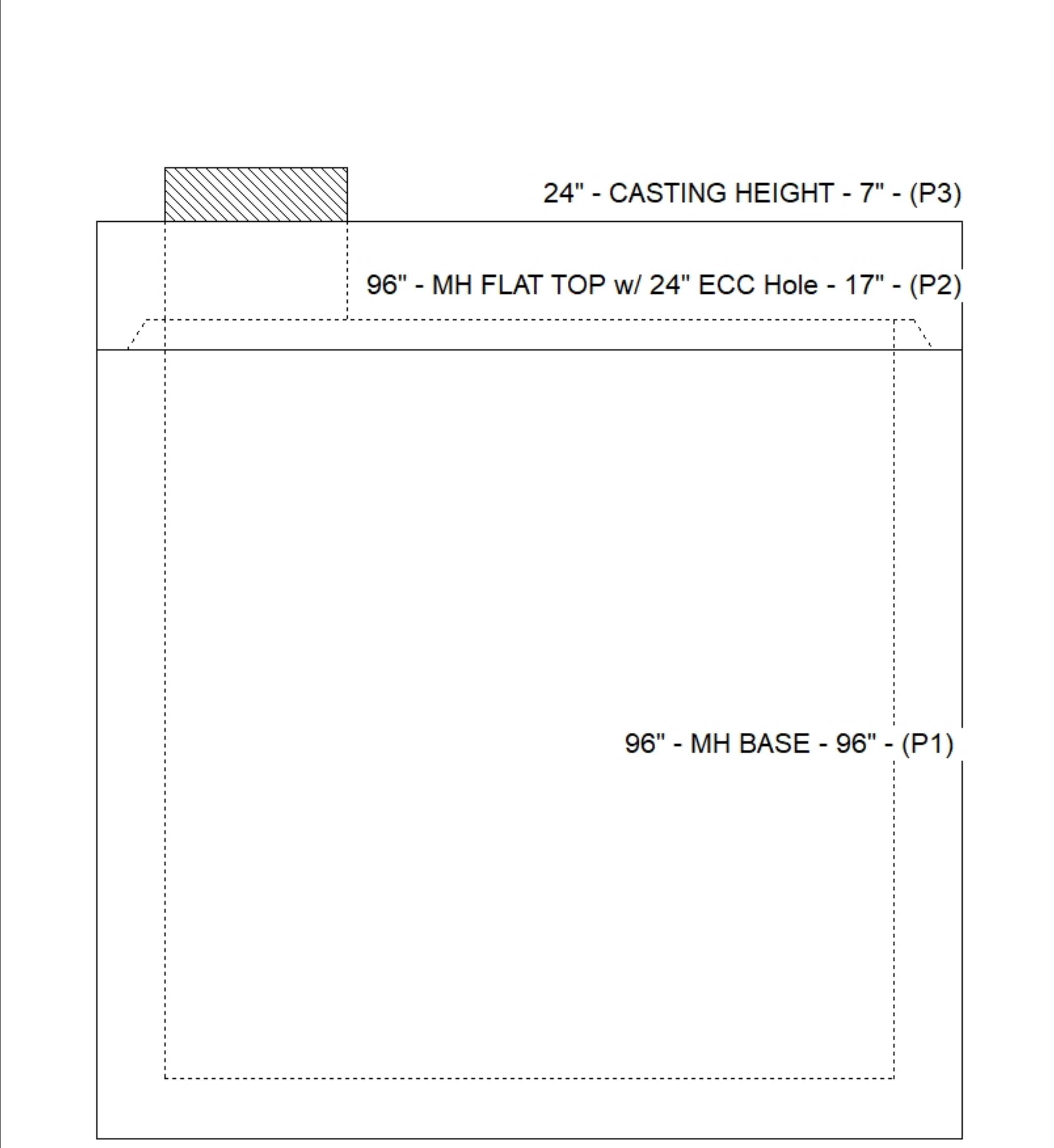
1. JR HOE MC-420 PROVIDED BY ICAST.
2. PER ASTM C478 SPECIFICATIONS.
3. CONCRETE = 4,000 PSI AT 28 DAYS.
4. REINFORCING PER ASTM A615 (GRADE 60).
 - TOP SLAB (As .62) #5 BARS AT 6" C.C.E.W..
 - RISER/WALLS (As .18)
 - FLOOR (As .37) #5 BARS AT 10" C.C.E.W.

STRUCTURE SUMMARY:

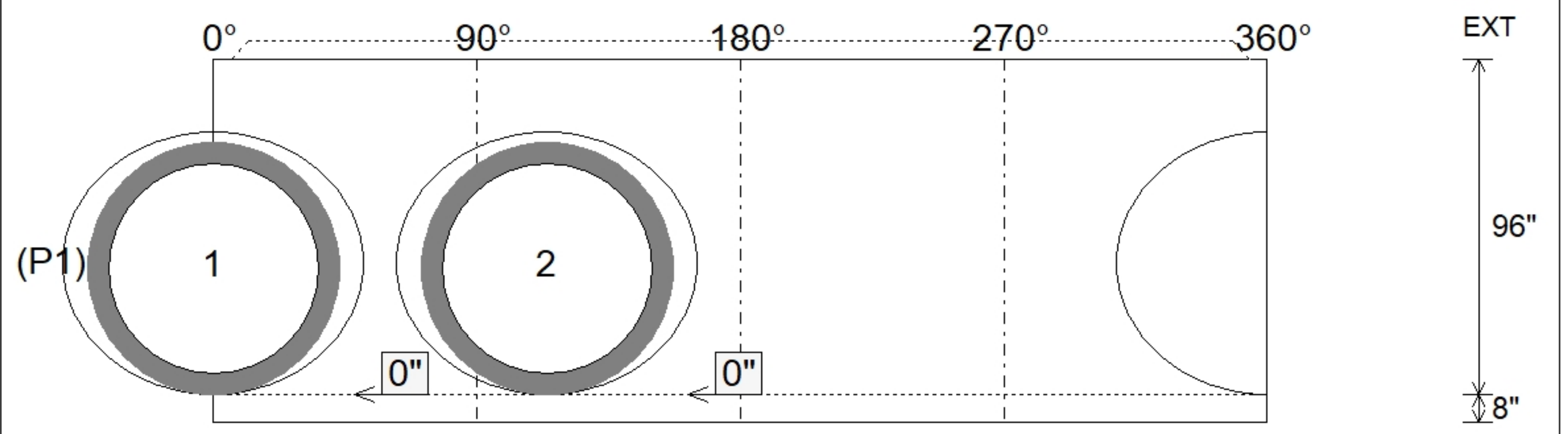
P3) 24" - CASTING HEIGHT - 7"	0 lb
P2) 96" - MH FLAT TOP w/ 24" ECC Hole - 17"	10472 lb
P1) 96" - MH BASE - 96"	23297 lb
1) CASTING - HOE MC-420 F/C Storm LOU-MSD	340 lb
2) Hole - 75	0 lb
8) MH Step ML-10-TDS-NCR - 10"	0 lb
Structure Total:	34109 lb



Position	Elev	Angle	Pipe	Pipe OD	Hole	Connector	Up ()	Ref
Rim	867.5'							
Reducer								
Invert 1	857.85'	0°	60" RCP B WALL	72"	75"	Hole 75	0"	P1
Invert 2	857.85'	114°	60" RCP B WALL	72"	75"	Hole 75	0"	P1
Invert 3								
Invert 4								
Invert 5								
Invert 6								
Invert 7								
Invert 8								



Default - Interior Dimensions



Submittal Drawing
 4/20/2026 8:12:59 AM

SUBMITTAL
 APPROVED BY: