

Job Name: 25-1431 - Georgetown Commons
 Job Location: Georgetown, KY
 Contractor: Winwater Hartford KY Co.

Plant: Beaver Dam
 4/17/2026 2:04:57 PM

Tech: J. Coppage
 PC: A. Chambers



Structure ID: MH 305

P1 MH096BA96

MH BASE

- P3) 24" - CASTING HEIGHT - 7"
- P2) 96" - MH FLAT TOP w/ 24" ECC Hole - 17"
- P1) 96" - MH BASE - 96"
- 1) CASTING - HOE MC-420 F/C Storm LOU-MSD
- 2) Hole - 75
- 8) MH Step ML-10-TDS-NCR - 10"

- Structure Notes:**
1. JR HOE MC-420 PROVIDED BY ICAST.
 2. PER ASTM C478 SPECIFICATIONS.
 3. CONCRETE = 4,000 PSI AT 28 DAYS.
 4. REINFORCING PER ASTM A615 (GRADE 60).
 - TOP SLAB (As .62) #5 BARS AT 6" C.C.E.W..
 - RISER/WALLS (As .18)
 - FLOOR (As .37) #5 BARS AT 10" C.C.E.W.

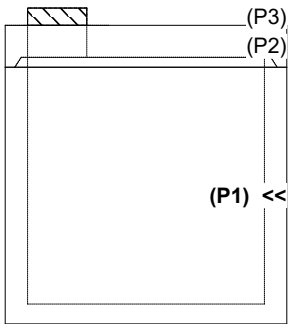
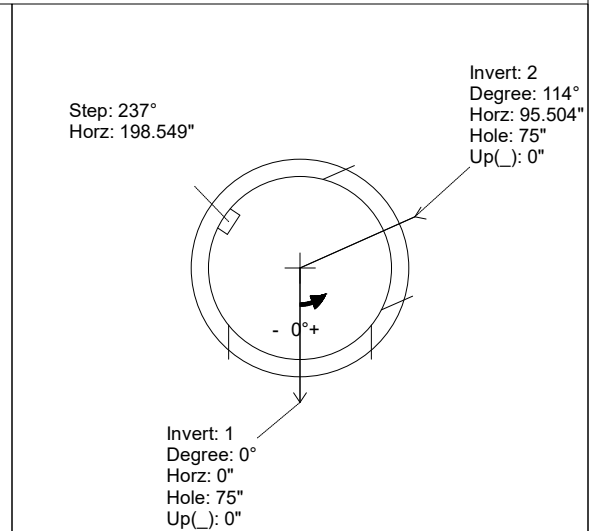
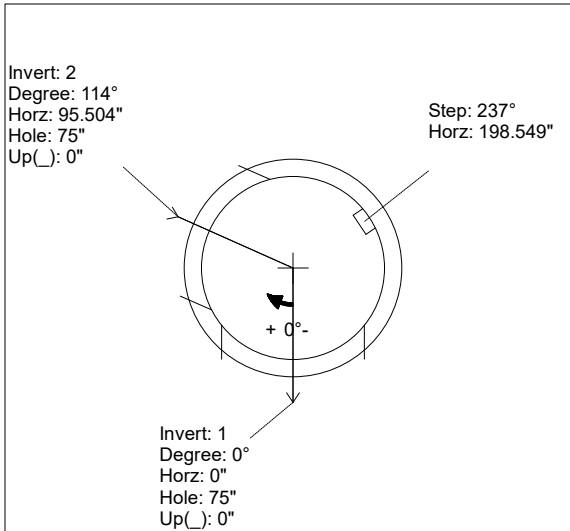
Structure Total: 34109 lb

Rim: 867.5' Rim to Invert: 9.65' Slack: 1.8' Sump: 6' Step Position: 237°

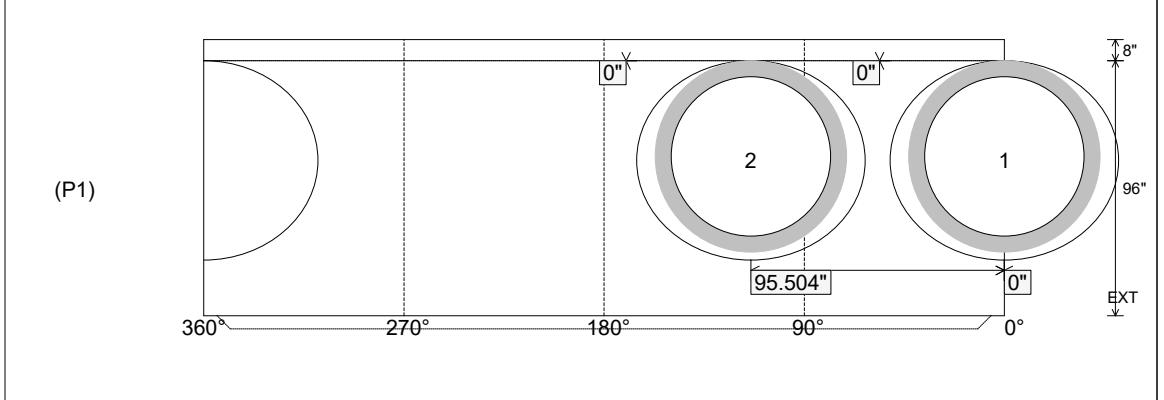
Position	Elev	Angle	Ext. (cw)	Pipe	Pipe OD	Connector	Hole	Horz Size	Up ()	Offset
Invert 1	857.85'	0°	0"	60" RCP B WALL	72"	Hole 75	75"	86.08"	0"	0"
Invert 2	857.85'	114°	113.411"	60" RCP B WALL	72"	Hole 75	75"	86.08"	0"	0"
Invert 3										
Invert 4										
Invert 5										
Invert 6										
Invert 7										
Invert 8										

RIGHT-SIDE UP VIEW (int. dimensions)

UPSIDE-DOWN VIEW (int. dimensions)



INSIDE WALL DIMENSIONS



Coating (Int):
 Coating (Ext):

Seam Up: Tongue
 Seam Dn: n/a

Wall Thickness: 9"
 Floor Height: 8"

Height (Int): 96"
 Height (Ext): 104"

Weight (Net): 23297 lb
 Volume (Net): 5.95cu.yd