

Job Name: 25-1431 - Georgetown Commons
Job Location: Georgetown, KY
Contractor: Winwater Hartford KY Co.

PC: A. Chambers
 TECH: J. Coppage
 Plant: Beaver Dam



Structure ID: **MH 301**
 Spec: Storm
 Type: BX 8inW, 8inF (TRANS)
 Size: 84" x 84"

Rim: 873.5'
 Invert: 863.25'
 Rim to Invert: 10.25'

Sump: 6"
 Floor (Top): 862.75'
 Floor Height: 8"

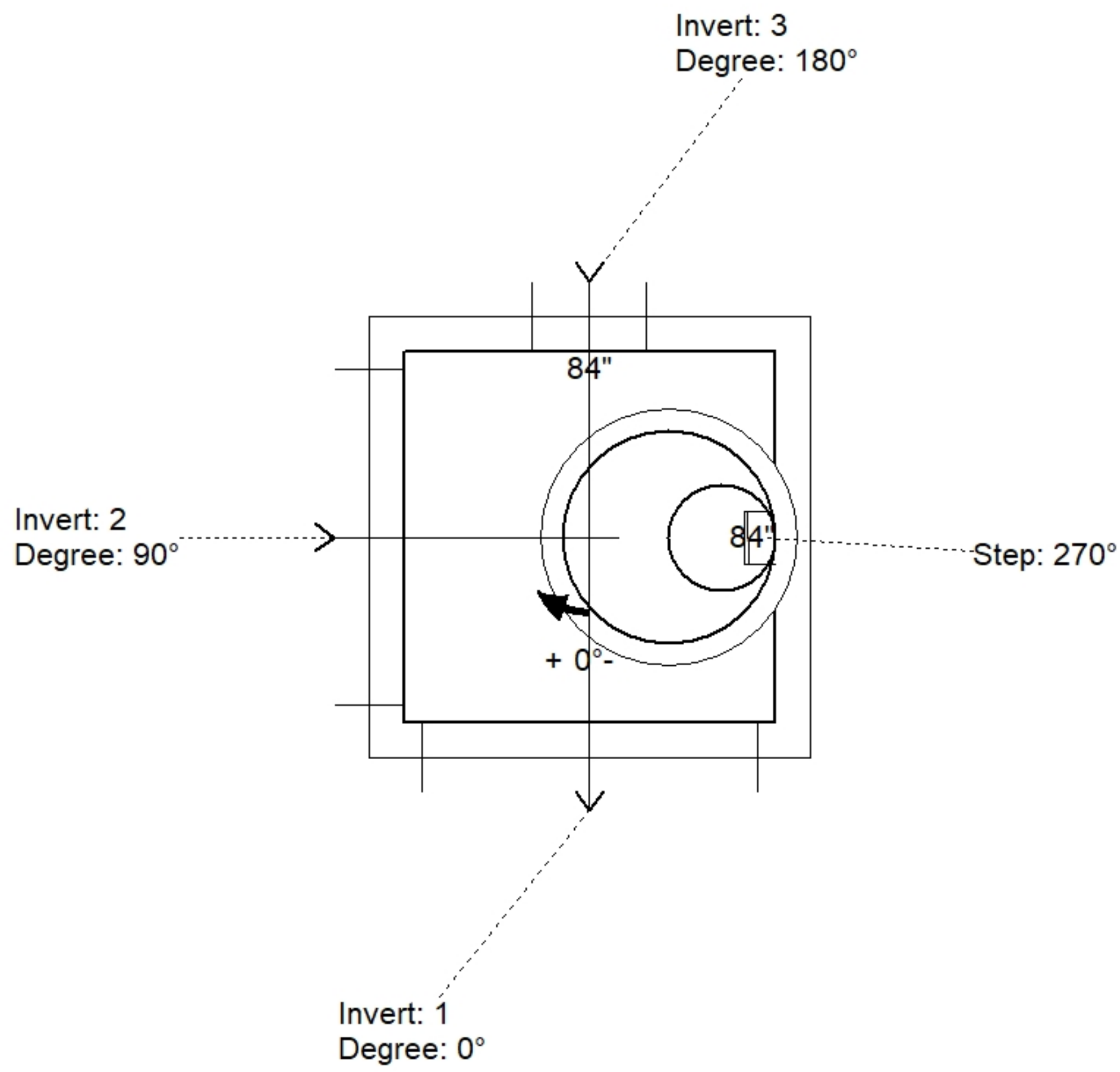
Floor (Bot): 862.083'
 Overall Height: 11.333'
 Slack: 1"

Structure Notes:

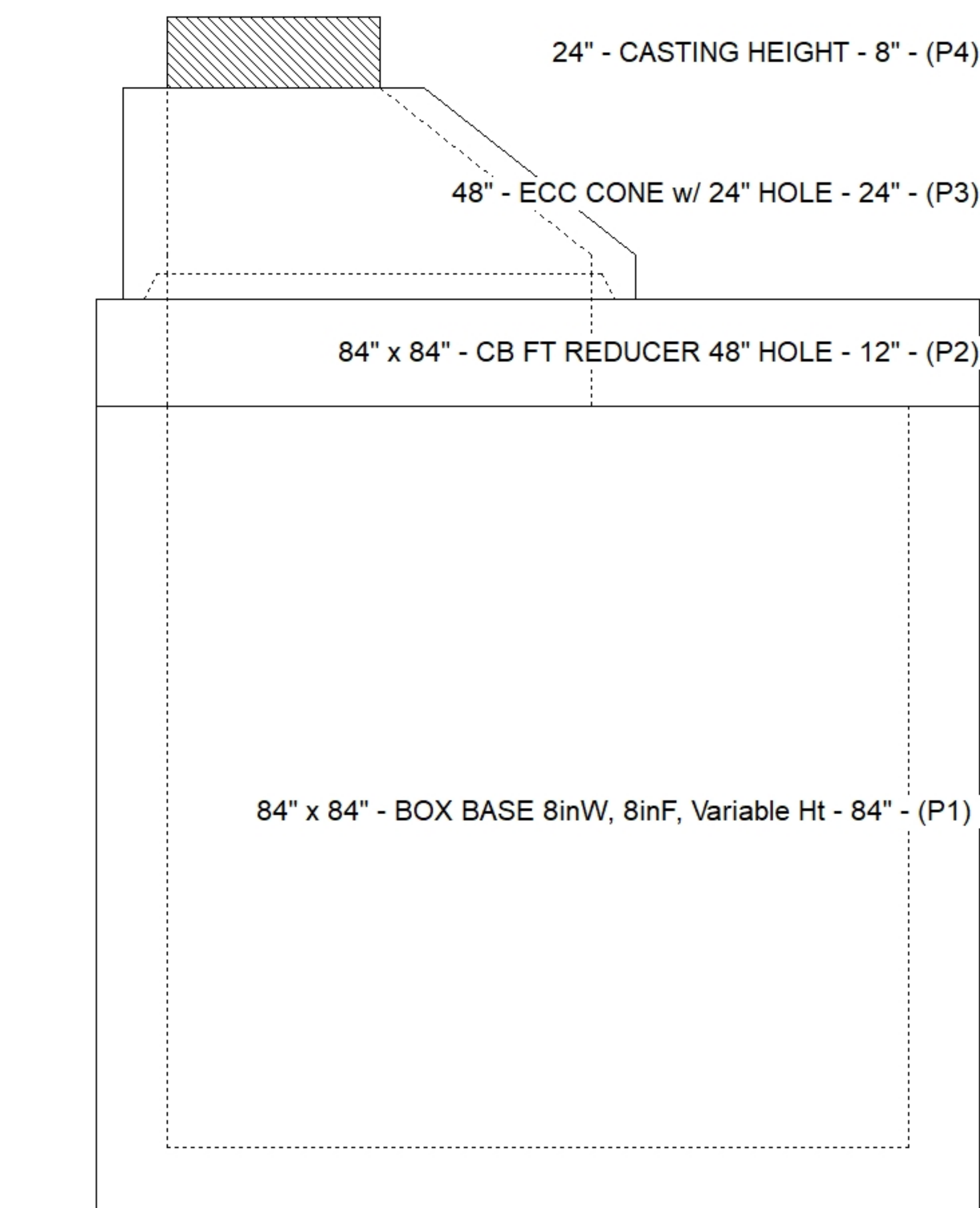
- ** KYTC STATE PROJECT**
- JR HOE KY-510 PROVIDED BY ICAST
 - PER KYTC MANHOLE TYPE C / ASTM C913 SPEC'S.
 - CONCRETE = 4,000 PSI AT 28 DAYS.
 - REINFORCING PER ASTM A615 (GRADE 60).
 - TRANS. SLAB #5's AT 6" C.C.E.W (DBL MAT).
 - WALLS #5's AT 6" C.C.E.W.
 - FLOOR #5's AT 12" C.C.E.W..

STRUCTURE SUMMARY:

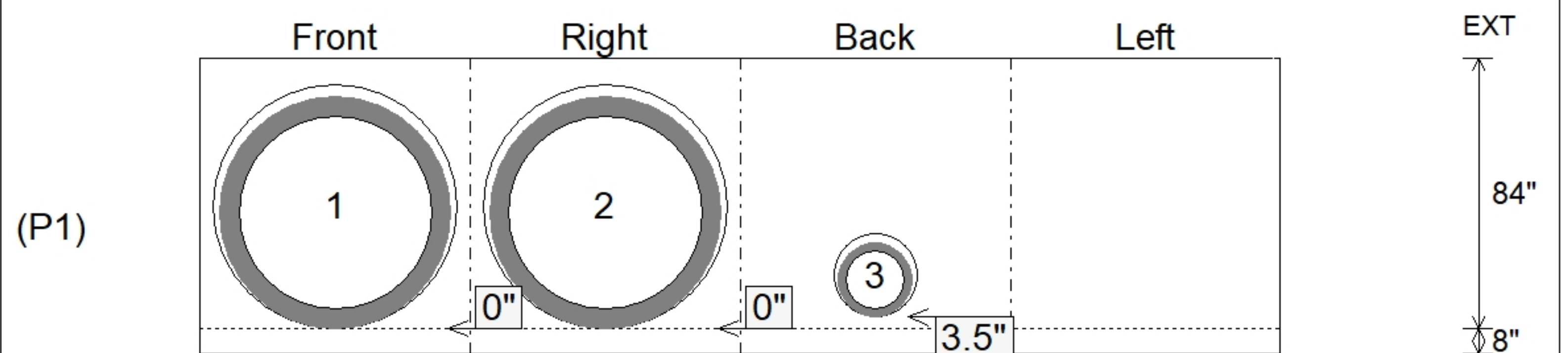
P4) 24" - CASTING HEIGHT - 8"	0 lb
P3) 48" - ECC CONE w/ 24" HOLE - 24"	1550 lb
P2) 84" x 84" - CB FT REDUCER 48" HOLE - 12"	8247 lb
P1) 84" x 84" - BOX BASE 8inW, 8inF, Variable Ht - 84"	21017 lb
1) SECONDARY POUR - WALLS	0 lb
1) CASTING - HOE KY-510 F/C (KY TY.2)	510 lb
1) 84" x 84" - Con Seal CS-102 1.00"	0 lb
1) 48" - Con Seal CS-102 1.00"	0 lb
2) Hole - 76	0 lb
1) Hole - 26	0 lb
10) MH Step ML-10-TDS-NCR - 10"	0 lb
Structure Total:	31324 lb



Position	Elev	Angle	Pipe	Pipe OD	Hole	Connector	Up ()	Ref
Rim	873.5'							
Reducer	869.75'							
Invert 1	863.25'	0°	60" RCP B WALL	72"	76"	Hole 76	0"	P1
Invert 2	863.25'	90°	60" RCP B WALL	72"	76"	Hole 76	0"	P1
Invert 3	863.25'	180°	18" RCP B WALL	23"	26"	Hole 26	3.5"	P1
Invert 4								
Invert 5								
Invert 6								
Invert 7								
Invert 8								



Default - Interior Dimensions



Submittal Drawing
 4/24/2026 11:01:13 AM

SUBMITTAL
 APPROVED BY: