

Job Name: 25-1431 - Georgetown Commons  
 Job Location: Georgetown, KY  
 Contractor: Winwater Hartford KY Co.

Plant: Beaver Dam

4/23/2026 11:30:56 AM

Tech: J. Copping

PC: A. Chambers



**Structure ID: MH 301**

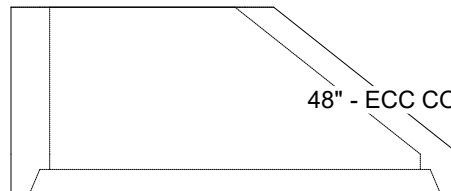
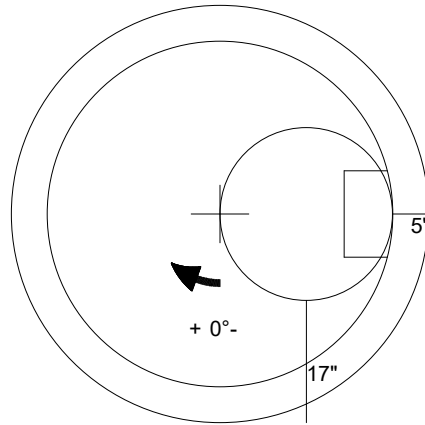
**P3 MH048CN24**

**ECC CONE w/ 24" HOLE**

- P4) 24" - CASTING HEIGHT - 8"
- P3) 48" - ECC CONE w/ 24" HOLE - 24"
- P2) 84" x 84" - CB FT REDUCER 48" HOLE - 12"
- P1) 84" x 84" - BOX BASE 8inW, 8inF, Variable Ht - 84"
- 1) CASTING - HOE KY-510 F/C (KY TY.2)
- 1) 84" x 84" - Conseal CS-102 1.00"
- 1) 48" - Conseal CS-102 1.00"
- 2) Hole - 76
- 1) Hole - 26
- 10) MH Step ML-10-TDS-NCR - 10"

- 0 lb Structure Notes:  
 1550 lb \*\* KYTC STATE PROJECT\*\*  
 8247 lb 1. JR HOE KY-510 PROVIDED BY ICAST  
 21017 lb 2. PER KYTC MANHOLE TYPE C / ASTM C913 SPEC'S.  
 510 lb 3. CONCRETE = 4,000 PSI AT 28 DAYS.  
 0 lb 4. REINFORCING PER ASTM A615 (GRADE 60).  
 0 lb - TRANS. SLAB #5's AT 6" C.C.E.W (DBL MAT).  
 0 lb - WALLS #5's AT 6" C.C.E.W.  
 0 lb - FLOOR #5's AT 12" C.C.E.W..

Structure Total: 31324 lb



48" - ECC CONE w/ 24" HOLE - 24" - (P3)

Coating (Int):  
 Coating (Ext):

Seam Up: Flat  
 Seam Dn: Groove

Wall Thickness: 5"

Height (Ext): 24"

Weight (Net): 1550 lb  
 Volume (Net): 0.33cu.yd