

Job Name: 25-1431 - Georgetown Commons
 Job Location: Georgetown, KY
 Contractor: Winwater Hartford KY Co.

Plant: Beaver Dam

Tech: J. Coppage

4/23/2026 11:20:43 AM

PC: A. Chambers



Structure ID: MH 301

P1 BX8484-08WFVF

BOX BASE 8inW, 8inF, Variable Ht

- P4) 24" - CASTING HEIGHT - 8"
- P3) 48" - ECC CONE w/ 24" HOLE - 24"
- P2) 84" x 84" - CB FT REDUCER 48" HOLE - 12"
- P1) 84" x 84" - BOX BASE 8inW, 8inF, Variable Ht - 84"
- 1) SECONDARY POUR - WALLS
- 1) CASTING - HOE KY-510 F/C (KY TY.2)
- 1) 84" x 84" - Conseal CS-102 1.00"
- 1) 48" - Conseal CS-102 1.00"
- 2) Hole - 76
- 1) Hole - 26
- 10) MH Step ML-10-TDS-NCR - 10"

0 lb
 1550 lb
 8247 lb
 21017 lb
 0 lb
 510 lb
 0 lb
 0 lb
 0 lb
 0 lb
 0 lb

 Structure Total: 31324 lb

Structure Notes:

- ** KYTC STATE PROJECT**
- 1. JR HOE KY-510 PROVIDED BY ICAST
- 2. PER KYTC MANHOLE TYPE C / ASTM C913 SPEC'S.
- 3. CONCRETE = 4,000 PSI AT 28 DAYS.
- 4. REINFORCING PER ASTM A615 (GRADE 60).
- TRANS. SLAB #5's AT 6" C.C.E.W (DBL MAT).
- WALLS #5's AT 6" C.C.E.W.
- FLOOR #5's AT 12" C.C.E.W..

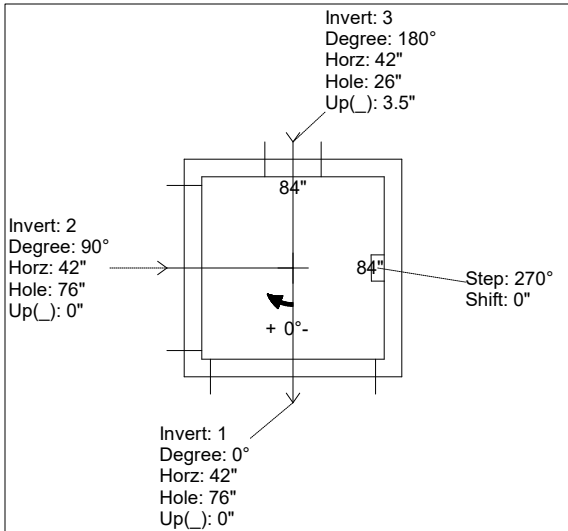
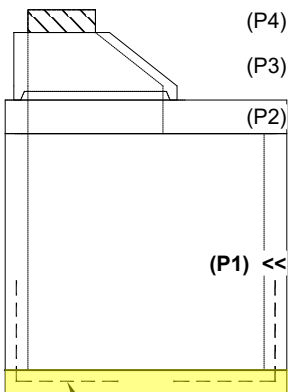
FIRST POUR DRAWING

Rim: 873.5' Rim to Invert: 10.25' Slack: 1" Sump: 6" Step Position: 270°

Position	Elev	Angle	Ext. (cw)	Pipe	Pipe OD	Connector	Hole	Horz Size	Up ()	Offset
Invert 1	863.25'	0°	50"	60" RCP B WALL	72"	Hole 76	76"	76"	0"	0"
Invert 2	863.25'	90°	50"	60" RCP B WALL	72"	Hole 76	76"	76"	0"	0"
Invert 3	863.25'	180°	50"	18" RCP B WALL	23"	Hole 26	26"	26"	3.5"	0"
Invert 4										
Invert 5										
Invert 6										
Invert 7										
Invert 8										

RIGHT-SIDE UP VIEW (int. dimensions)

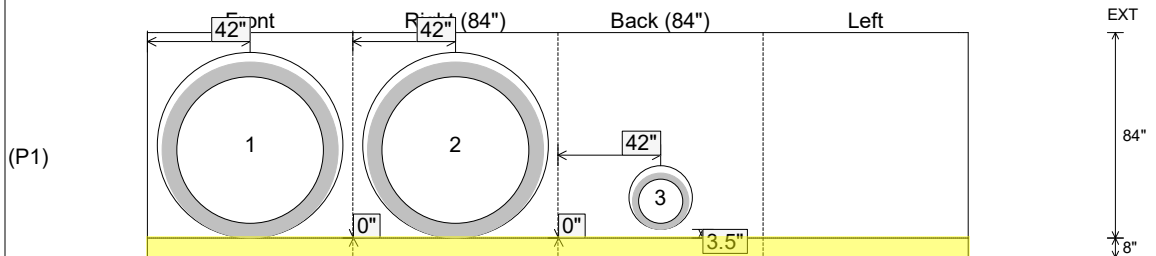
UPSIDE-DOWN VIEW (int. dimensions)



WEIGHTS:

FIRST POUR - 6,713 LBS.
SECOND POUR - 14,304 LBS.
TOTAL - 21,017 LBS.

INSIDE WALL DIMENSIONS



Coating (Int):
 Coating (Ext):

Seam Up: Flat
 Seam Dn: n/a

Wall Thickness: 8"
 Floor Height: 8"

Height (Int): 84"
 Height (Ext): 92"

Weight (Net): 21017 lb
 Volume (Net): 5.37cu.yd

Job Name: 25-1431 - Georgetown Commons
 Job Location: Georgetown, KY
 Contractor: Winwater Hartford KY Co.

Plant: Beaver Dam

Tech: J. Coppage

4/23/2026 11:20:43 AM

PC: A. Chambers



Structure ID: MH 301

P1 BX8484-08WFVF

BOX BASE 8inW, 8inF, Variable Ht

- P4) 24" - CASTING HEIGHT - 8"
- P3) 48" - ECC CONE w/ 24" HOLE - 24"
- P2) 84" x 84" - CB FT REDUCER 48" HOLE - 12"
- P1) 84" x 84" - BOX BASE 8inW, 8inF, Variable Ht - 84"
- 1) SECONDARY POUR - WALLS
- 1) CASTING - HOE KY-510 F/C (KY TY.2)
- 1) 84" x 84" - Conseal CS-102 1.00"
- 1) 48" - Conseal CS-102 1.00"
- 2) Hole - 76
- 1) Hole - 26
- 10) MH Step ML-10-TDS-NCR - 10"

0 lb
 1550 lb
 8247 lb
 21017 lb
 0 lb
 510 lb
 0 lb
 0 lb
 0 lb
 0 lb
 0 lb

 Structure Total: 31324 lb

Structure Notes:

- ** KYTC STATE PROJECT**
- 1. JR HOE KY-510 PROVIDED BY ICAST
- 2. PER KYTC MANHOLE TYPE C / ASTM C913 SPEC'S.
- 3. CONCRETE = 4,000 PSI AT 28 DAYS.
- 4. REINFORCING PER ASTM A615 (GRADE 60).
- TRANS. SLAB #5's AT 6" C.C.E.W (DBL MAT).
- WALLS #5's AT 6" C.C.E.W.
- FLOOR #5's AT 12" C.C.E.W..

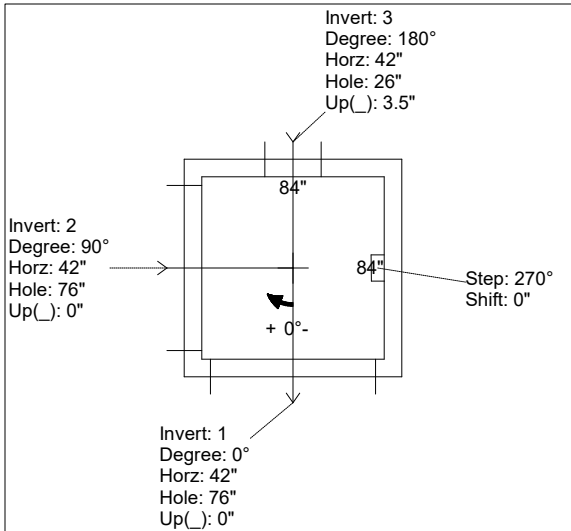
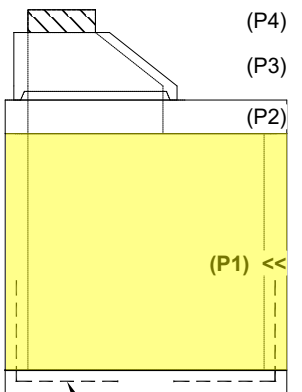
SECOND POUR DRAWING

Rim: 873.5' Rim to Invert: 10.25' Slack: 1" Sump: 6" Step Position: 270°

Position	Elev	Angle	Ext. (cw)	Pipe	Pipe OD	Connector	Hole	Horz Size	Up ()	Offset
Invert 1	863.25'	0°	50"	60" RCP B WALL	72"	Hole 76	76"	76"	0"	0"
Invert 2	863.25'	90°	50"	60" RCP B WALL	72"	Hole 76	76"	76"	0"	0"
Invert 3	863.25'	180°	50"	18" RCP B WALL	23"	Hole 26	26"	26"	3.5"	0"
Invert 4										
Invert 5										
Invert 6										
Invert 7										
Invert 8										

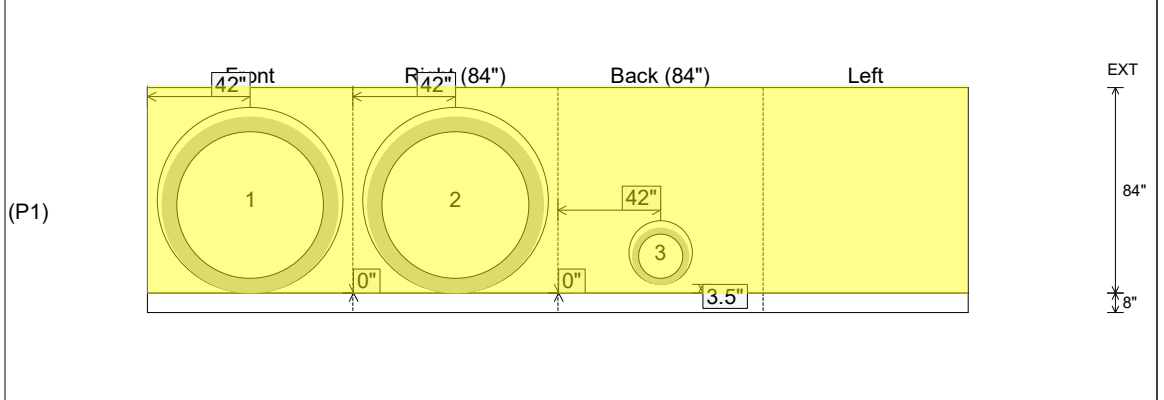
RIGHT-SIDE UP VIEW (int. dimensions)

UPSIDE-DOWN VIEW (int. dimensions)



WEIGHTS:
FIRST POUR - 6,713 LBS.
SECOND POUR - 14,304 LBS.
TOTAL - 21,017 LBS.

INSIDE WALL DIMENSIONS



Coating (Int): Coating (Ext):	Seam Up: Flat Seam Dn: n/a	Wall Thickness: 8" Floor Height: 8"	Height (Int): 84" Height (Ext): 92"	Weight (Net): 21017 lb Volume (Net): 5.37cu.yd
----------------------------------	-------------------------------	--	--	---