

Job Name: 25-1431 - Georgetown Commons
Job Location: Georgetown, KY
Contractor: Winwater Hartford KY Co.

PC: A. Chambers
 TECH: J. Coppage
 Plant: Beaver Dam



Structure ID: **MH 204**
 Spec: Storm
 Type: STM.MH
 Size: 84"

Rim: 867.5'
 Invert: 856.8'
 Rim to Invert: 10.7'

Sump: 3.5"
 Floor (Top): 856.508'
 Floor Height: 8"

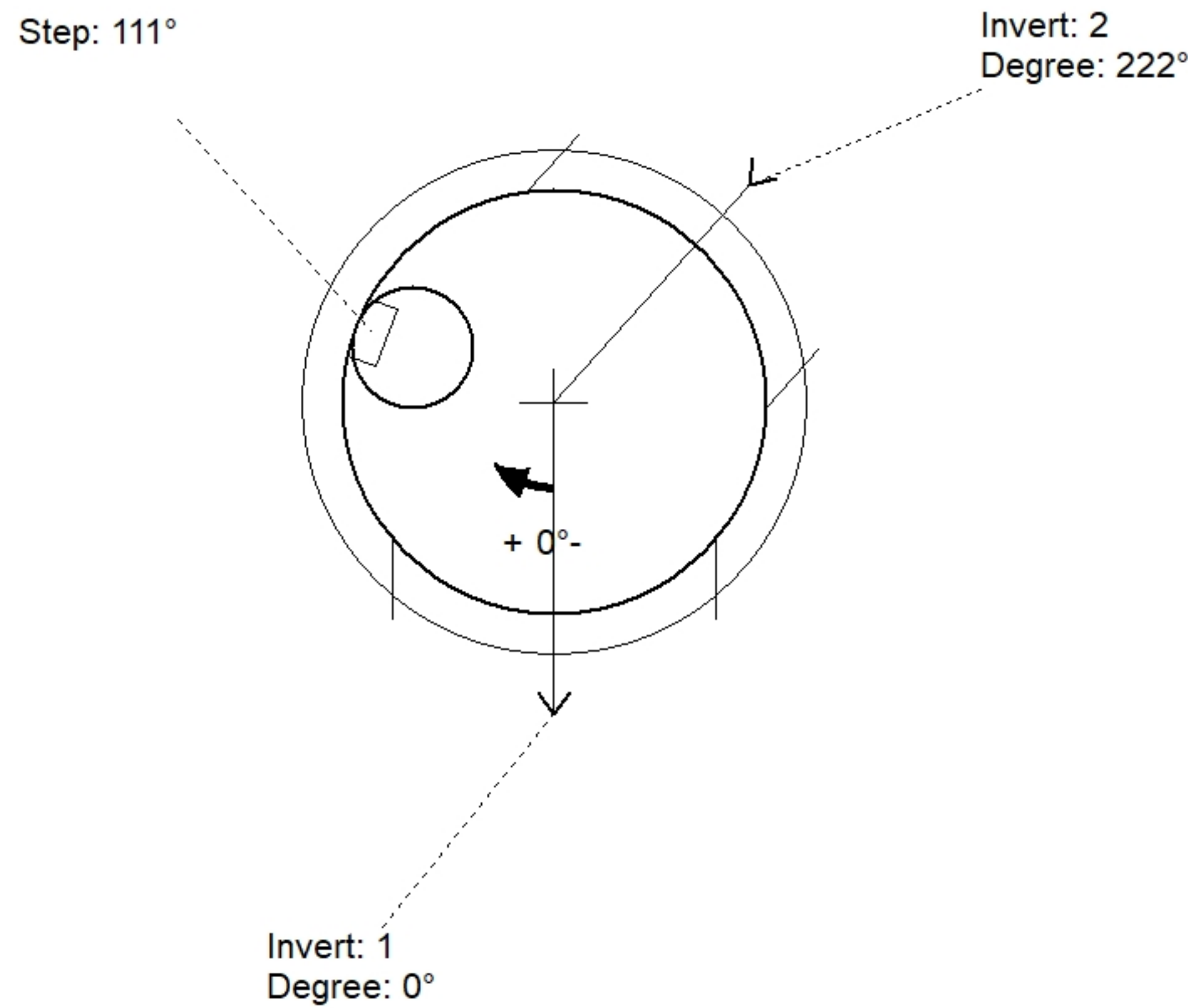
Floor (Bot): 855.842'
 Overall Height: 11.5'
 Slack: 1.9"

Structure Notes:

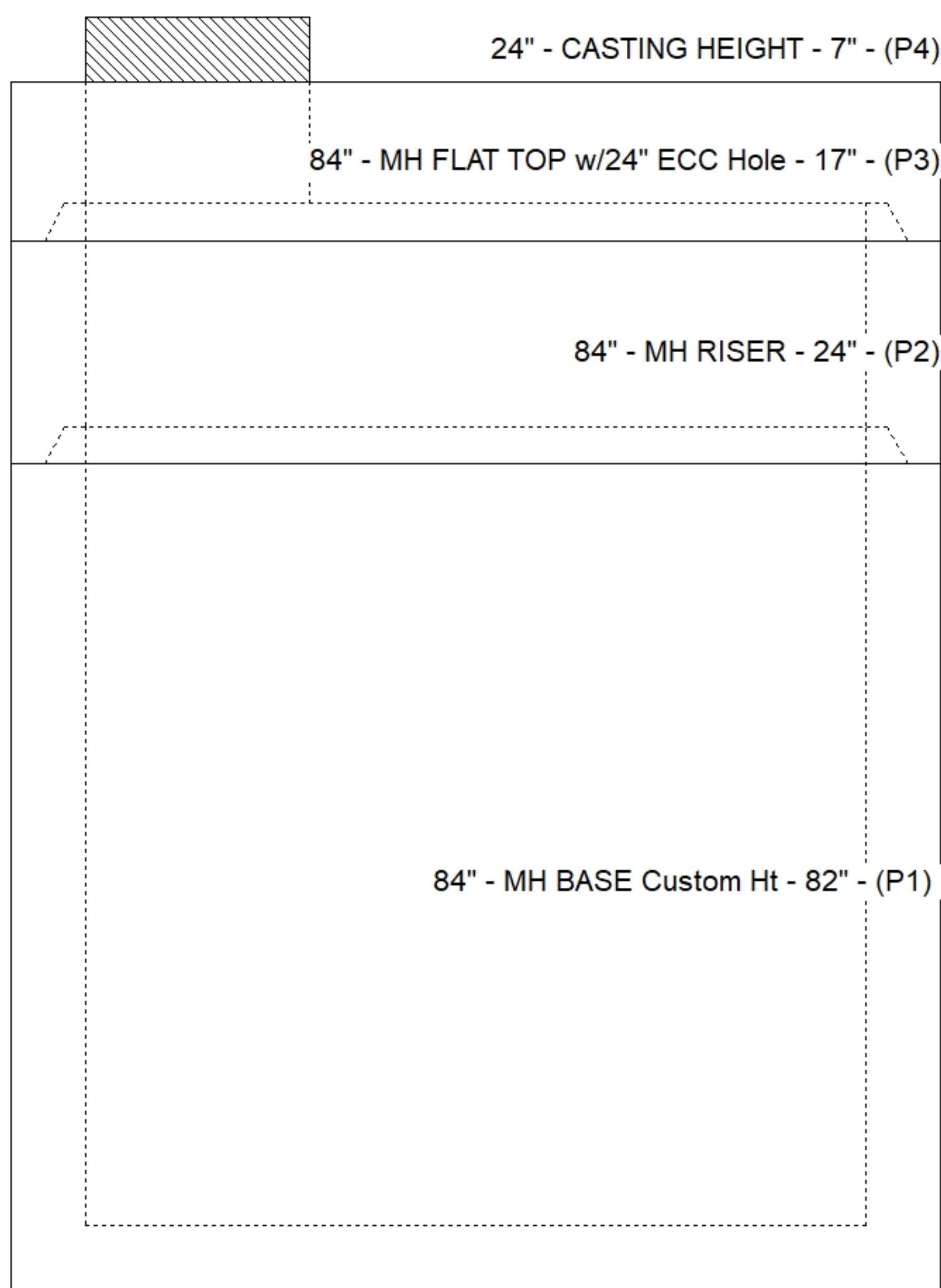
1. JR HOE MC-420 PROVIDED BY ICAST.
2. PER ASTM C478 SPECIFICATIONS.
3. CONCRETE = 4,000 PSI AT 28 DAYS.
4. REINFORCING PER ASTM A615 (GRADE 60).
 - TOP SLAB (As .62) #5 BARS AT 6" C.C.E.W.
 - RISER/WALLS (As .24)
 - FLOOR (As .47) #5 BARS AT 8" C.C.E.W.

STRUCTURE SUMMARY:

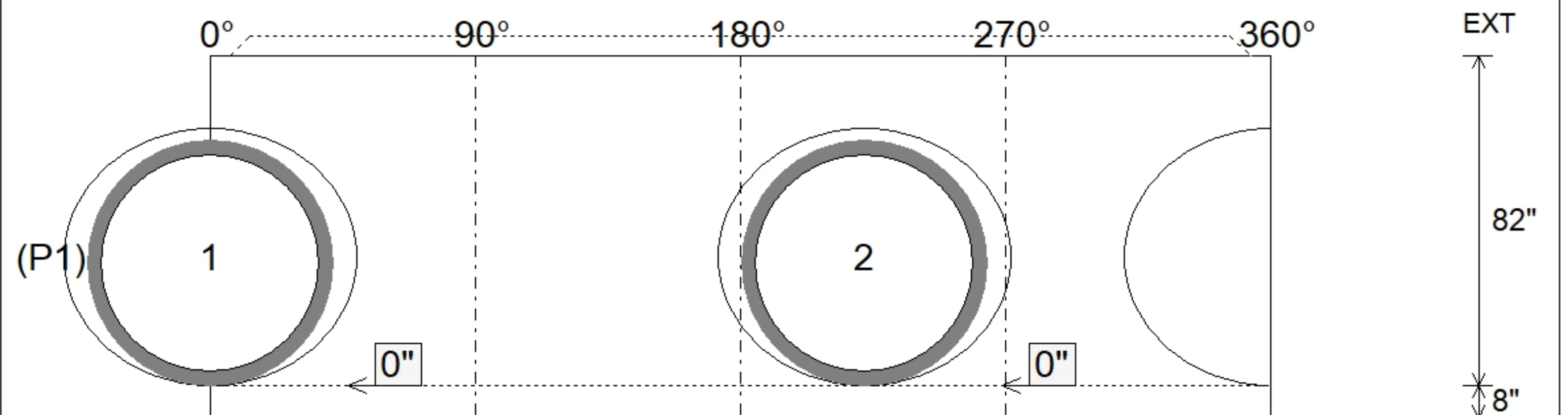
P4) 24" - CASTING HEIGHT - 7"	0 lb
P3) 84" - MH FLAT TOP w/24" ECC Hole - 17"	7959 lb
P2) 84" - MH RISER - 24"	4657 lb
P1) 84" - MH BASE Custom Ht - 82"	16383 lb
1) CASTING - HOE MC-420 F/C Storm LOU-MSD	340 lb
2) 84" - Conseal CS-102 1.00"	0 lb
2) Hole - 64	0 lb
9) MH Step ML-10-TDS-NCR - 10"	0 lb
Structure Total:	29339 lb



Position	Elev	Angle	Pipe	Pipe OD	Hole	Connector	Up ()	Ref
Rim	867.5'							
Reducer								
Invert 1	856.8'	0°	54" HDPE	61"	64"	Hole 64	0"	P1
Invert 2	856.8'	222°	54" HDPE	61"	64"	Hole 64	0"	P1
Invert 3								
Invert 4								
Invert 5								
Invert 6								
Invert 7								
Invert 8								



Default - Interior Dimensions



Submittal Drawing
 4/10/2026 10:35:16 AM

SUBMITTAL
 APPROVED BY: