

Job Name: 25-1431 - Georgetown Commons
Job Location: Georgetown, KY
Contractor: Winwater Hartford KY Co.

PC: A. Chambers
 TECH: J. Coppage
 Plant: Beaver Dam



Structure ID: MH 114
 Spec: Storm
 Type: STM.MH
 Size: 72"

Rim: 871.4'
 Invert: 860.95'
 Rim to Invert: 10.45'

Sump: 2.85"
 Floor (Top): 860.713'
 Floor Height: 8"

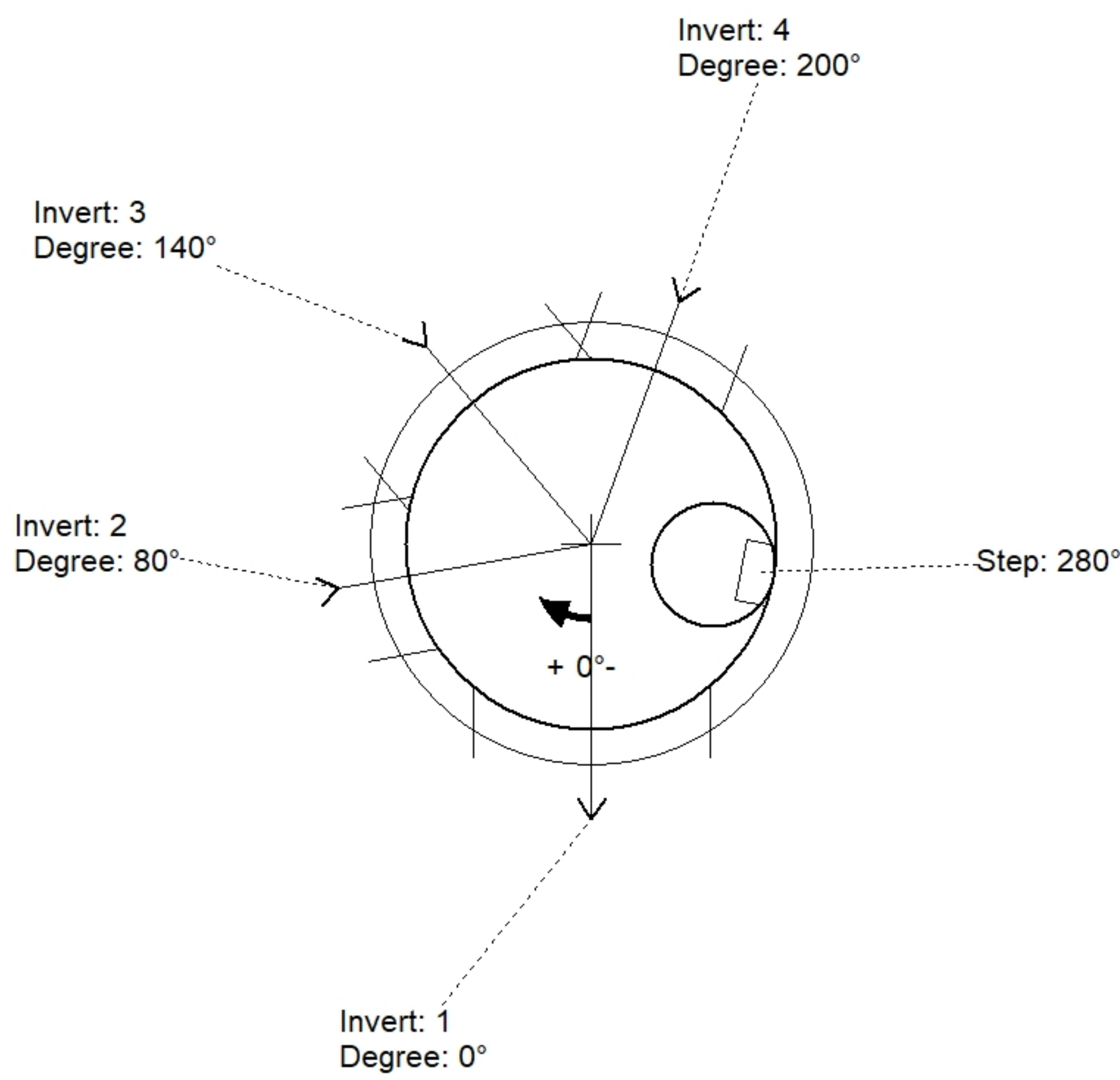
Floor (Bot): 860.046'
 Overall Height: 11.167'
 Slack: 2.25"

Structure Notes:

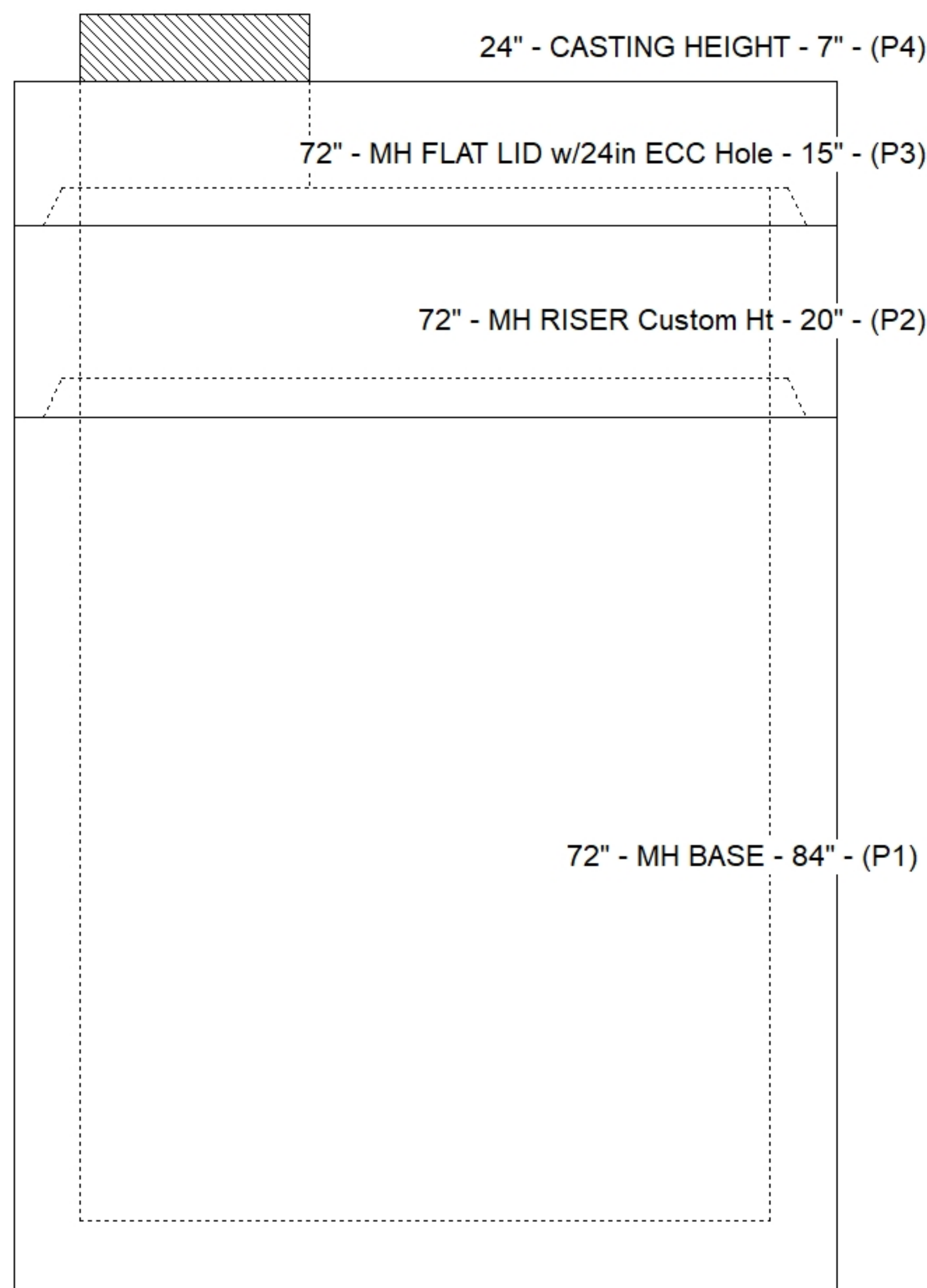
1. JR HOE MC-420 PROVIDED BY ICAST.
2. PER ASTM C478 SPECIFICATIONS.
3. CONCRETE = 4,000 PSI AT 28 DAYS.
4. REINFORCING PER ASTM A615 (GRADE 60).
 - TOP SLAB (As .62) #5 BARS AT 6" C.C.E.W..
 - RISER/WALLS (As .18)
 - FLOOR (As .37) #5 BARS AT 10" C.C.E.W.

STRUCTURE SUMMARY:

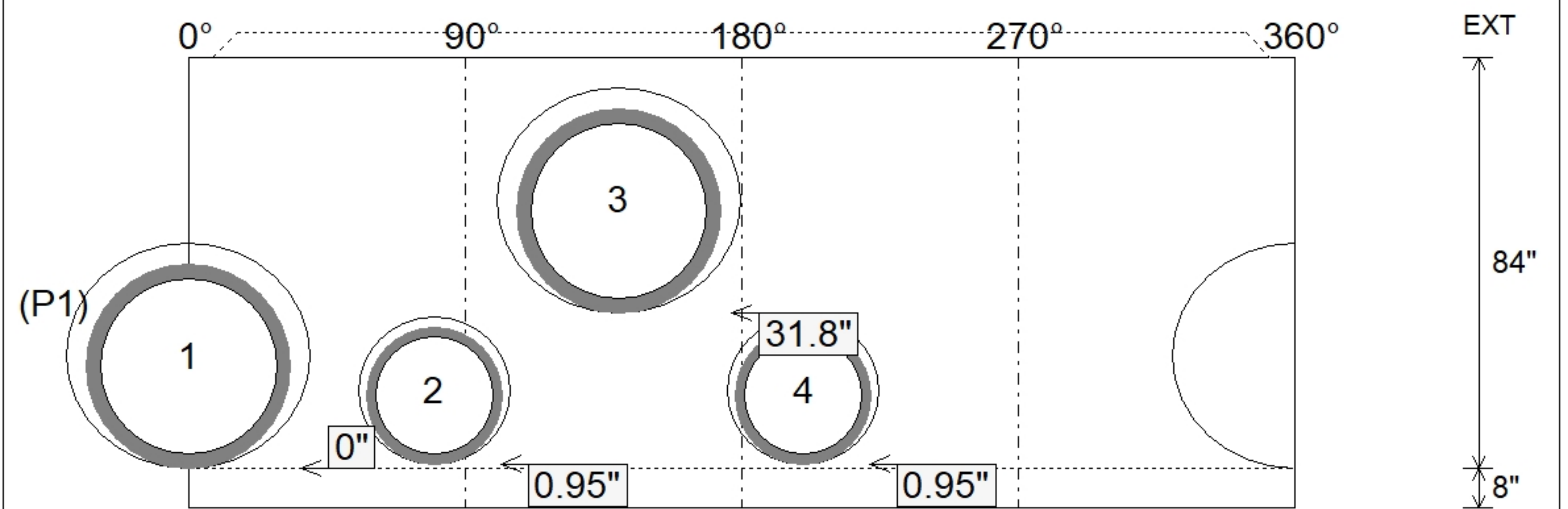
P4) 24" - CASTING HEIGHT - 7"	0 lb
P3) 72" - MH FLAT LID w/24in ECC Hole - 15"	5098 lb
P2) 72" - MH RISER Custom Ht - 20"	2916 lb
P1) 72" - MH BASE - 84"	13204 lb
1) CASTING - HOE MC-420 F/C Storm LOU-MSD	340 lb
2) 72" - Conseal CS-102 1.00"	0 lb
2) Hole - 46	0 lb
2) Hole - 30	0 lb
7) MH Step ML-10-TDS-NCR - 10"	0 lb
Structure Total:	21557 lb



Position	Elev	Angle	Pipe	Pipe OD	Hole	Connector	Up (")	Ref
Rim	871.4'							
Reducer								
Invert 1	860.95'	0°	36" HDPE	41.7"	46"	Hole 46	0"	P1
Invert 2	860.95'	80°	24" HDPE	27.8"	30"	Hole 30	0.95"	P1
Invert 3	863.6'	140°	36" HDPE	41.7"	46"	Hole 46	31.8"	P1
Invert 4	860.95'	200°	24" HDPE	27.8"	30"	Hole 30	0.95"	P1
Invert 5								
Invert 6								
Invert 7								
Invert 8								



Default - Interior Dimensions



Submittal Drawing
 4/24/2026 11:00:57 AM

SUBMITTAL
 APPROVED BY: