

Job Name: 25-1431 - Georgetown Commons
Job Location: Georgetown, KY
Contractor: Winwater Hartford KY Co.

PC: A. Chambers
 TECH: J. Coppage
 Plant: Beaver Dam



Structure ID: **DET RISER 323**

Spec: Storm
 Type: STM.MH
 Size: 72"

Rim: 869'
 Invert: 860.97'
 Rim to Invert: 8.03'

Sump: 4.5"
 Floor (Top): 860.595'
 Floor Height: 8"

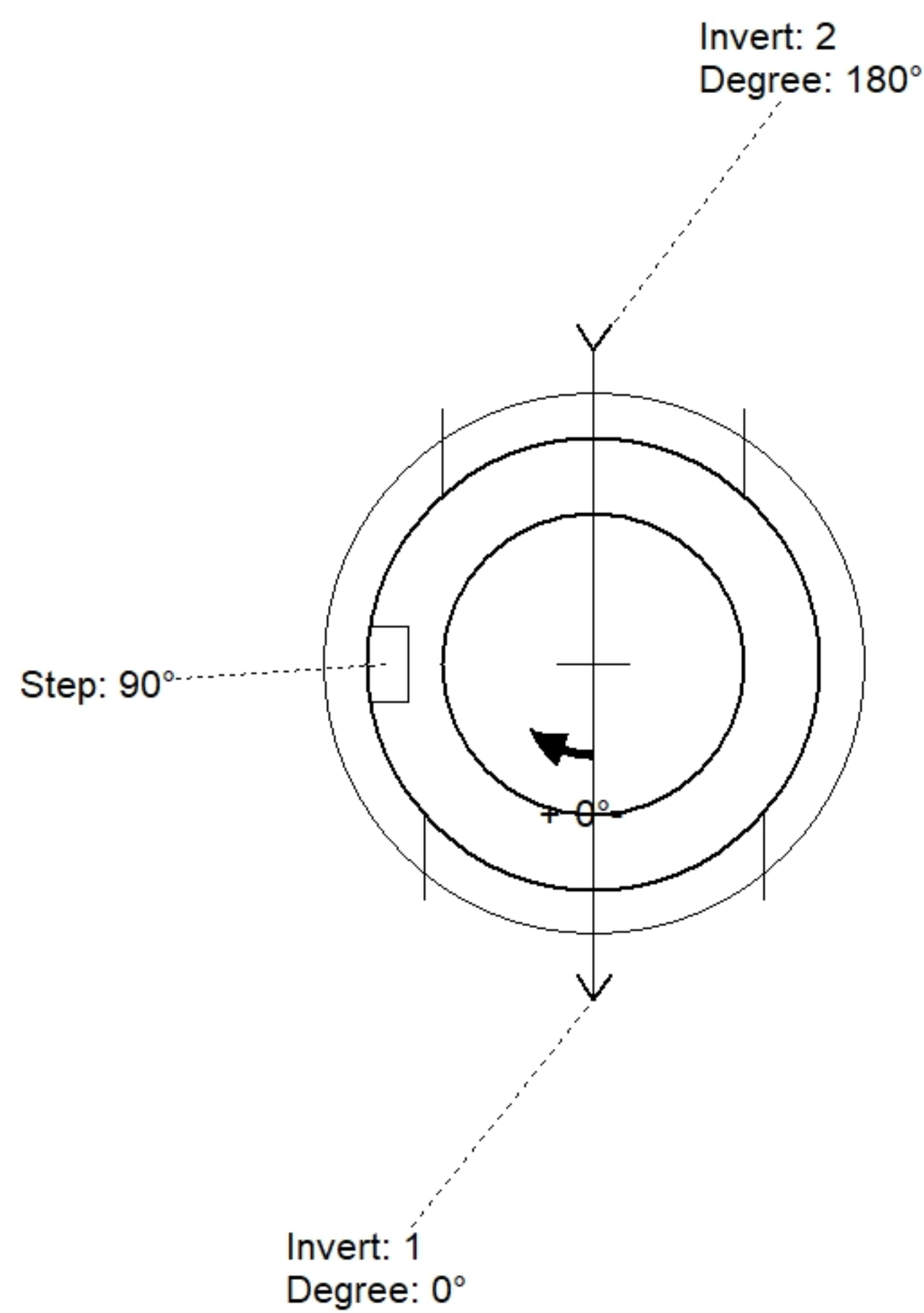
Floor (Bot): 859.928'
 Overall Height: 8.917'
 Slack: 1.86"

Structure Notes:

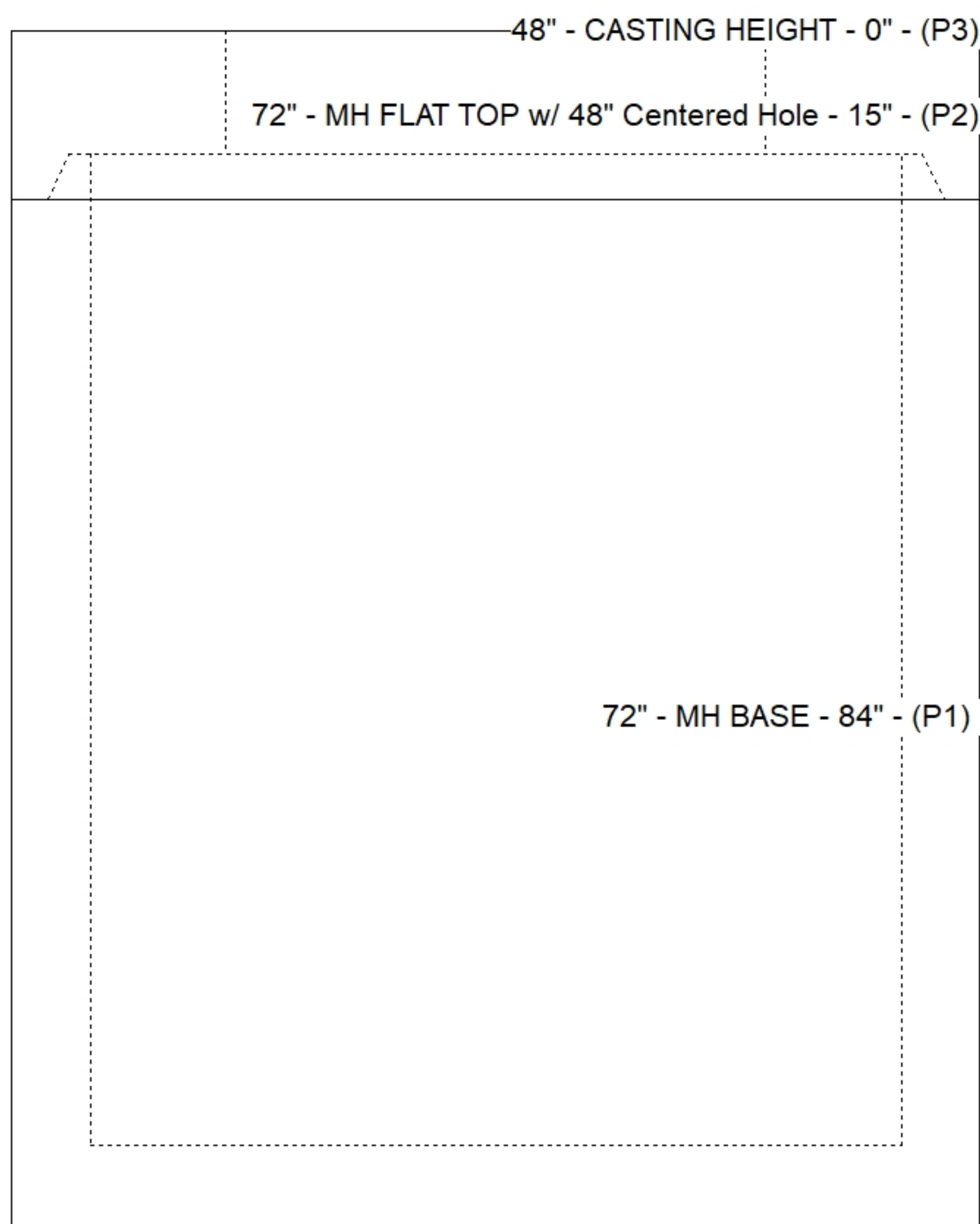
1. LDR-48 TRASH RACK PROVIDED BY ICAST.
2. PER ASTM C478 SPECIFICATIONS.
3. CONCRETE = 4,000 PSI AT 28 DAYS.
4. REINFORCING PER ASTM A615 (GRADE 60).
 - TOP SLAB (As .62) #5 BARS AT 6" C.C.E.W..
 - RISER/WALLS (As .18)
 - FLOOR (As .37) #5 BARS AT 10" C.C.E.W.

STRUCTURE SUMMARY:

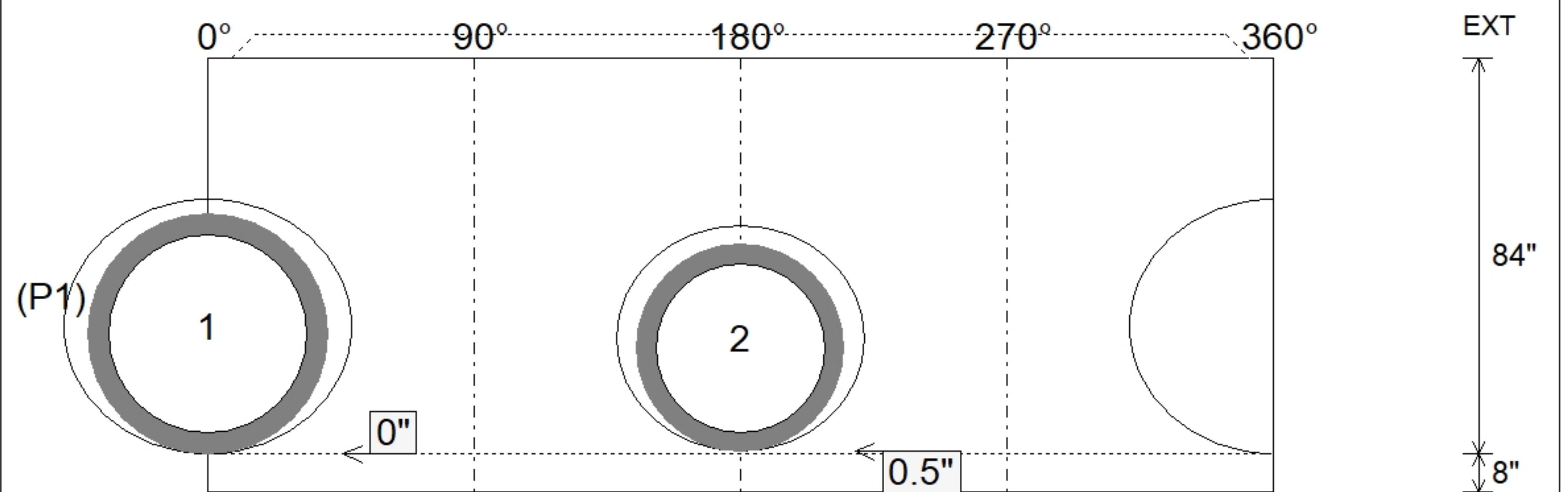
P3) 48" - CASTING HEIGHT - 0"	0 lb
P2) 72" - MH FLAT TOP w/ 48" Centered Hole - 15"	3739 lb
P1) 72" - MH BASE - 84"	13512 lb
1) CASTING - TRASHRACKS LDR-48 Round Flush Mount Grate	295 lb
1) 72" - Conseal CS-102 1.00"	0 lb
1) 48" - Conseal CS-102 1.00"	0 lb
1) Hole - 54	0 lb
1) Hole - 48	0 lb
7) MH Step ML-10-TDS-NCR - 10"	0 lb
Structure Total:	17546 lb



Position	Elev	Angle	Pipe	Pipe OD	Hole	Connector	Up ()	Ref
Rim	869'							
Reducer								
Invert 1	860.97'	0°	42" RCP B WALL	51"	54"	Hole 54	0"	P1
Invert 2	860.97'	180°	36" RCP B WALL	44"	48"	Hole 48	0.5"	P1
Invert 3								
Invert 4								
Invert 5								
Invert 6								
Invert 7								
Invert 8								



Default - Interior Dimensions



Submittal Drawing
 4/10/2026 10:35:20 AM

SUBMITTAL
 APPROVED BY: