

Job Name: 25-1431 - Georgetown Commons
 Job Location: Georgetown, KY
 Contractor: Winwater Hartford KY Co.

Plant: Beaver Dam
 4/9/2026 10:01:02 AM

Tech: J. Copping
 PC: A. Chambers



Structure ID: DET RISER 323

P2 MH072LD15SP

MH FLAT TOP w/ 48" Centered Hole

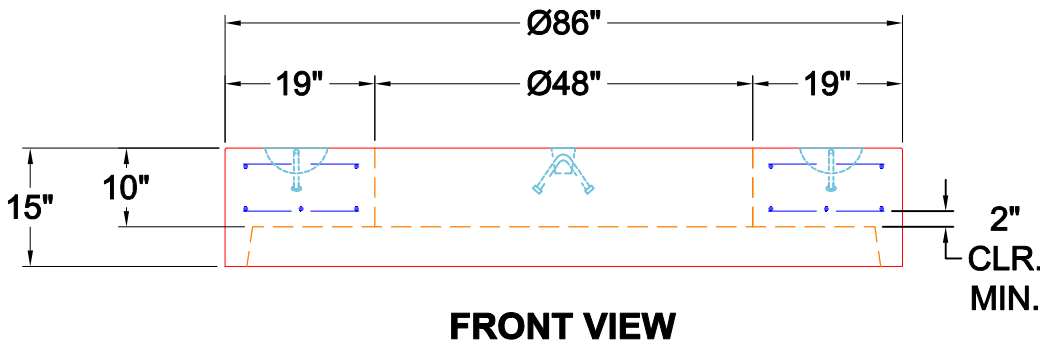
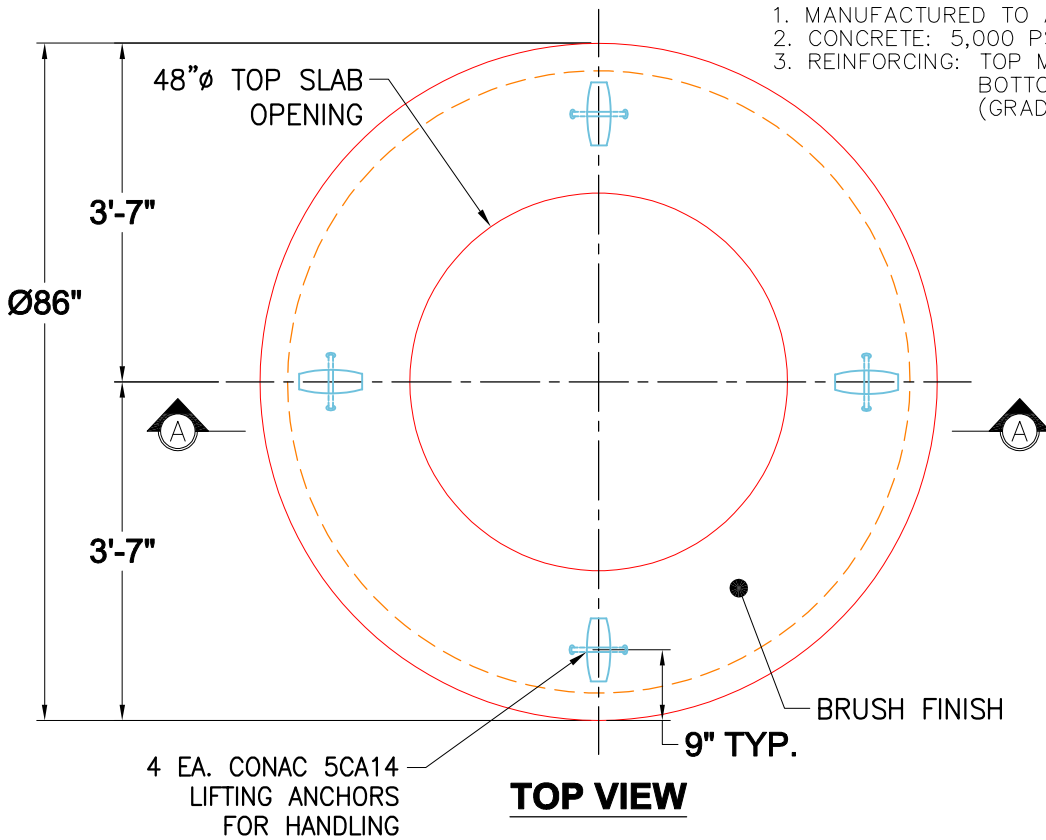
- P3) 48" - CASTING HEIGHT - 0"
- P2) 72" - MH FLAT TOP w/ 48" Centered Hole - 15"
- P1) 72" - MH BASE - 84"
- 1) CASTING - TRASHRACKS LDR-48 Round Flush Mount Grate
- 1) 72" - Conseal CS-102 1.00"
- 1) 48" - Conseal CS-102 1.00"
- 1) Hole - 54
- 1) Hole - 48
- 7) MH Step ML-10-TDS-NCR - 10"

- Structure Notes:**
1. LDR-48 TRASH RACK PROVIDED BY ICAST.
 2. PER ASTM C478 SPECIFICATIONS.
 3. CONCRETE = 4,000 PSI AT 28 DAYS.
 4. REINFORCING PER ASTM A615 (GRADE 60).
 - TOP SLAB - AS NOTED BELOW
 - RISER/WALLS (As .18)
 - FLOOR (As .37) #5 BARS AT 10" C.C.E.W.

Structure Total: 17546 lb

NOTES:

1. MANUFACTURED TO ASTM C-478 (LATEST REVISION).
2. CONCRETE: 5,000 PSI AT 28 DAYS.
3. REINFORCING: TOP MAT #4 @ 18" O.C. E.W.
 BOTTOM MAT #4 @ 9" O.C. E.W. (GRADE 60)



Coating (Int): Coating (Ext):	Seam Up: Flat Seam Dn: Groove	Wall Thickness: 7"	Height (Ext): 15"	Weight (Net): 3739 lb Volume (Net): 0.96cu.yd
----------------------------------	----------------------------------	--------------------	-------------------	--