

**Job Name: 25-1431 - Georgetown Commons**  
**Job Location: Georgetown, KY**  
**Contractor: Winwater Hartford KY Co.**

PC: A. Chambers  
 TECH: J. Coppage  
 Plant: Beaver Dam



Structure ID: DCI 35

Spec: Storm  
 Type: STM.MH  
 Size: 120"

Rim: 866.1'  
 Invert: 856.3'  
 Rim to Invert: 9.8'

Sump: 2.95"  
 Floor (Top): 856.054'  
 Floor Height: 12"

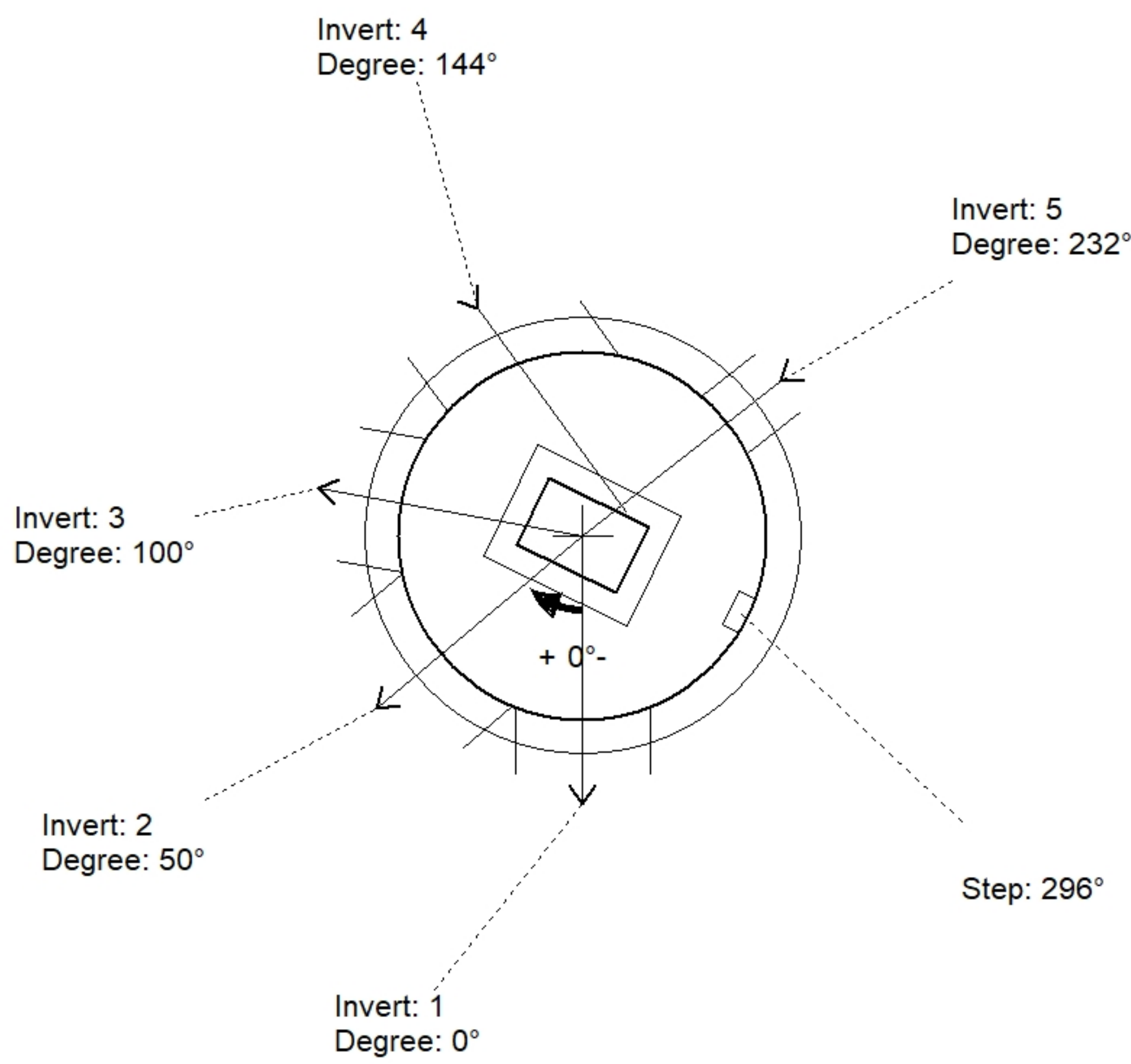
Floor (Bot): 855.054'  
 Overall Height: 10.833'  
 Slack: 2.55"

**Structure Notes:**

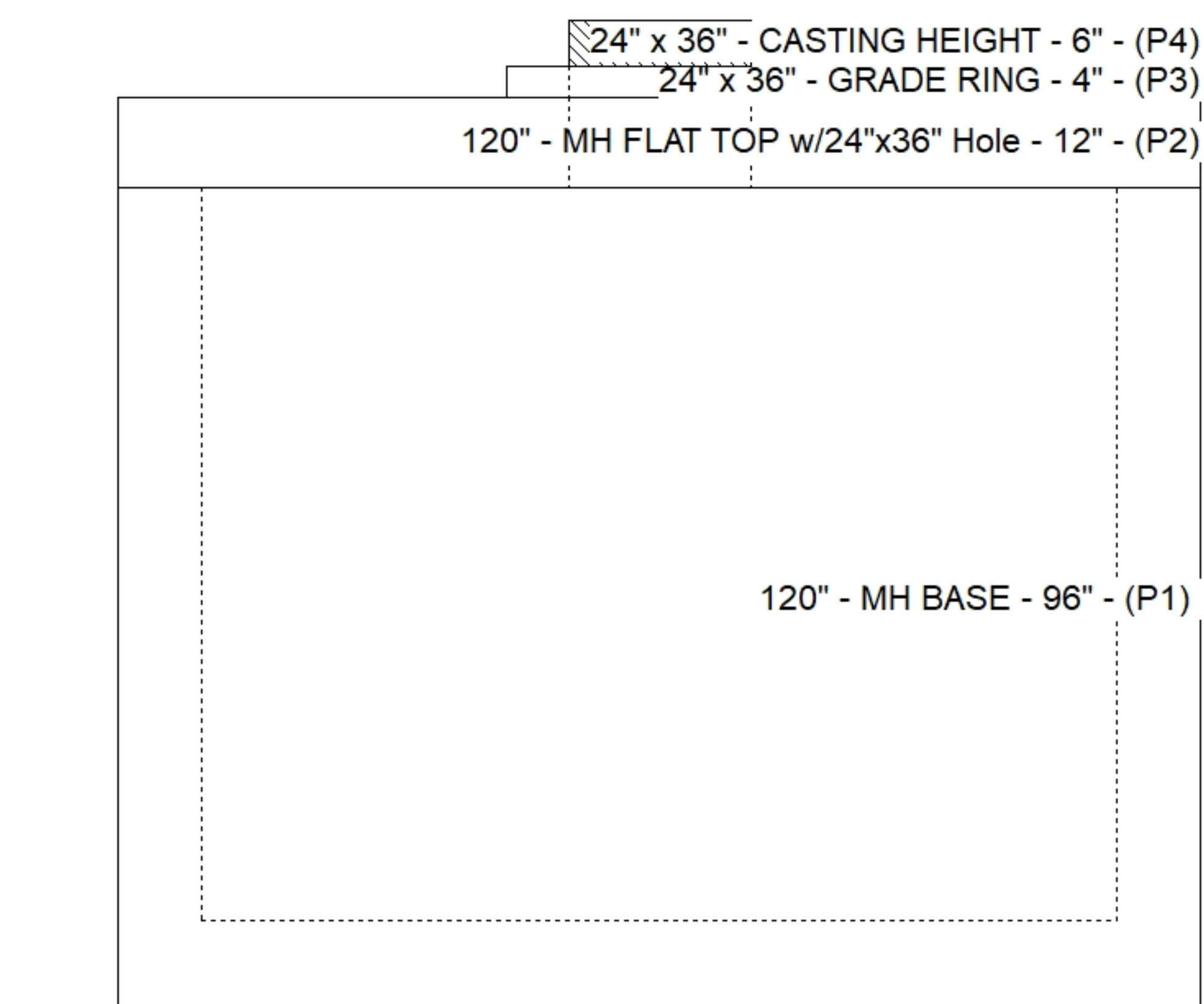
1. JR HOE HOE-470 PROVIDED BY ICAST.
2. PER ASTM C478 SPECIFICATIONS.
3. CONCRETE = 4,000 PSI AT 28 DAYS.
4. REINFORCING PER ASTM A615 (GRADE 60).
  - TOP SLAB (As .62) #5 BARS AT 6" C.C.E.W..
  - RISER/WALLS (As .36)
  - FLOOR (As .47) #5 BARS AT 8" C.C.E.W.

**STRUCTURE SUMMARY:**

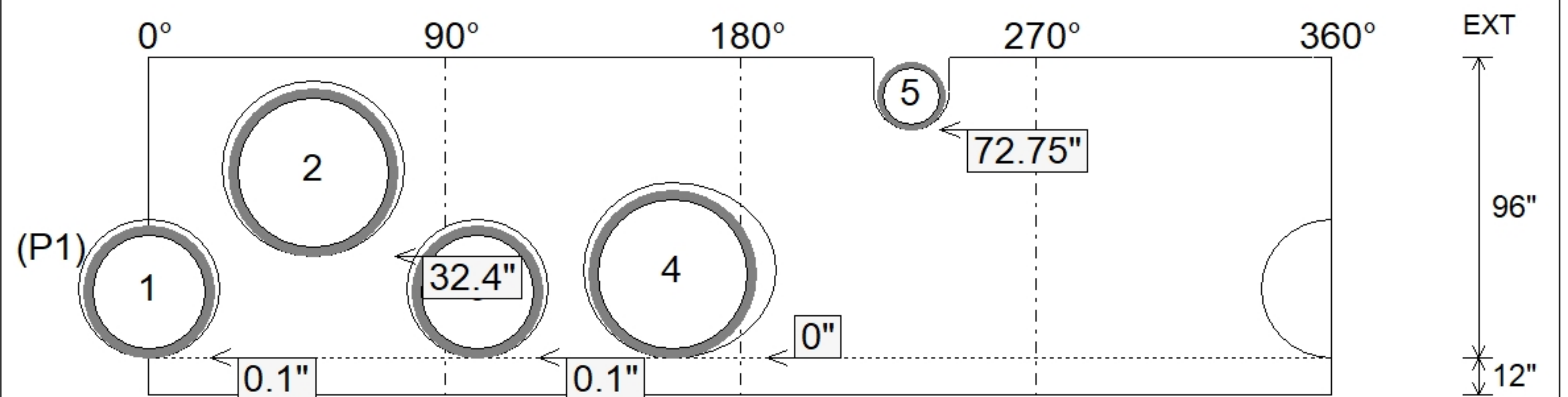
P4) 24" x 36" - CASTING HEIGHT - 6"	0 lb
P3) 24" x 36" - GRADE RING - 4"	408 lb
P2) 120" - MH FLAT TOP w/24"x36" Hole - 12"	15077 lb
P1) 120" - MH BASE - 96"	44280 lb
1) CASTING - HOE 470 SET (F/G/H)	394 lb
1) 120" - SGL 1.25"x14.5' Butyl (3x)	0 lb
2) Hole - 44	0 lb
2) Hole - 56	0 lb
1) DOGHOUSE INVRTD - 24"x23"	0 lb
8) MH Step ML-10-TDS-NCR - 10"	0 lb
<b>Structure Total:</b>	<b>60159 lb</b>



Position	Elev	Angle	Pipe	Pipe OD	Hole	Connector	Up ( )	Ref
Rim	866.1'							
Reducer								
Invert 1	856.3'	0°	36" HDPE	41.7"	44"	Hole 44	0.1"	P1
Invert 2	859'	50°	48" HDPE	53.5"	56"	Hole 56	32.4"	P1
Invert 3	856.3'	100°	36" HDPE	41.7"	44"	Hole 44	0.1"	P1
Invert 4	856.3'	144°	48" HDPE	53.5"	56"	Hole 56	0"	P1
Invert 5	862.25'	232°	18" HDPE	21.2"	24" x 23"	DOGHOUSE INVRTD 24"x23"	72.75"	P1
Invert 6								
Invert 7								
Invert 8								



**Default - Interior Dimensions**



Submittal Drawing  
 4/10/2026 10:35:15 AM

SUBMITTAL  
 APPROVED BY: