

Job Name: 25-1431 - Georgetown Commons
 Job Location: Georgetown, KY
 Contractor: Winwater Hartford KY Co.

Plant: Beaver Dam

Tech: J. Coppage

4/9/2026 9:59:49 AM

PC: A. Chambers



Structure ID: DCI 35

P1 MH120BVF

MH BASE

- P4) 24" x 36" - CASTING HEIGHT - 6"
- P3) 24" x 36" - GRADE RING - 4"
- P2) 120" - MH FLAT TOP w/24"x36" Hole - 12"
- P1) 120" - MH BASE - 96"
- 1) CASTING - HOE 470 SET (F/G/H)
- 1) 120" - SGL 1.25"x14.5' Butyl (3x)
- 2) Hole - 44
- 2) Hole - 56
- 1) DOGHOUSE INVRTD - 24"x23"
- 8) MH Step ML-10-TDS-NCR - 10"

- Structure Notes:**
1. JR HOE HOE-470 PROVIDED BY ICAST.
 2. PER ASTM C478 SPECIFICATIONS.
 3. CONCRETE = 4,000 PSI AT 28 DAYS.
 4. REINFORCING PER ASTM A615 (GRADE 60).
 - TOP SLAB (As .62) #5 BARS AT 6" C.C.E.W..
 - RISER/WALLS (As .36)
 - FLOOR (As .47) #5 BARS AT 8" C.C.E.W.

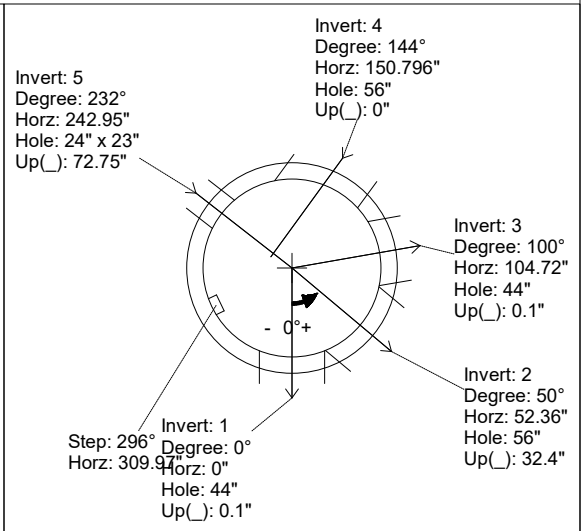
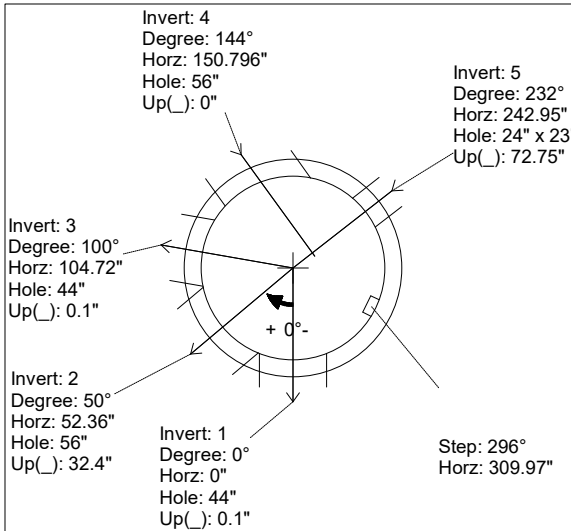
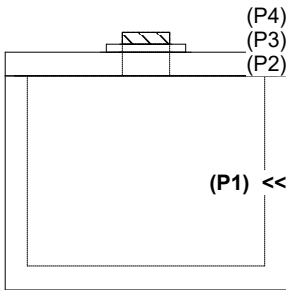
Structure Total: 60159 lb

Rim: 866.1' Rim to Invert: 9.8' Slack: 2.55" Sump: 2.95" Step Position: 296°

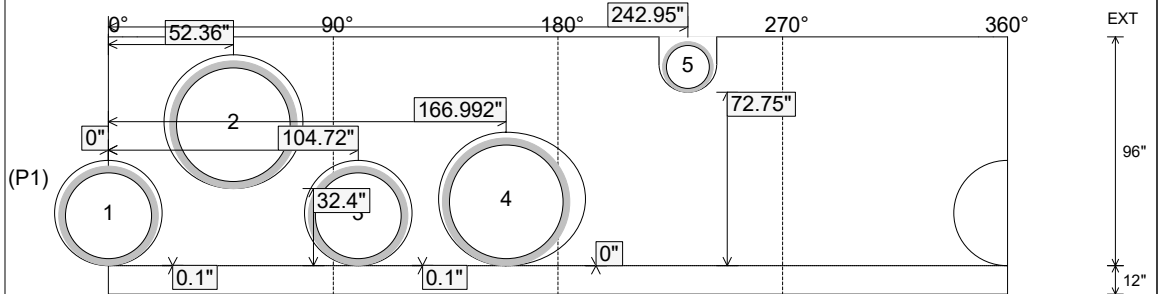
Position	Elev	Angle	Ext. (cw)	Pipe	Pipe OD	Connector	Hole	Horz Size	Up ()	Offset
Invert 1	856.3'	0°	0"	36" HDPE	41.7"	Hole 44	44"	45.051"	0.1"	0"
Invert 2	859'	50°	61.959"	48" HDPE	53.5"	Hole 56	56"	58.262"	32.4"	0"
Invert 3	856.3'	100°	123.918"	36" HDPE	41.7"	Hole 44	44"	45.051"	0.1"	0"
Invert 4	856.3'	144°	194.581"	48" HDPE	53.5"	Hole 56	56"	61.474"	0"	16"
Invert 5	862.25'	232°	287.491"	18" HDPE	21.2"	DOGHOUSE INVRTD 24"x23"	24" x 23"	24.163"	72.75"	0"
Invert 6										
Invert 7										
Invert 8										

RIGHT-SIDE UP VIEW (int. dimensions)

UPSIDE-DOWN VIEW (int. dimensions)



INSIDE WALL DIMENSIONS



Coating (Int):
Coating (Ext):

Seam Up: Flat
Seam Dn: n/a

Wall Thickness: 11"
Floor Height: 12"

Height (Int): 96"
Height (Ext): 108"

Weight (Net): 44280 lb
Volume (Net): 11.31cu.yd