

**Job Name: 25-1431 - Georgetown Commons**  
**Job Location: Georgetown, KY**  
**Contractor: Winwater Hartford KY Co.**

PC: A. Chambers  
 TECH: J. Coppage  
 Plant: Beaver Dam



Structure ID: DCI 34

Spec: Storm  
 Type: STM.MH  
 Size: 72"

Rim: 867.6'  
 Invert: 857.25'  
 Rim to Invert: 10.35'

Sump: 3.15"  
 Floor (Top): 856.988'  
 Floor Height: 8"

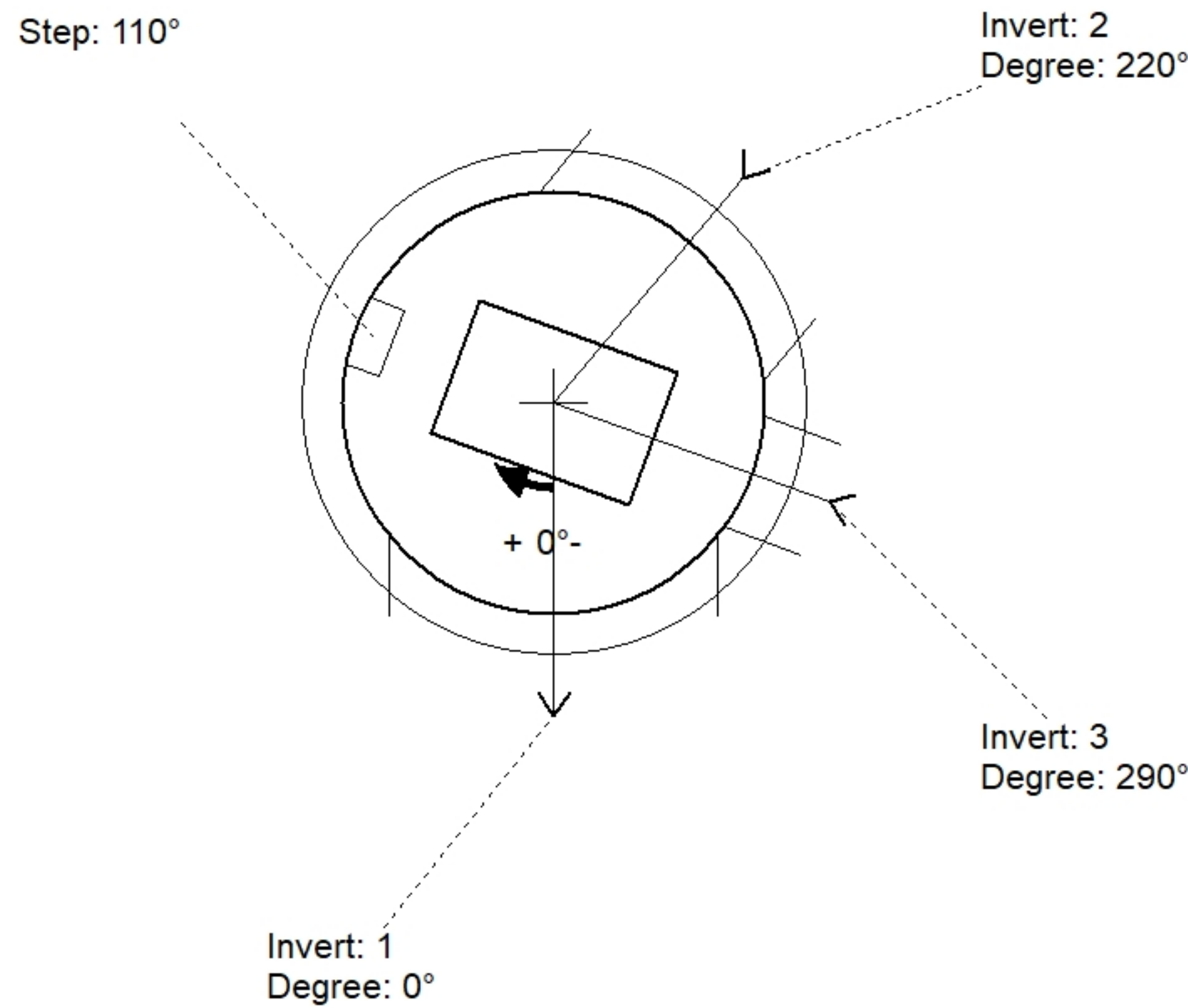
Floor (Bot): 856.321'  
 Overall Height: 11.083'  
 Slack: 2.35"

**Structure Notes:**

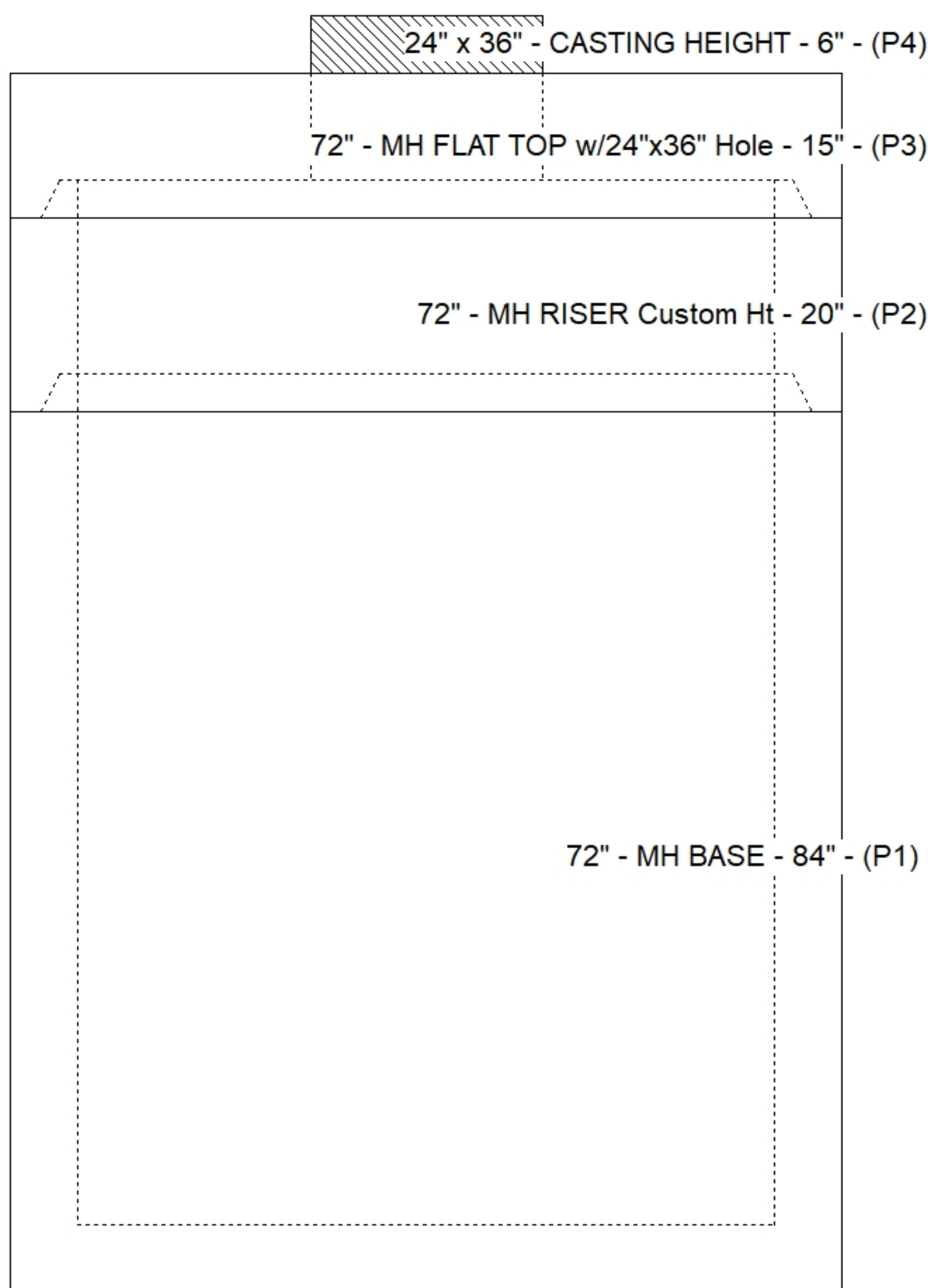
1. JR HOE HOE-470 PROVIDED BY ICAST.
2. PER ASTM C478 SPECIFICATIONS.
3. CONCRETE = 4,000 PSI AT 28 DAYS.
4. REINFORCING PER ASTM A615 (GRADE 60).
  - TOP SLAB (As .62) #5 BARS AT 6" C.C.E.W..
  - RISER/WALLS (As .18)
  - FLOOR (As .37) #5 BARS AT 10" C.C.E.W.

**STRUCTURE SUMMARY:**

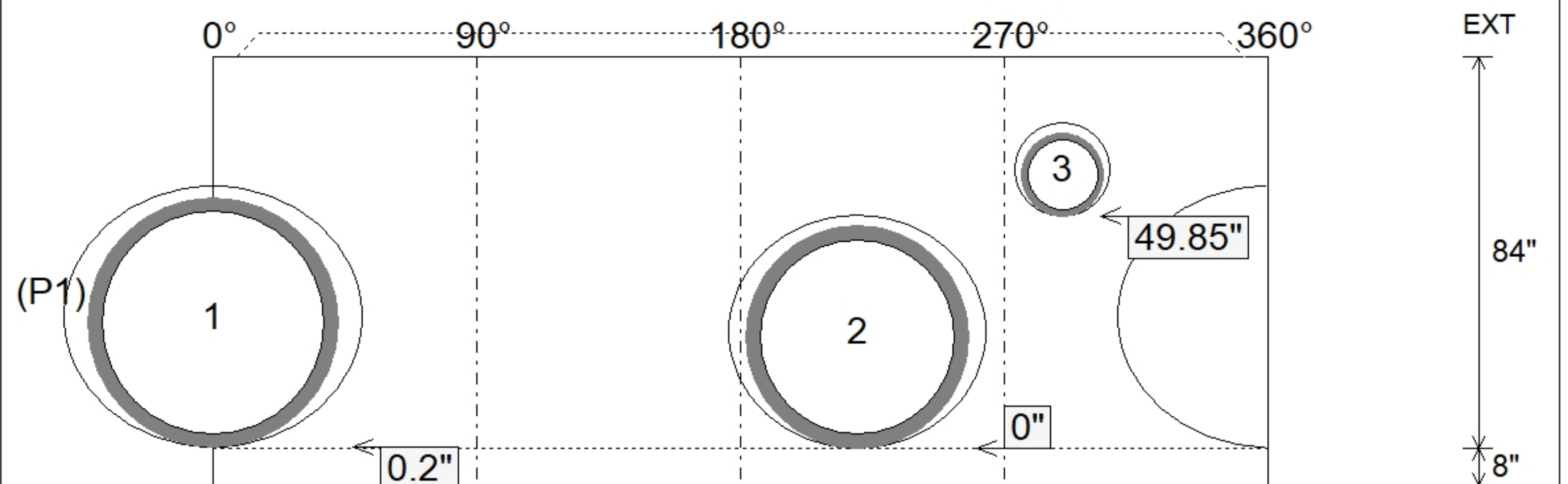
P4) 24" x 36" - CASTING HEIGHT - 6"	0 lb
P3) 72" - MH FLAT TOP w/24"x36" Hole - 15"	4530 lb
P2) 72" - MH RISER Custom Ht - 20"	2916 lb
P1) 72" - MH BASE - 84"	13089 lb
1) CASTING - HOE 470 SET (F/G/H)	394 lb
2) 72" - Conseal CS-102 1.00"	0 lb
1) 24" x 36" - Conseal CS-102 1.00"	0 lb
1) Hole - 56	0 lb
1) Hole - 50	0 lb
1) Hole - 20	0 lb
7) MH Step ML-10-TDS-NCR - 10"	0 lb
<b>Structure Total:</b>	<b>20928 lb</b>



Position	Elev	Angle	Pipe	Pipe OD	Hole	Connector	Up ( )	Ref
Rim	867.6'							
Reducer								
Invert 1	857.25'	0°	48" HDPE	53.5"	56"	Hole 56	0.2"	P1
Invert 2	857.25'	220°	42" HDPE	47.7"	50"	Hole 50	0"	P1
Invert 3	861.25'	290°	15" HDPE	17.6"	20"	Hole 20	49.85"	P1
Invert 4								
Invert 5								
Invert 6								
Invert 7								
Invert 8								



**Default - Interior Dimensions**



Submittal Drawing  
 4/10/2026 10:35:14 AM

SUBMITTAL  
 APPROVED BY: