

Job Name: 25-1431 - Georgetown Commons  
 Job Location: Georgetown, KY  
 Contractor: Winwater Hartford KY Co.

Plant: Beaver Dam

4/9/2026 9:59:48 AM

Tech: J. Coppage

PC: A. Chambers



**Structure ID: DCI 34**

**P1 MH072BA84**

**MH BASE**

- P4) 24" x 36" - CASTING HEIGHT - 6"
- P3) 72" - MH FLAT TOP w/24"x36" Hole - 15"
- P2) 72" - MH RISER Custom Ht - 20"
- P1) 72" - MH BASE - 84"
- 1) CASTING - HOE 470 SET (F/G/H)
- 2) 72" - Conseal CS-102 1.00"
- 1) 24" x 36" - Conseal CS-102 1.00"
- 1) Hole - 56
- 1) Hole - 50
- 1) Hole - 20
- 7) MH Step ML-10-TDS-NCR - 10"

- Structure Notes:**
1. JR HOE HOE-470 PROVIDED BY ICAST.
  2. PER ASTM C478 SPECIFICATIONS.
  3. CONCRETE = 4,000 PSI AT 28 DAYS.
  4. REINFORCING PER ASTM A615 (GRADE 60).
    - TOP SLAB (As .62) #5 BARS AT 6" C.C.E.W..
    - RISER/WALLS (As .18)
    - FLOOR (As .37) #5 BARS AT 10" C.C.E.W.

0 lb  
 4530 lb  
 2916 lb  
 13089 lb  
 394 lb  
 0 lb  
 0 lb  
 0 lb  
 0 lb  
 0 lb  
 0 lb  
 0 lb

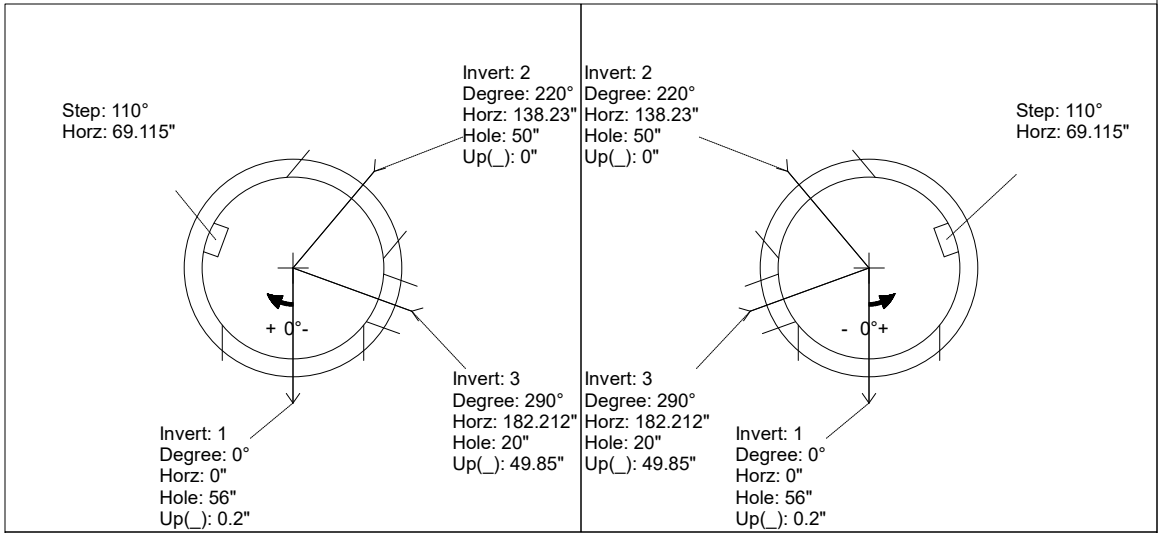
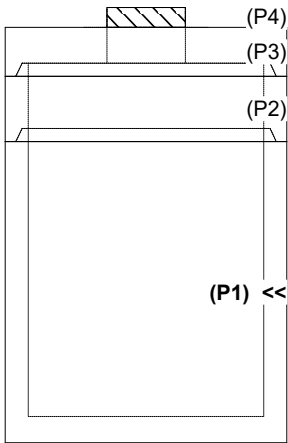
Structure Total: 20928 lb

Rim: 867.6' Rim to Invert: 10.35' Slack: 2.35" Sump: 3.15" Step Position: 110°

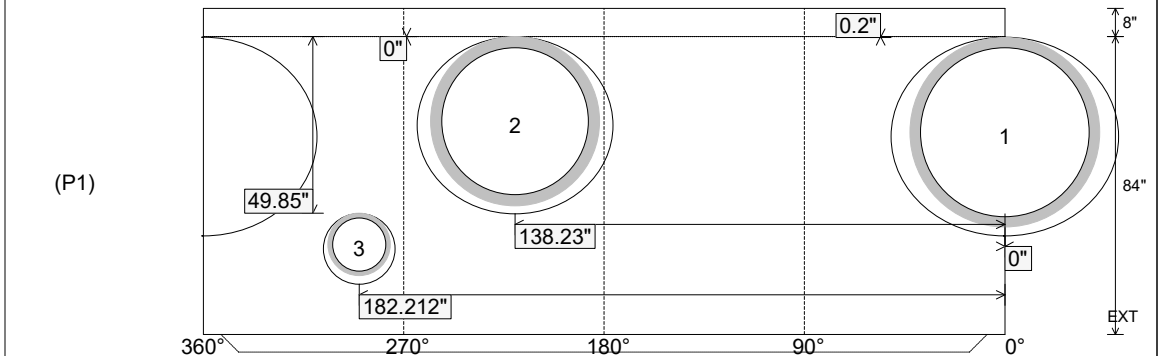
Position	Elev	Angle	Ext. (cw)	Pipe	Pipe OD	Connector	Hole	Horz Size	Up ( )	Offset
Invert 1	857.25'	0°	0"	48" HDPE	53.5"	Hole 56	56"	64.161"	0.2"	0"
Invert 2	857.25'	220°	165.108"	42" HDPE	47.7"	Hole 50	50"	55.271"	0"	0"
Invert 3	861.25'	290°	217.643"	15" HDPE	17.6"	Hole 20	20"	20.267"	49.85"	0"
Invert 4										
Invert 5										
Invert 6										
Invert 7										
Invert 8										

RIGHT-SIDE UP VIEW (int. dimensions)

UPSIDE-DOWN VIEW (int. dimensions)



INSIDE WALL DIMENSIONS



Coating (Int):  
 Coating (Ext):

Seam Up: Tongue  
 Seam Dn: n/a

Wall Thickness: 7"  
 Floor Height: 8"

Height (Int): 84"  
 Height (Ext): 92"

Weight (Net): 13089 lb  
 Volume (Net): 3.34cu.yd