

Job Name: 25-1431 - Georgetown Commons
Job Location: Georgetown, KY
Contractor: Winwater Hartford KY Co.

PC: A. Chambers
 TECH: J. Coppage
 Plant: Beaver Dam



Structure ID: DCI 32
 Spec: Storm
 Type: STM.MH
 Size: 84"

Rim: 866.5'
 Invert: 858.75'
 Rim to Invert: 7.75'

Sump: 3.15"
 Floor (Top): 858.488'
 Floor Height: 8"

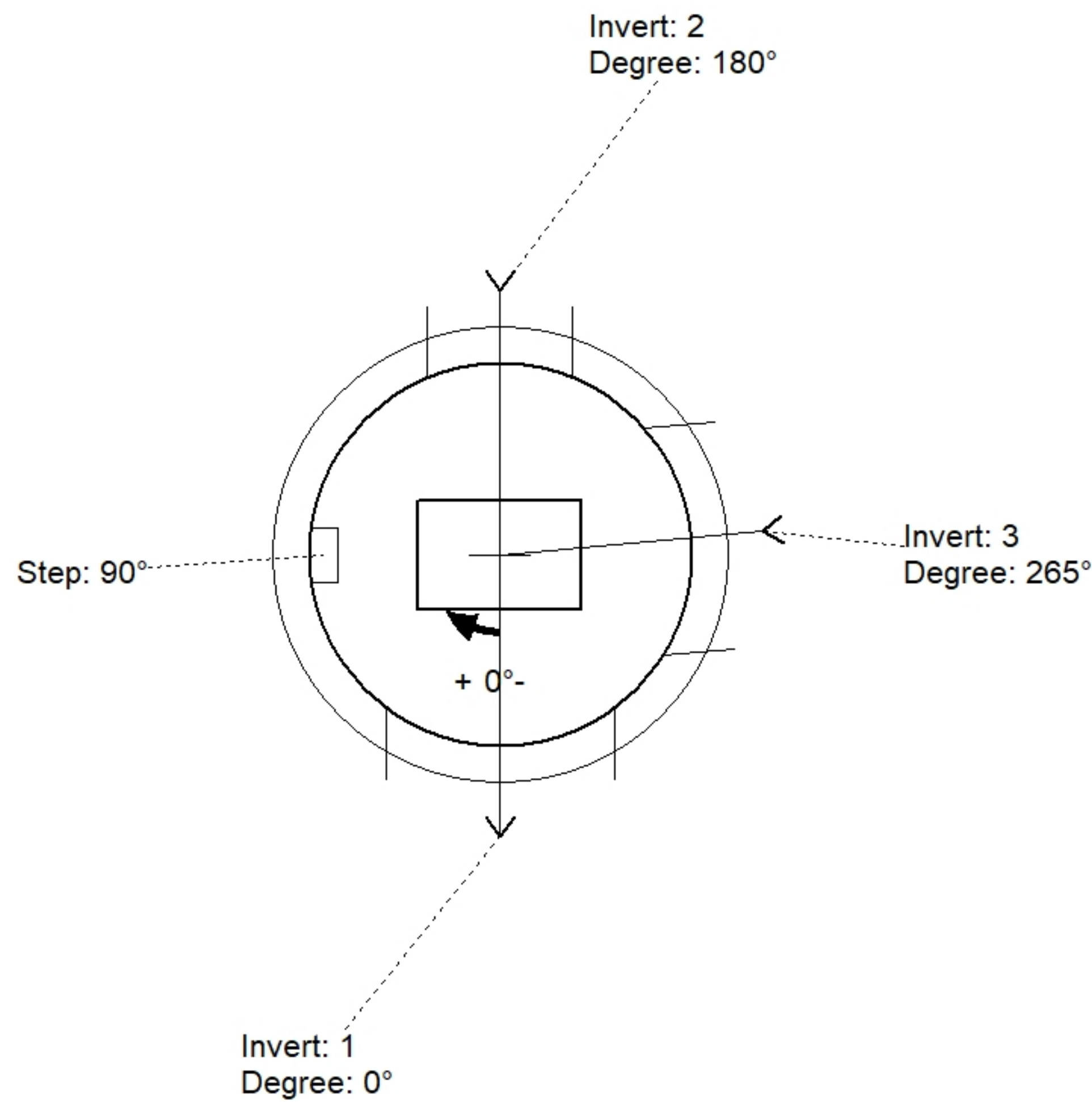
Floor (Bot): 857.821'
 Overall Height: 8.5'
 Slack: 2.15"

Structure Notes:

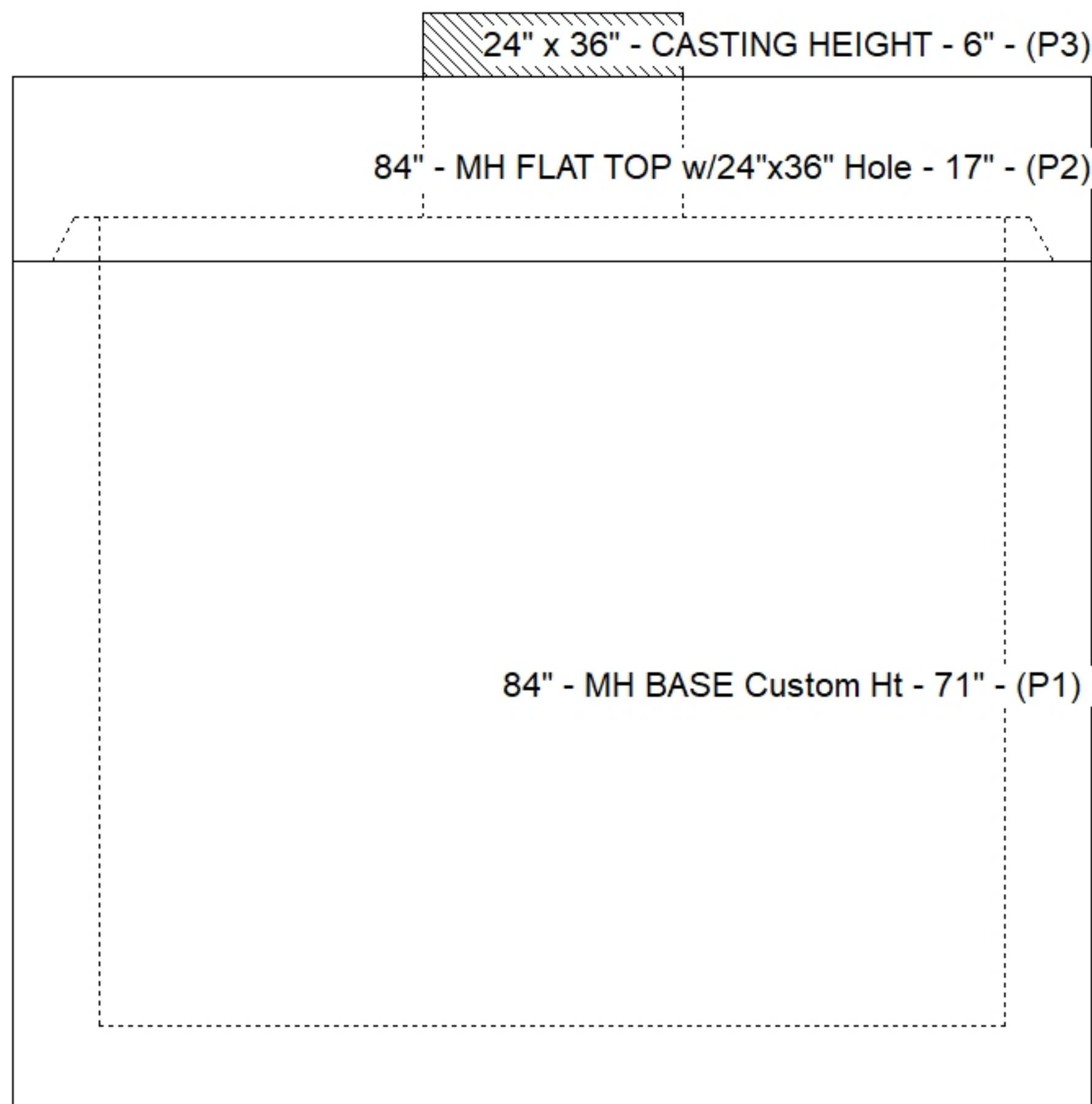
- JR HOE HOE-470 PROVIDED BY ICAST.
- PER ASTM C478 SPECIFICATIONS.
- CONCRETE = 4,000 PSI AT 28 DAYS.
- REINFORCING PER ASTM A615 (GRADE 60).
 - TOP SLAB (As .62) #5 BARS AT 6" C.C.E.W..
 - RISER/WALLS (As .18)
 - FLOOR (As .37) #5 BARS AT 10" C.C.E.W.

STRUCTURE SUMMARY:

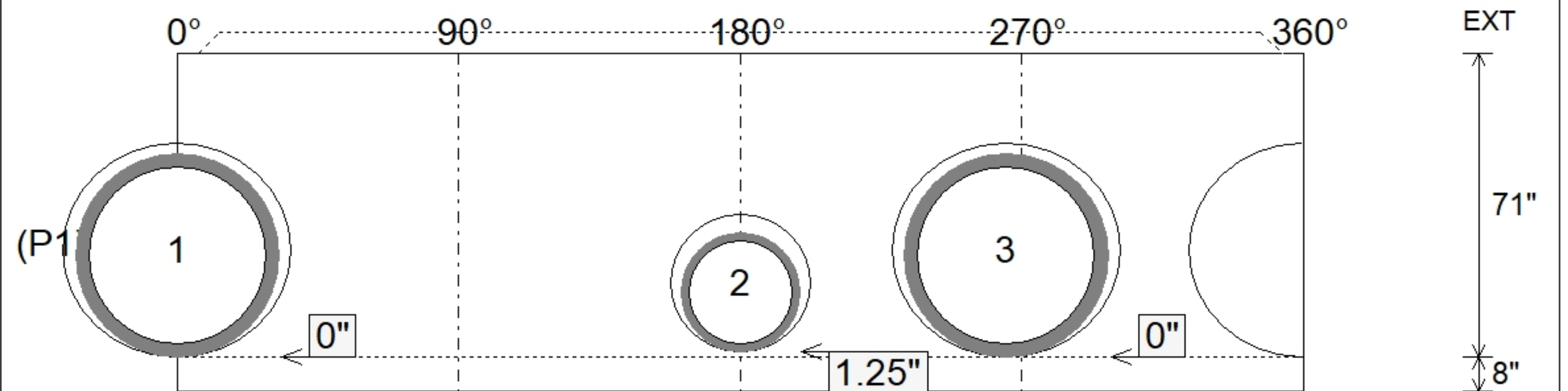
P3) 24" x 36" - CASTING HEIGHT - 6"	0 lb
P2) 84" - MH FLAT TOP w/24"x36" Hole - 17"	5994 lb
P1) 84" - MH BASE Custom Ht - 71"	15704 lb
1) CASTING - HOE 470 SET (F/G/H)	394 lb
1) 84" - Conseal CS-102 1.00"	0 lb
1) 24" x 36" - Conseal CS-102 1.00"	0 lb
2) Hole - 50	0 lb
1) Hole - 32	0 lb
6) MH Step ML-10-TDS-NCR - 10"	0 lb
Structure Total:	22092 lb



Position	Elev	Angle	Pipe	Pipe OD	Hole	Connector	Up (")	Ref
Rim	866.5'							
Reducer								
Invert 1	858.75'	0°	42" HDPE	47.7"	50"	Hole 50	0"	P1
Invert 2	858.75'	180°	24" HDPE	27.8"	32"	Hole 32	1.25"	P1
Invert 3	858.75'	265°	42" HDPE	47.7"	50"	Hole 50	0"	P1
Invert 4								
Invert 5								
Invert 6								
Invert 7								
Invert 8								



Default - Interior Dimensions



Submittal Drawing
 4/24/2026 11:00:45 AM

SUBMITTAL
 APPROVED BY: