

**Job Name: 25-1431 - Georgetown Commons**  
**Job Location: Georgetown, KY**  
**Contractor: Winwater Hartford KY Co.**

PC: A. Chambers  
 TECH: J. Coppage  
 Plant: Beaver Dam



Structure ID: DCI 28

Spec: Storm  
 Type: STM.MH  
 Size: 60"

Rim: 867.75'  
 Invert: 860.9'  
 Rim to Invert: 6.85'

Sump: 2.85"  
 Floor (Top): 860.663'  
 Floor Height: 8"

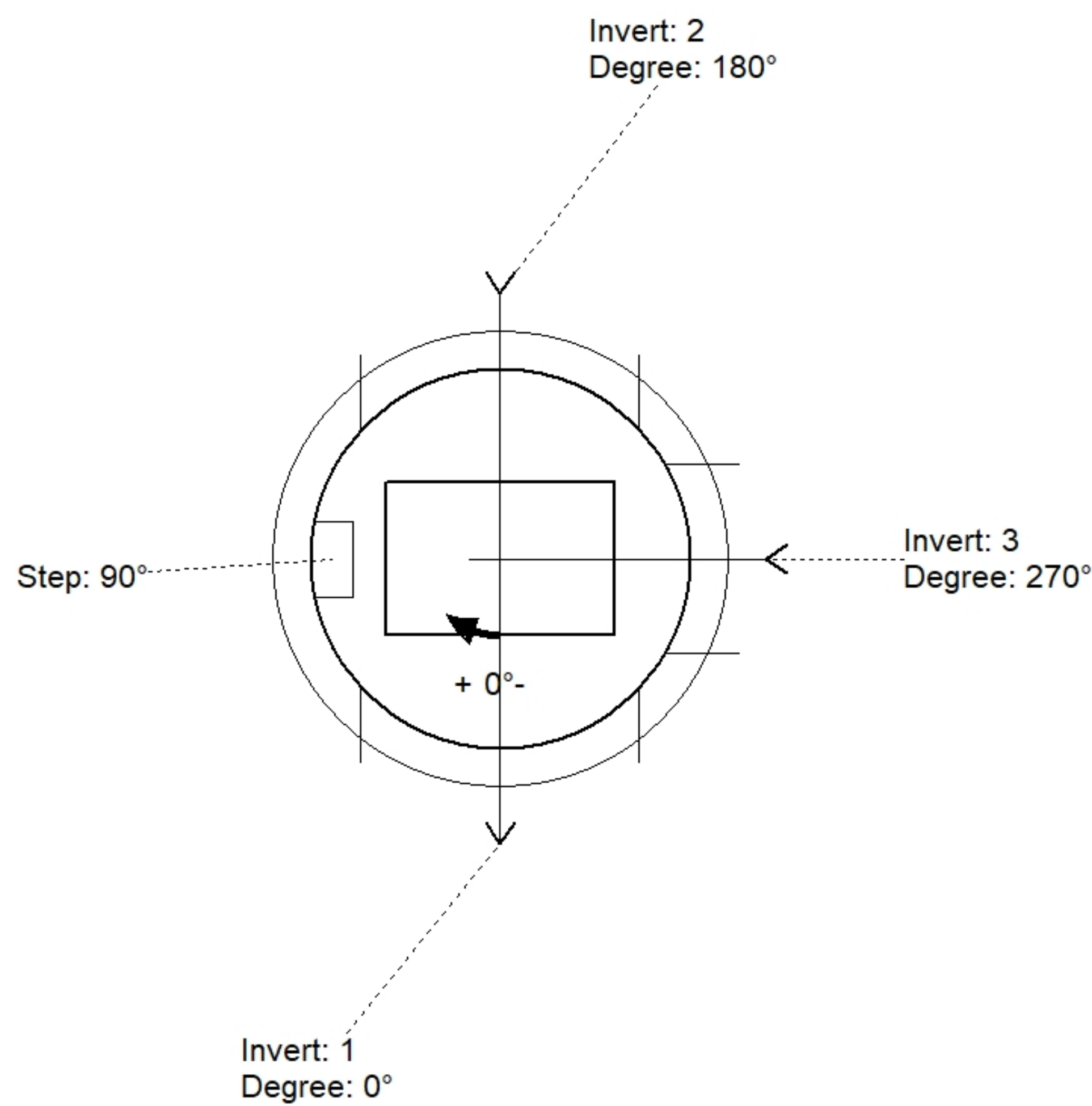
Floor (Bot): 859.996'  
 Overall Height: 7.583'  
 Slack: 2.05"

**Structure Notes:**

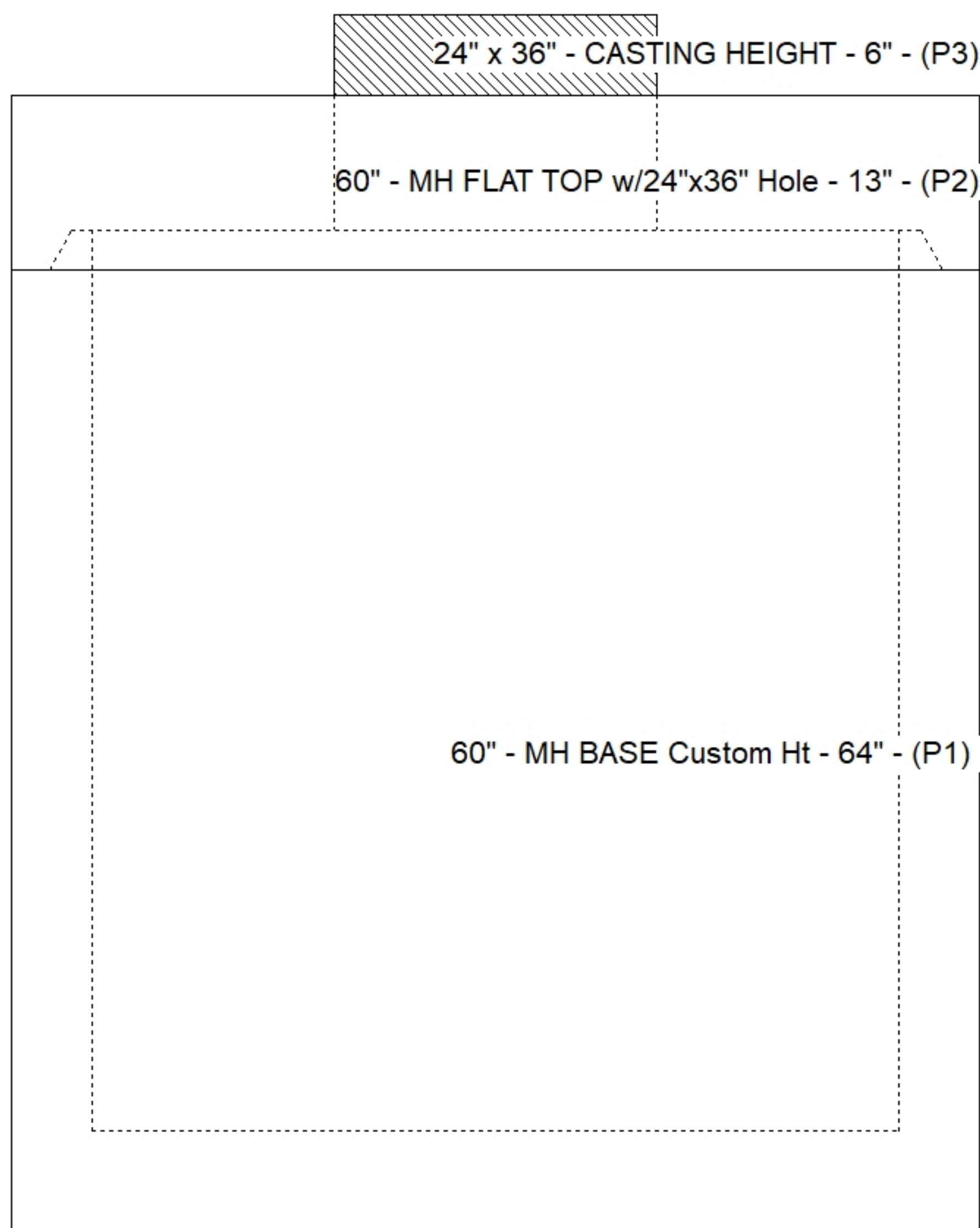
1. JR HOE HOE-470 PROVIDED BY ICAST.
2. PER ASTM C478 SPECIFICATIONS.
3. CONCRETE = 4,000 PSI AT 28 DAYS.
4. REINFORCING PER ASTM A615 (GRADE 60).
  - TOP SLAB (As .62) #5 BARS AT 6" C.C.E.W..
  - RISER/WALLS (As .18)
  - FLOOR (As .37) #5 BARS AT 10" C.C.E.W.

**STRUCTURE SUMMARY:**

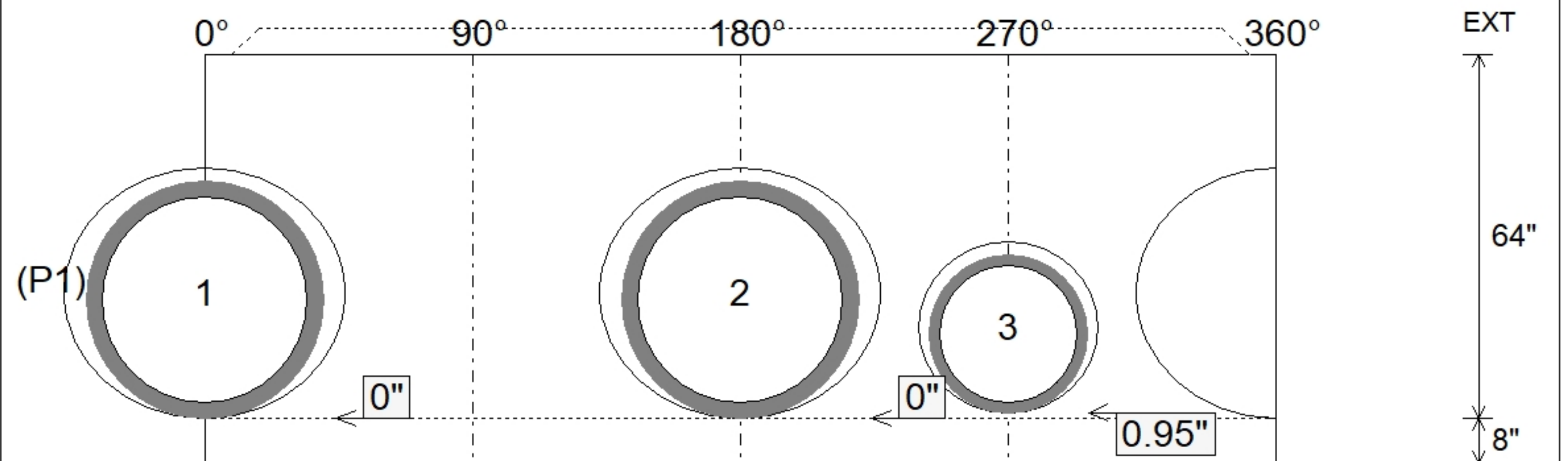
P3) 24" x 36" - CASTING HEIGHT - 6"	0 lb
P2) 60" - MH FLAT TOP w/24"x36" Hole - 13"	3499 lb
P1) 60" - MH BASE Custom Ht - 64"	7361 lb
1) CASTING - HOE 470 SET (F/G/H)	394 lb
1) 60" - Conseal CS-102 1.00"	0 lb
1) 24" x 36" - Conseal CS-102 1.00"	0 lb
2) Hole - 44	0 lb
1) Hole - 30	0 lb
5) MH Step ML-10-TDS-NCR - 10"	0 lb
<b>Structure Total:</b>	<b>11254 lb</b>



Position	Elev	Angle	Pipe	Pipe OD	Hole	Connector	Up (L)	Ref
Rim	867.75'							
Reducer								
Invert 1	860.9'	0°	36" HDPE	41.7"	44"	Hole 44	0"	P1
Invert 2	860.9'	180°	36" HDPE	41.7"	44"	Hole 44	0"	P1
Invert 3	860.9'	270°	24" HDPE	27.8"	30"	Hole 30	0.95"	P1
Invert 4								
Invert 5								
Invert 6								
Invert 7								
Invert 8								



**Default - Interior Dimensions**



Submittal Drawing  
 4/24/2026 11:00:43 AM

SUBMITTAL  
 APPROVED BY: