

Job Name: 25-1431 - Georgetown Commons
Job Location: Georgetown, KY
Contractor: Winwater Hartford KY Co.

PC: A. Chambers
 TECH: J. Coppage
 Plant: Beaver Dam



Structure ID: DCI 2
 Spec: Storm
 Type: STM.MH
 Size: 48"

Rim: 868.5'
 Invert: 861'
 Rim to Invert: 7.5'

Sump: 1.9"
 Floor (Top): 860.842'
 Floor Height: 6"

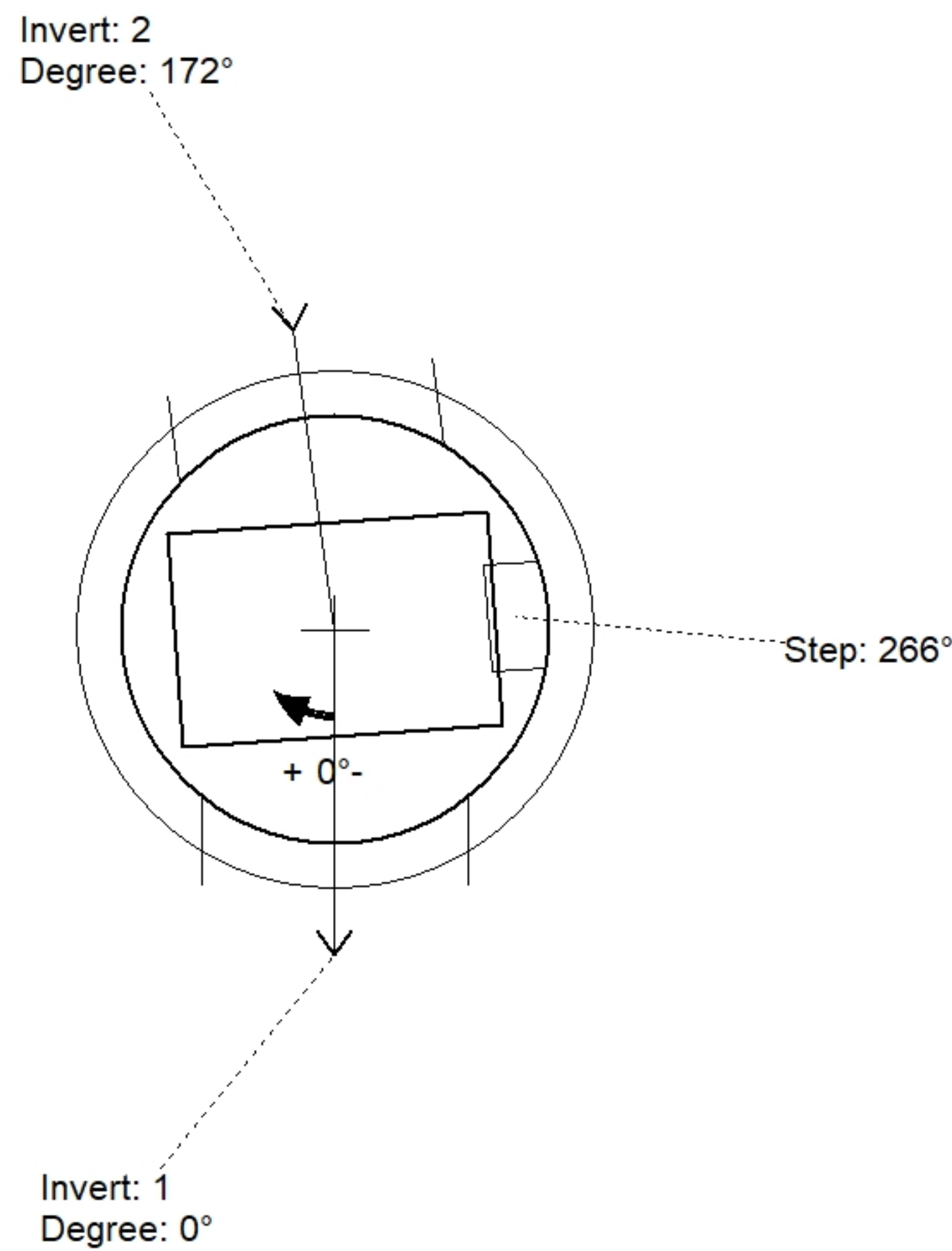
Floor (Bot): 860.342'
 Overall Height: 8'
 Slack: 1.9"

Structure Notes:

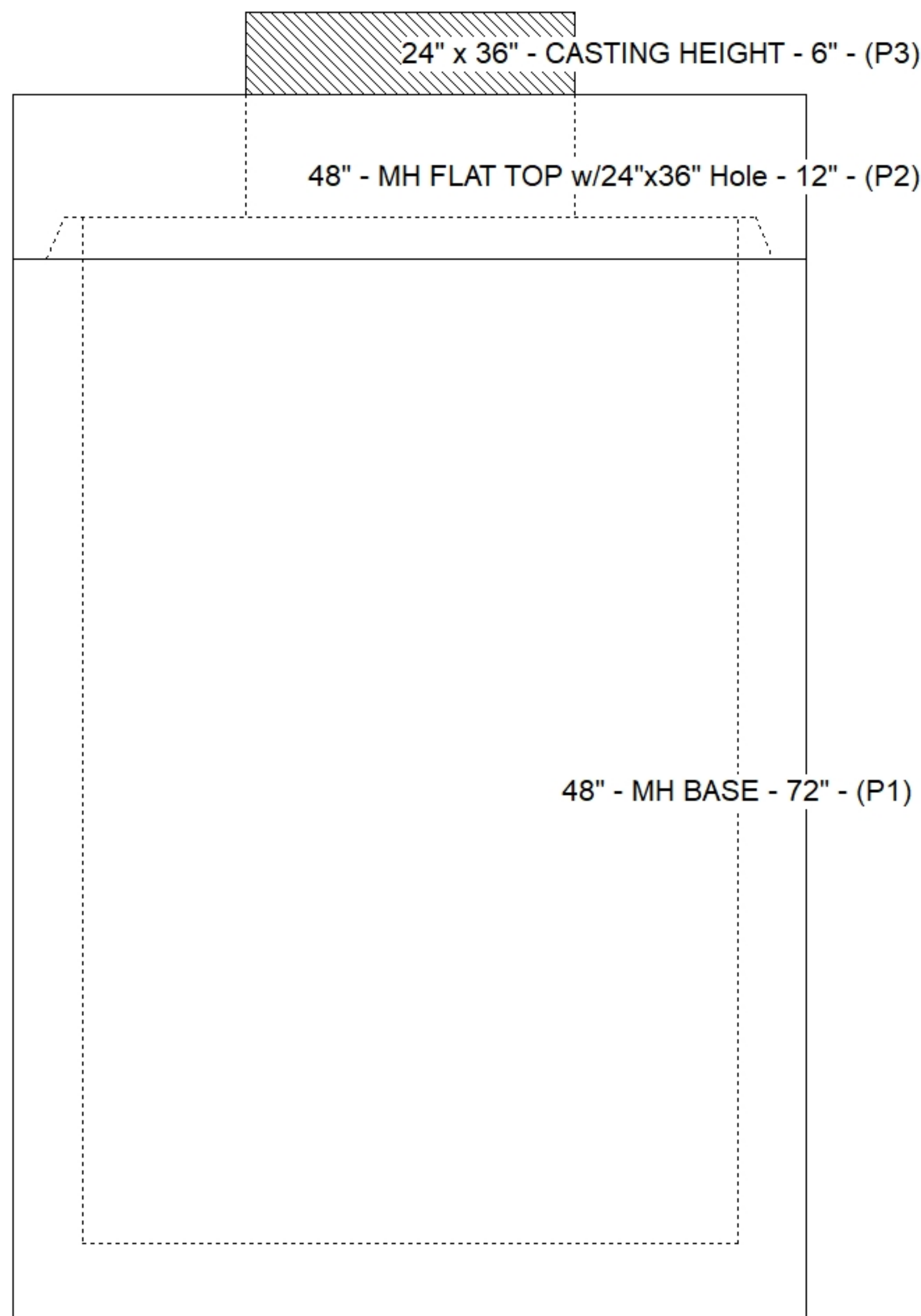
1. JR HOE HOE-470 PROVIDED BY ICAST.
2. PER ASTM C478 SPECIFICATIONS.
3. CONCRETE = 4,000 PSI AT 28 DAYS.
4. REINFORCING PER ASTM A615 (GRADE 60).
 - TOP SLAB (As .62) #5 BARS AT 6" C.C.E.W..
 - RISER/WALLS (As .12)
 - FLOOR (As .31) #5 BARS AT 12" C.C.E.W.

STRUCTURE SUMMARY:

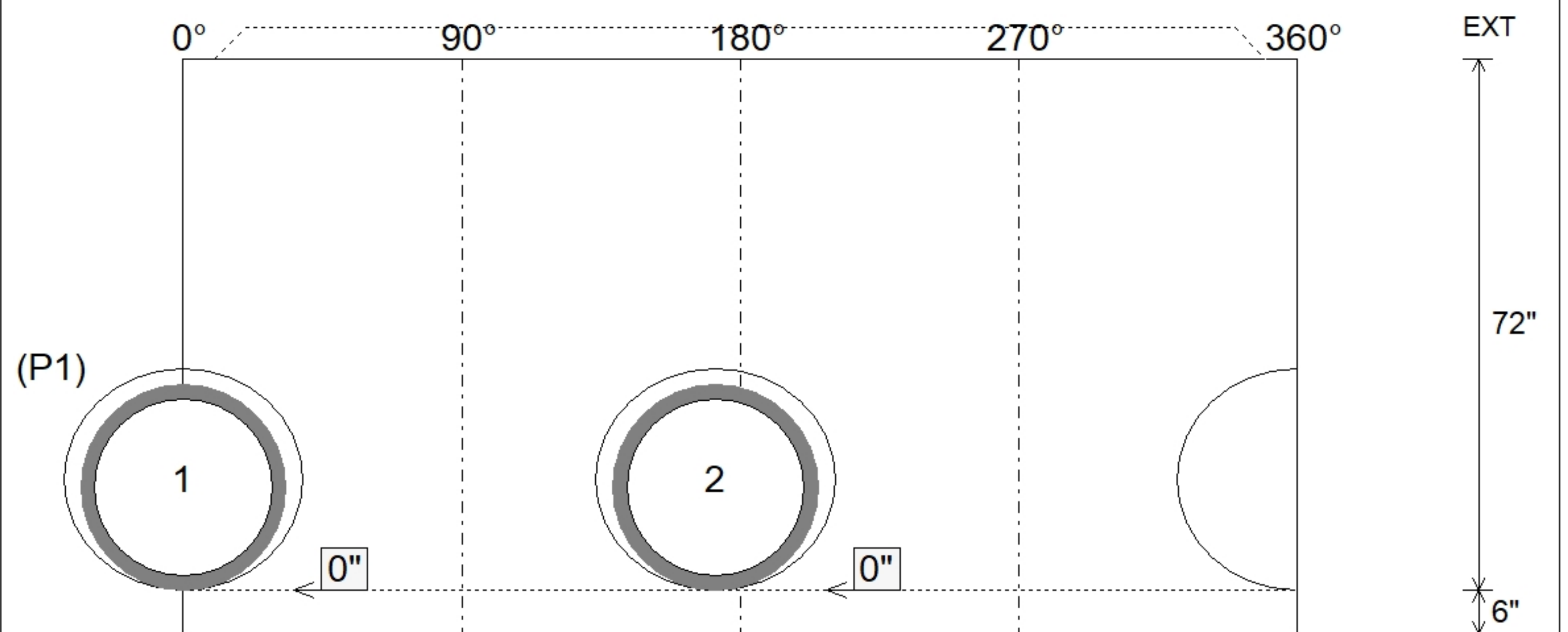
P3) 24" x 36" - CASTING HEIGHT - 6"	0 lb
P2) 48" - MH FLAT TOP w/24"x36" Hole - 12"	1300 lb
P1) 48" - MH BASE - 72"	5728 lb
1) CASTING - HOE 470 SET (F/G/H)	394 lb
1) 48" - Conseal CS-102 1.00"	0 lb
1) 24" x 36" - Conseal CS-102 1.00"	0 lb
2) Hole - 30	0 lb
6) MH Step ML-10-TDS-NCR - 10"	0 lb
Structure Total:	7422 lb



Position	Elev	Angle	Pipe	Pipe OD	Hole	Connector	Up ()	Ref
Rim	868.5'							
Reducer								
Invert 1	861'	0°	24" HDPE	27.8"	30"	Hole 30	0"	P1
Invert 2	861'	172°	24" HDPE	27.8"	30"	Hole 30	0"	P1
Invert 3								
Invert 4								
Invert 5								
Invert 6								
Invert 7								
Invert 8								



Default - Interior Dimensions



Submittal Drawing
 4/24/2026 11:00:37 AM

SUBMITTAL
 APPROVED BY: