

**Job Name: 25-1431 - Georgetown Commons**  
**Job Location: Georgetown, KY**  
**Contractor: Winwater Hartford KY Co.**

PC: A. Chambers  
 TECH: J. Coppage  
 Plant: Beaver Dam



Structure ID: DCI 143

Spec: Storm  
 Type: BX 8inW, 8inF  
 Size: 48" x 48"

Rim: 872.15'  
 Invert: 861'  
 Rim to Invert: 11.15'

Sump: 1.9"  
 Floor (Top): 860.842'  
 Floor Height: 8"

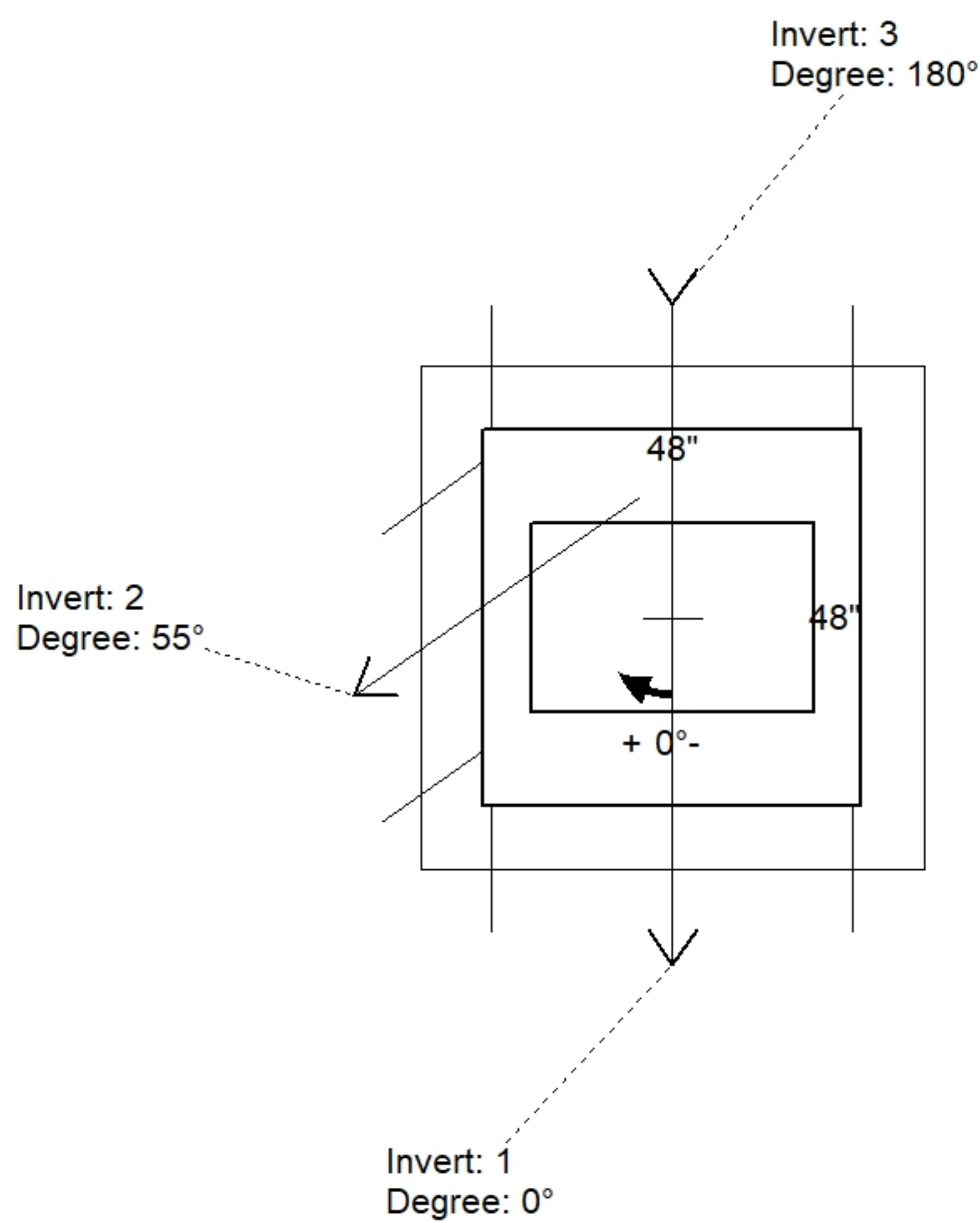
Floor (Bot): 860.175'  
 Overall Height: 11.833'  
 Slack: 1.7"

**Structure Notes:**

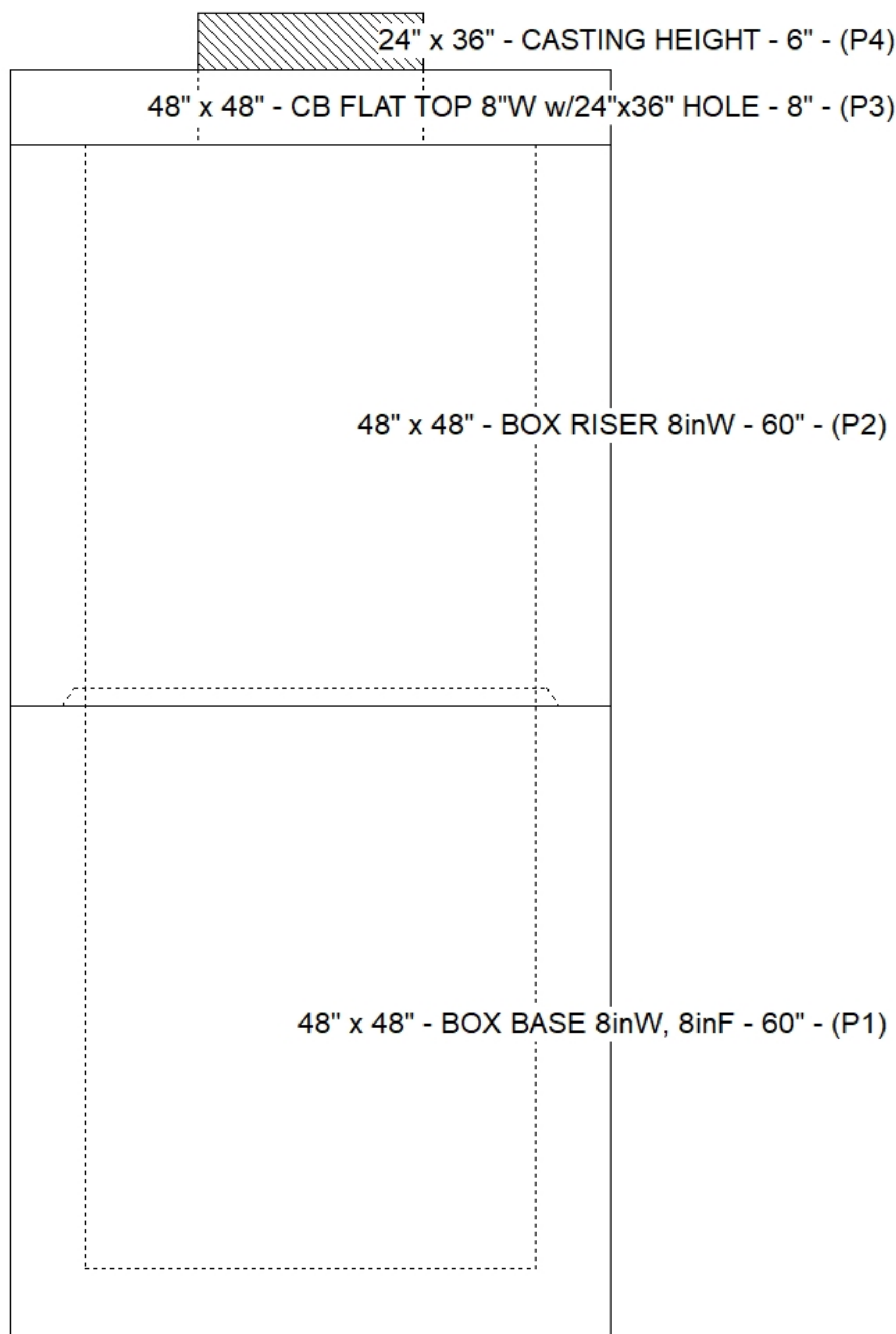
1. JR HOE HOE-470 PROVIDED BY ICAST.
2. PER ASTM C913 SPECIFICATIONS.
3. CONCRETE = 4,000 PSI AT 28 DAYS.
4. REINFORCING PER ASTM A615 (GRADE 60).
  - TOP SLAB (As .62) #5 BARS AT 6" C.C.E.W..
  - RISER/WALLS (As .37) #5 BARS AT 10" C.C.E.W.
  - FLOOR (As .37) #5 BARS AT 10" C.C.E.W.

**STRUCTURE SUMMARY:**

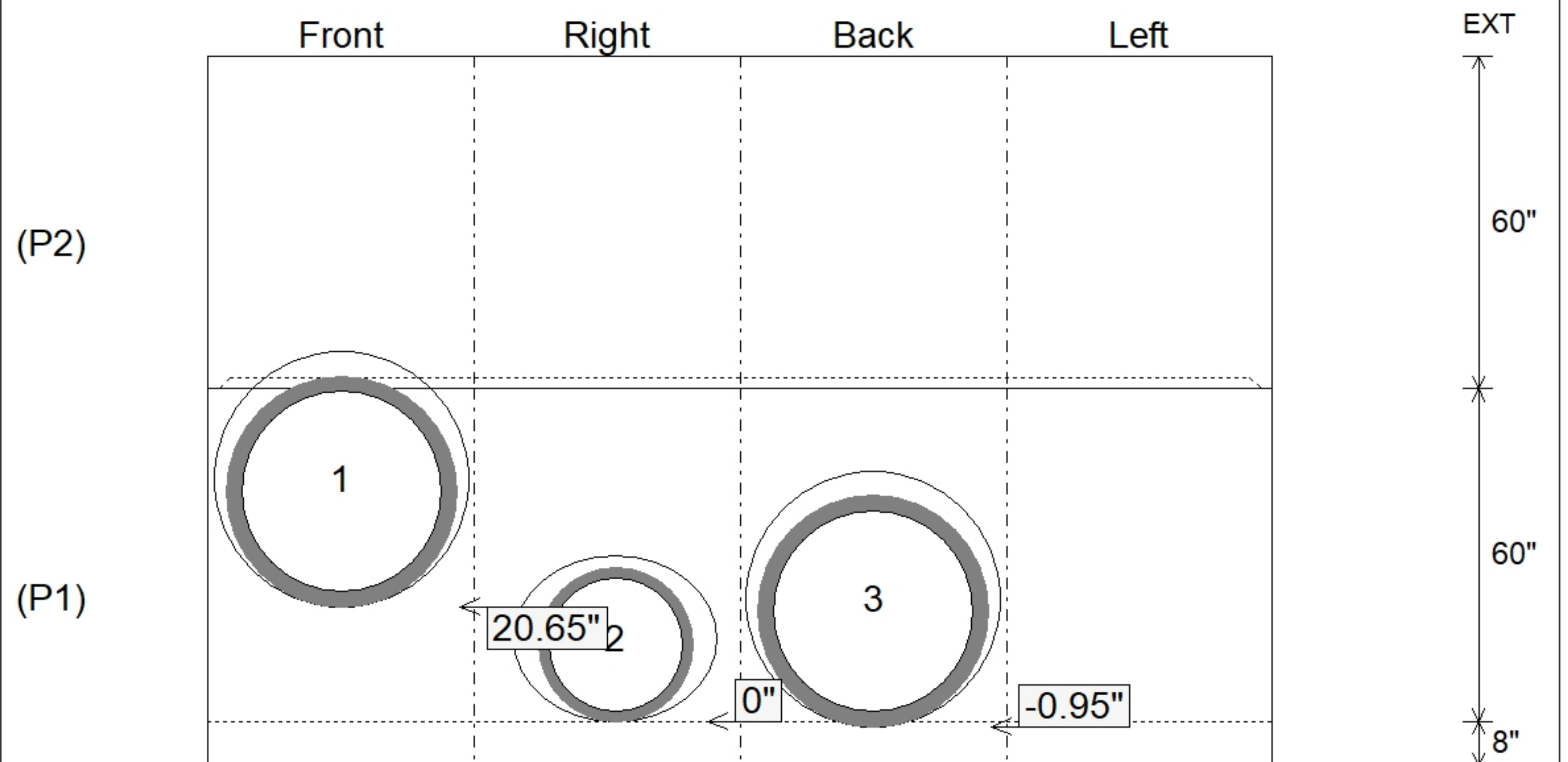
P4) 24" x 36" - CASTING HEIGHT - 6"	0 lb
P3) 48" x 48" - CB FLAT TOP 8"W w/24"x36" HOLE - 8"	2170 lb
P2) 48" x 48" - BOX RISER 8inW - 60"	8923 lb
P1) 48" x 48" - BOX BASE 8inW, 8inF - 60"	9061 lb
1) CASTING - HOE 470 SET (F/G/H)	394 lb
2) Hole - 46	0 lb
1) Hole - 30	0 lb
<b>Structure Total:</b>	<b>20547 lb</b>



Position	Elev	Angle	Pipe	Pipe OD	Hole	Connector	Up (")	Ref
Rim	872.15'							
Reducer								
Invert 1	862.8'	0°	36" HDPE	41.7"	46"	Hole 46	20.65"	P1
Invert 2	861'	55°	24" HDPE	27.8"	30"	Hole 30	0"	P1
Invert 3	861'	180°	36" HDPE	41.7"	46"	Hole 46	-0.95"	P1
Invert 4								
Invert 5								
Invert 6								
Invert 7								
Invert 8								



**Default - Interior Dimensions**



Submittal Drawing  
 4/10/2026 10:35:16 AM

SUBMITTAL  
 APPROVED BY: