

Job Name: 25-1431 - Georgetown Commons  
 Job Location: Georgetown, KY  
 Contractor: Winwater Hartford KY Co.

Plant: Beaver Dam

Tech: J. Coppage

4/23/2026 11:20:31 AM

PC: A. Chambers



**Structure ID: DCI 142**

**P1 BX4848-08BA60**

**BOX BASE 8inW, 8inF**

- P4) 24" x 36" - CASTING HEIGHT - 6"
- P3) 48" x 48" - CB FLAT TOP 8"W w/24"x36" HOLE - 8"
- P2) 48" x 48" - BOX RISER 8inW - 54"
- P1) 48" x 48" - BOX BASE 8inW, 8inF - 60"
- 1) CASTING - HOE 470 SET (F/G/H)
- 1) Hole - 46
- 2) Hole - 30

- Structure Notes:**
1. JR HOE HOE-470 PROVIDED BY ICAST.
  2. PER ASTM C913 SPECIFICATIONS.
  3. CONCRETE = 4,000 PSI AT 28 DAYS.
  4. REINFORCING PER ASTM A615 (GRADE 60).
    - TOP SLAB (As .62) #5 BARS AT 6" C.C.E.W..
    - RISER/WALLS (As .37) #5 BARS AT 10" C.C.E.W.
    - FLOOR (As .37) #5 BARS AT 10" C.C.E.W.

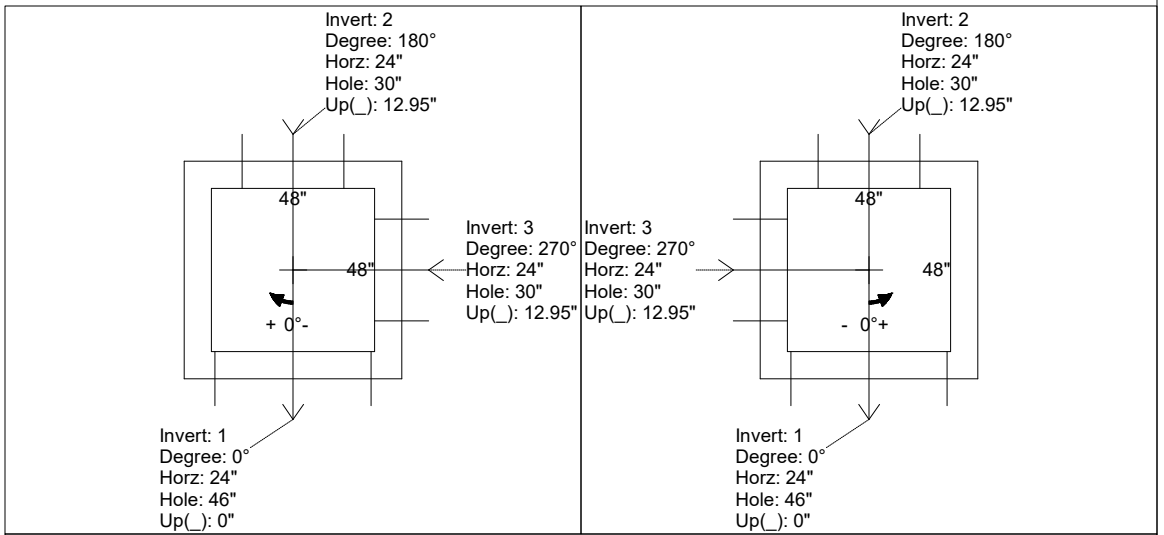
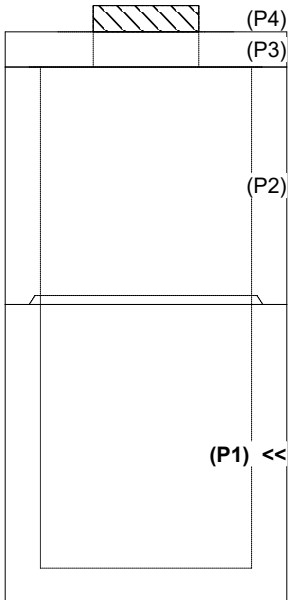
Structure Total: 20391 lb

Rim: 872.15' Rim to Invert: 10.65' Slack: 2.65" Sump: 2.85" Step Position:

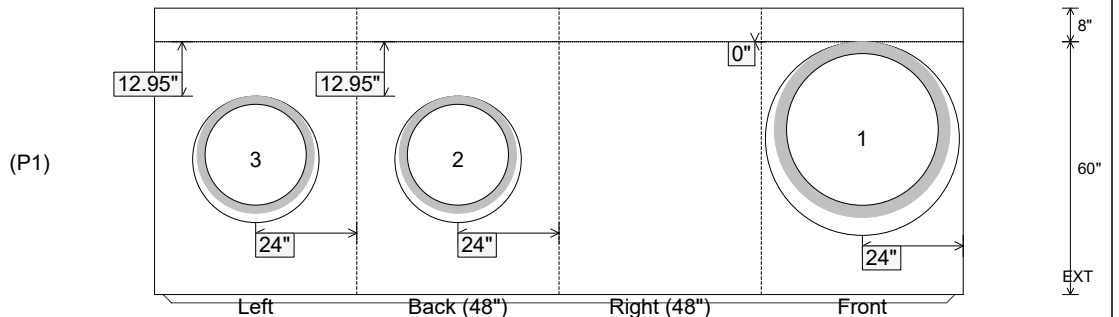
Position	Elev	Angle	Ext. (cw)	Pipe	Pipe OD	Connector	Hole	Horz Size	Up ( )	Offset
Invert 1	861.5'	0°	32"	36" HDPE	41.7"	Hole 46	46"	46"	0"	0"
Invert 2	862.5'	180°	32"	24" HDPE	27.8"	Hole 30	30"	30"	12.95"	0"
Invert 3	862.5'	270°	32"	24" HDPE	27.8"	Hole 30	30"	30"	12.95"	0"
Invert 4										
Invert 5										
Invert 6										
Invert 7										
Invert 8										

RIGHT-SIDE UP VIEW (int. dimensions)

UPSIDE-DOWN VIEW (int. dimensions)



INSIDE WALL DIMENSIONS



Coating (Int):  
 Coating (Ext):

Seam Up: Tongue  
 Seam Dn: n/a

Wall Thickness: 8"  
 Floor Height: 8"

Height (Int): 60"  
 Height (Ext): 68"

Weight (Net): 9707 lb  
 Volume (Net): 2.48cu.yd