

**Job Name: 25-1431 - Georgetown Commons**  
**Job Location: Georgetown, KY**  
**Contractor: Winwater Hartford KY Co.**

PC: A. Chambers  
 TECH: J. Coppage  
 Plant: Beaver Dam



Structure ID: DCI 141  
 Spec: Storm  
 Type: STM.MH  
 Size: 48"

Rim: 872'  
 Invert: 864'  
 Rim to Invert: 8'

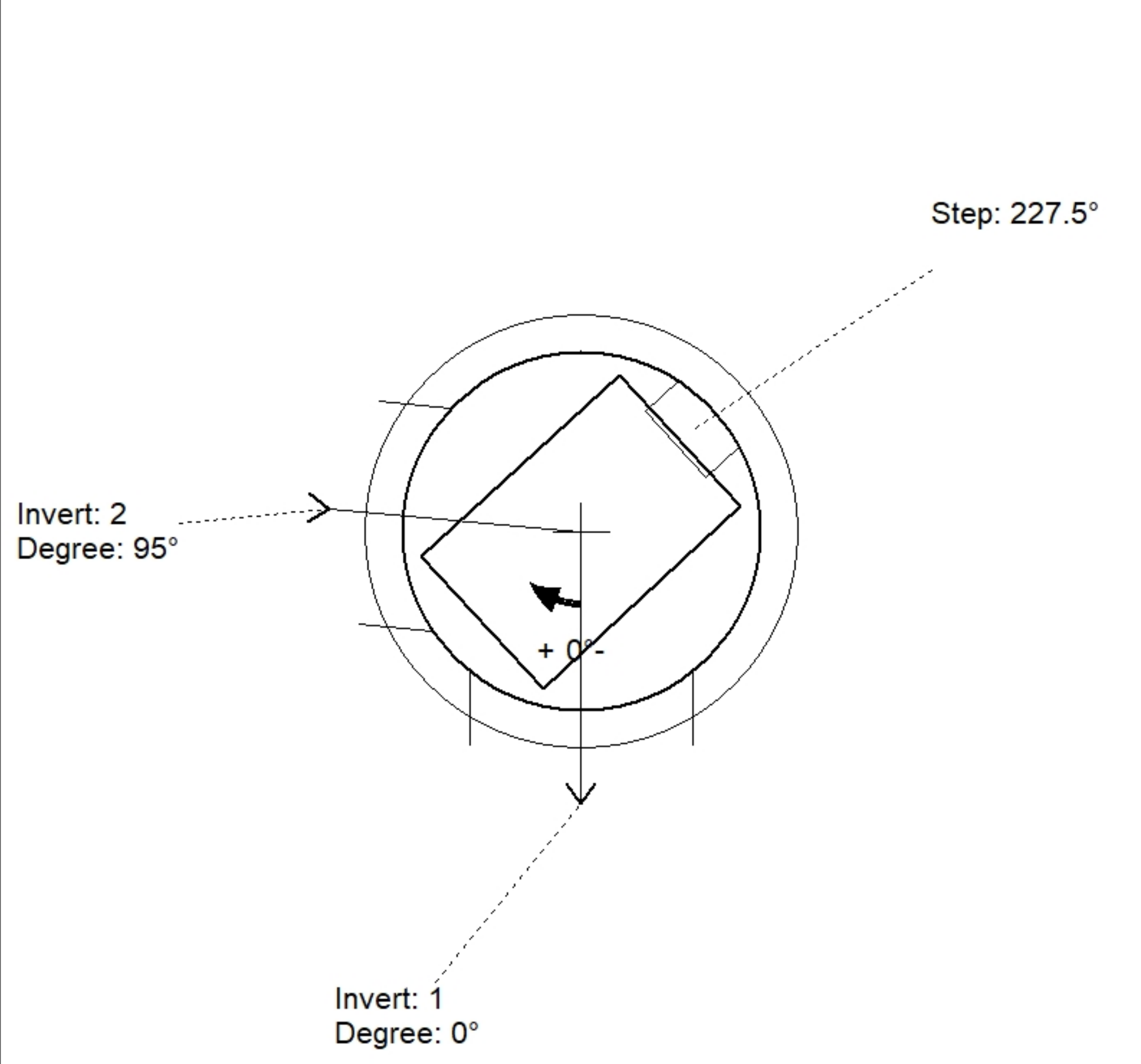
Sump: 1.9"  
 Floor (Top): 863.842'  
 Floor Height: 6"

Floor (Bot): 863.342'  
 Overall Height: 8.5'  
 Slack: 1.9"

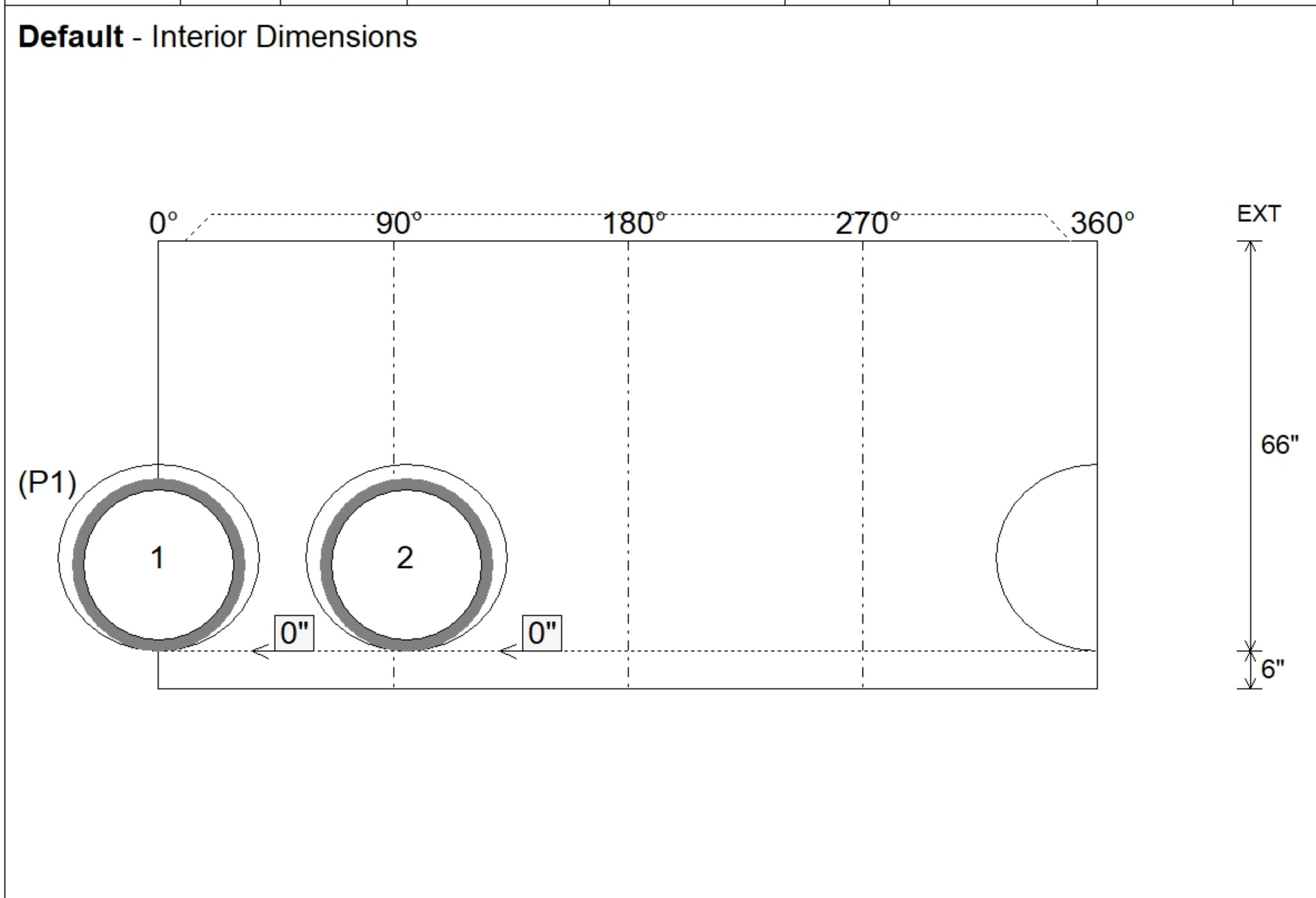
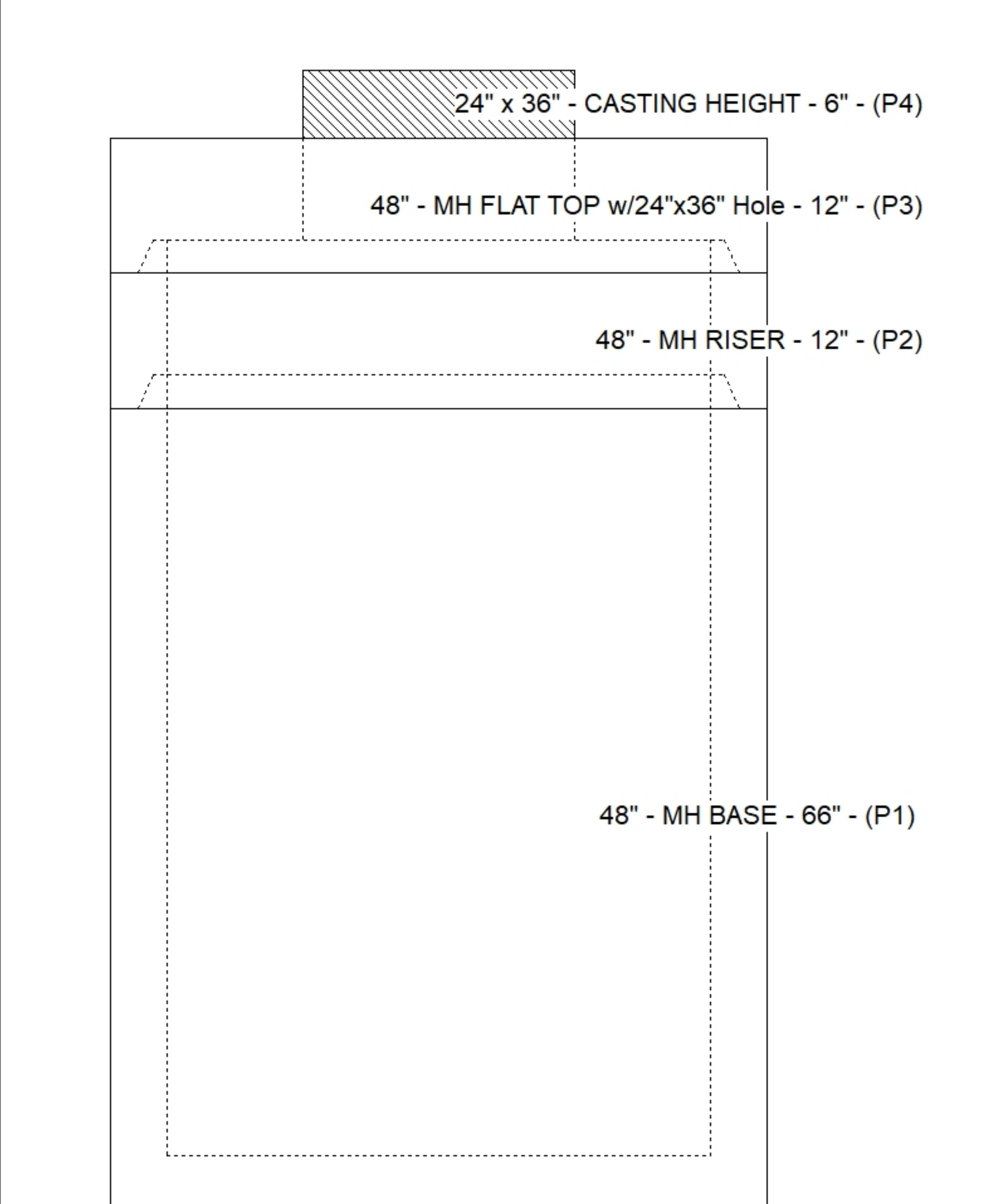
**Structure Notes:**  
 1. JR HOE HOE-470 PROVIDED BY ICAST.  
 2. PER ASTM C478 SPECIFICATIONS.  
 3. CONCRETE = 4,000 PSI AT 28 DAYS.  
 4. REINFORCING PER ASTM A615 (GRADE 60).  
 - TOP SLAB (As .62) #5 BARS AT 6" C.C.E.W..  
 - RISER/WALLS (As .18)  
 - FLOOR (As .37) #5 BARS AT 10" C.C.E.W.

**STRUCTURE SUMMARY:**

P4) 24" x 36" - CASTING HEIGHT - 6"	0 lb
P3) 48" - MH FLAT TOP w/24"x36" Hole - 12"	1300 lb
P2) 48" - MH RISER - 12"	838 lb
P1) 48" - MH BASE - 66"	5309 lb
1) CASTING - HOE 470 SET (F/G/H)	394 lb
2) 48" - SGL 1"x14.5' Butyl (2x)	0 lb
2) Hole - 30	0 lb
6) MH Step ML-10-TDS-NCR - 10"	0 lb
<b>Structure Total:</b>	<b>7841 lb</b>



Position	Elev	Angle	Pipe	Pipe OD	Hole	Connector	Up ( )	Ref
Rim	872'							
Reducer								
Invert 1	864'	0°	24" HDPE	27.8"	30"	Hole 30	0"	P1
Invert 2	864'	95°	24" HDPE	27.8"	30"	Hole 30	0"	P1
Invert 3								
Invert 4								
Invert 5								
Invert 6								
Invert 7								
Invert 8								



Submittal Drawing  
 4/24/2026 11:01:04 AM

SUBMITTAL  
 APPROVED BY: