

Job Name: 25-1431 - Georgetown Commons  
 Job Location: Georgetown, KY  
 Contractor: Winwater Hartford KY Co.

Plant: Beaver Dam  
 4/23/2026 11:30:46 AM

Tech: J. Coppage  
 PC: A. Chambers



**Structure ID: DCI 113**

**P2 MH072LD15-24X36RECT**

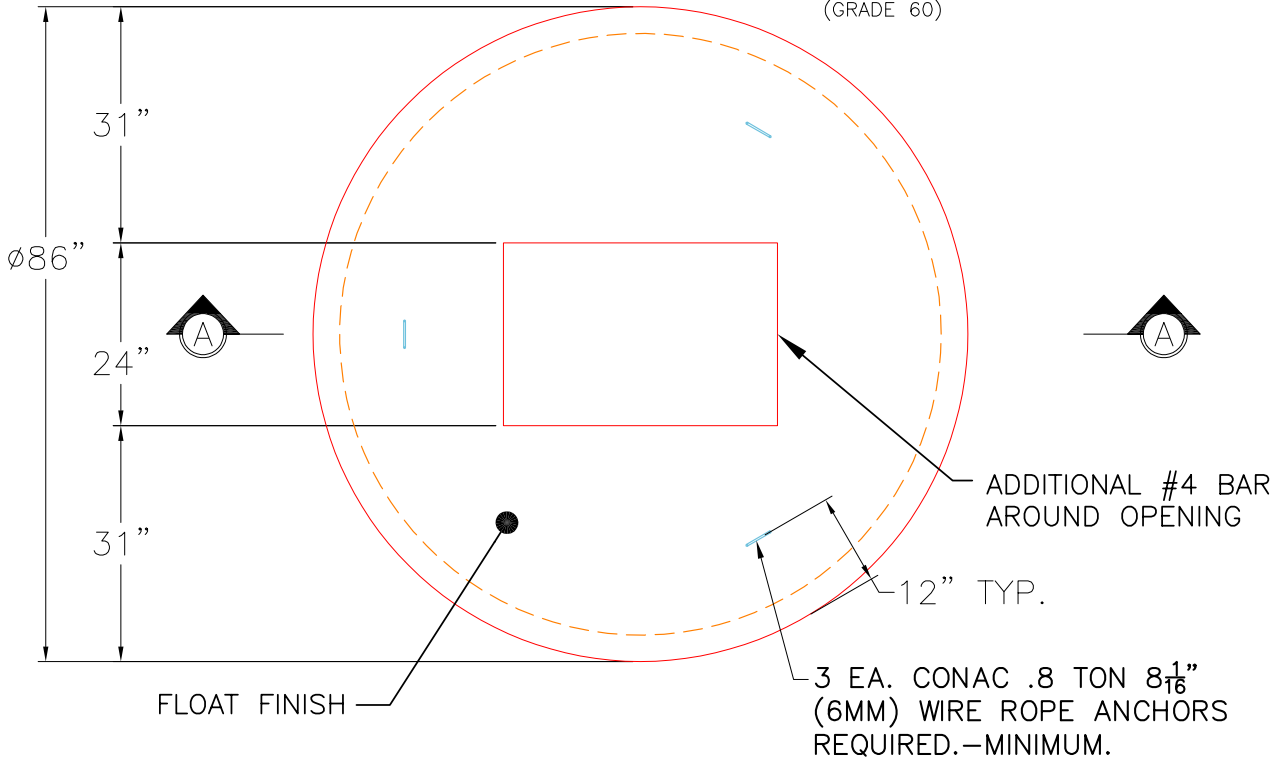
**MH FLAT TOP w/24"x36" Hole**

- P4) 24" x 36" - CASTING HEIGHT - 6"
- P3) 24" x 36" - GRADE RING - 4"
- P2) 72" - MH FLAT TOP w/24"x36" Hole - 15"
- P1) 72" - MH BASE - 84"
- 1) CASTING - HOE 470 SET (F/G/H)
- 1) 72" - Conseal CS-102 1.00"
- 2) 24" x 36" - Conseal CS-102 1.00"
- 2) Hole - 30
- 2) Hole - 46
- 7) MH Step ML-10-TDS-NCR - 10"

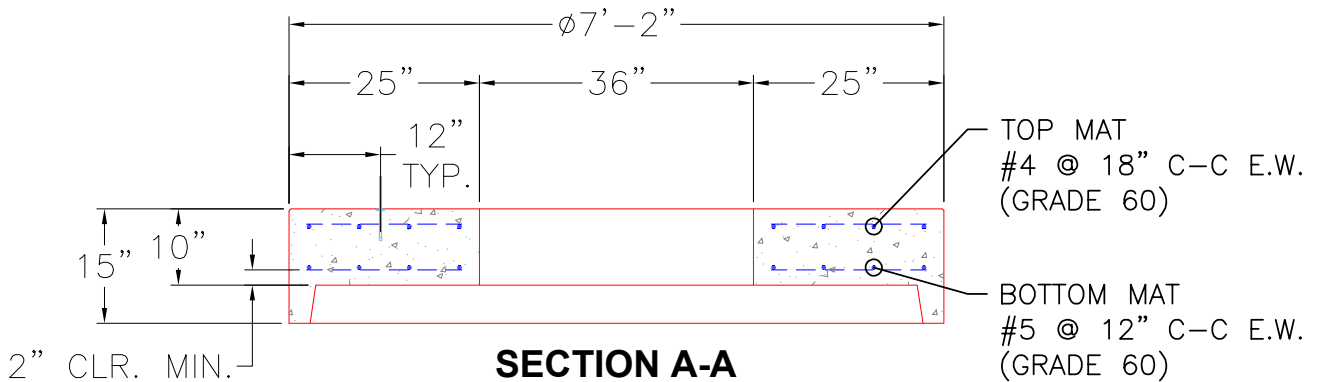
0 lb	<b>Structure Notes:</b>
408 lb	1. JR HOE HOE-470 PROVIDED BY ICAST.
4530 lb	2. PER ASTM C478 SPECIFICATIONS.
13204 lb	3. CONCRETE = 4,000 PSI AT 28 DAYS.
394 lb	4. REINFORCING PER ASTM A615 (GRADE 60).
0 lb	- TOP SLAB (As .62) #5 BARS AT 6" C.C.E.W..
0 lb	- RISER/WALLS (As .18)
0 lb	- FLOOR (As .37) #5 BARS AT 10" C.C.E.W.
0 lb	
0 lb	
Structure Total:	18535 lb

GENERAL NOTES:

1. MANUFACTURED TO ASTM C-478 (LATEST REVISION).
2. CONCRETE 5,000 PSI AT 28 DAYS.
3. REINFORCING: AS SHOWN BELOW PER ASTM C-478 (GRADE 60)



**PLAN VIEW**



**SECTION A-A**

Coating (Int): Coating (Ext):	Seam Up: Flat Seam Dn: Groove	Wall Thickness: 7"	Height (Ext): 15"	Weight (Net): 4530 lb Volume (Net): 1.16cu.yd
----------------------------------	----------------------------------	--------------------	-------------------	--