

Job Name: 25-1431 - Georgetown Commons  
 Job Location: Georgetown, KY  
 Contractor: Winwater Hartford KY Co.

Plant: Beaver Dam

4/23/2026 11:20:14 AM

Tech: J. Coppage

PC: A. Chambers



**Structure ID: DCI 113**

**P1 MH072BA84**

**MH BASE**

- P4) 24" x 36" - CASTING HEIGHT - 6"
- P3) 24" x 36" - GRADE RING - 4"
- P2) 72" - MH FLAT TOP w/24"x36" Hole - 15"
- P1) 72" - MH BASE - 84"
- 1) CASTING - HOE 470 SET (F/G/H)
- 1) 72" - Conseal CS-102 1.00"
- 2) 24" x 36" - Conseal CS-102 1.00"
- 2) Hole - 30
- 2) Hole - 46
- 7) MH Step ML-10-TDS-NCR - 10"

- Structure Notes:**
1. JR HOE HOE-470 PROVIDED BY ICAST.
  2. PER ASTM C478 SPECIFICATIONS.
  3. CONCRETE = 4,000 PSI AT 28 DAYS.
  4. REINFORCING PER ASTM A615 (GRADE 60).  
 - TOP SLAB (As .62) #5 BARS AT 6" C.C.E.W..  
 - RISER/WALLS (As .18)  
 - FLOOR (As .37) #5 BARS AT 10" C.C.E.W.

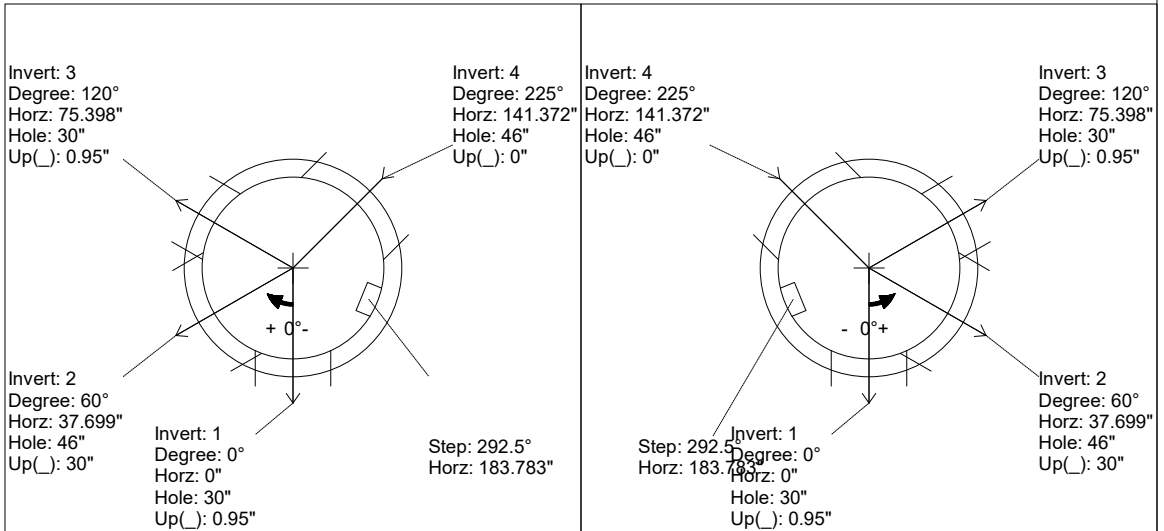
Structure Total: 18535 lb

Rim: 870.25' Rim to Invert: 9' Slack: 1.85" Sump: 2.85" Step Position: 292.5"

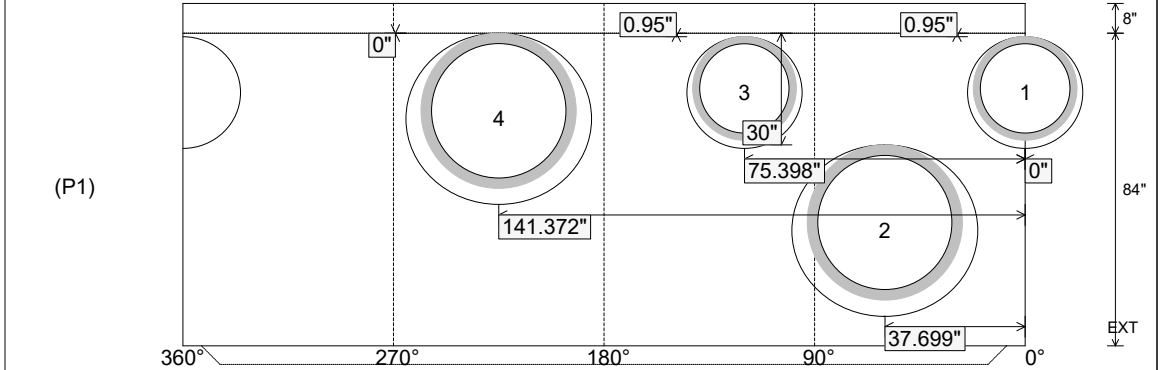
Position	Elev	Angle	Ext. (cw)	Pipe	Pipe OD	Connector	Hole	Horz Size	Up ( )	Offset
Invert 1	861.25'	0°	0"	24" HDPE	27.8"	Hole 30	30"	30.944"	0.95"	0"
Invert 2	863.75'	60°	45.029"	36" HDPE	41.7"	Hole 46	46"	49.9"	30"	0"
Invert 3	861.25'	120°	90.059"	24" HDPE	27.8"	Hole 30	30"	30.944"	0.95"	0"
Invert 4	861.25'	225°	168.861"	36" HDPE	41.7"	Hole 46	46"	49.9"	0"	0"
Invert 5										
Invert 6										
Invert 7										
Invert 8										

RIGHT-SIDE UP VIEW (int. dimensions)

UPSIDE-DOWN VIEW (int. dimensions)



INSIDE WALL DIMENSIONS



Coating (Int):  
 Coating (Ext):

Seam Up: Tongue  
 Seam Dn: n/a

Wall Thickness: 7"  
 Floor Height: 8"

Height (Int): 84"  
 Height (Ext): 92"

Weight (Net): 13204 lb  
 Volume (Net): 3.37cu.yd