

**Job Name: 25-1431 - Georgetown Commons**  
**Job Location: Georgetown, KY**  
**Contractor: Winwater Hartford KY Co.**

PC: A. Chambers  
 TECH: J. Coppage  
 Plant: Beaver Dam



Structure ID: DCI 105  
 Spec: Storm  
 Type: STM.MH  
 Size: 60"

Rim: 869.35'  
 Invert: 863.75'  
 Rim to Invert: 5.6'

Sump: 2.55"  
 Floor (Top): 863.538'  
 Floor Height: 8"

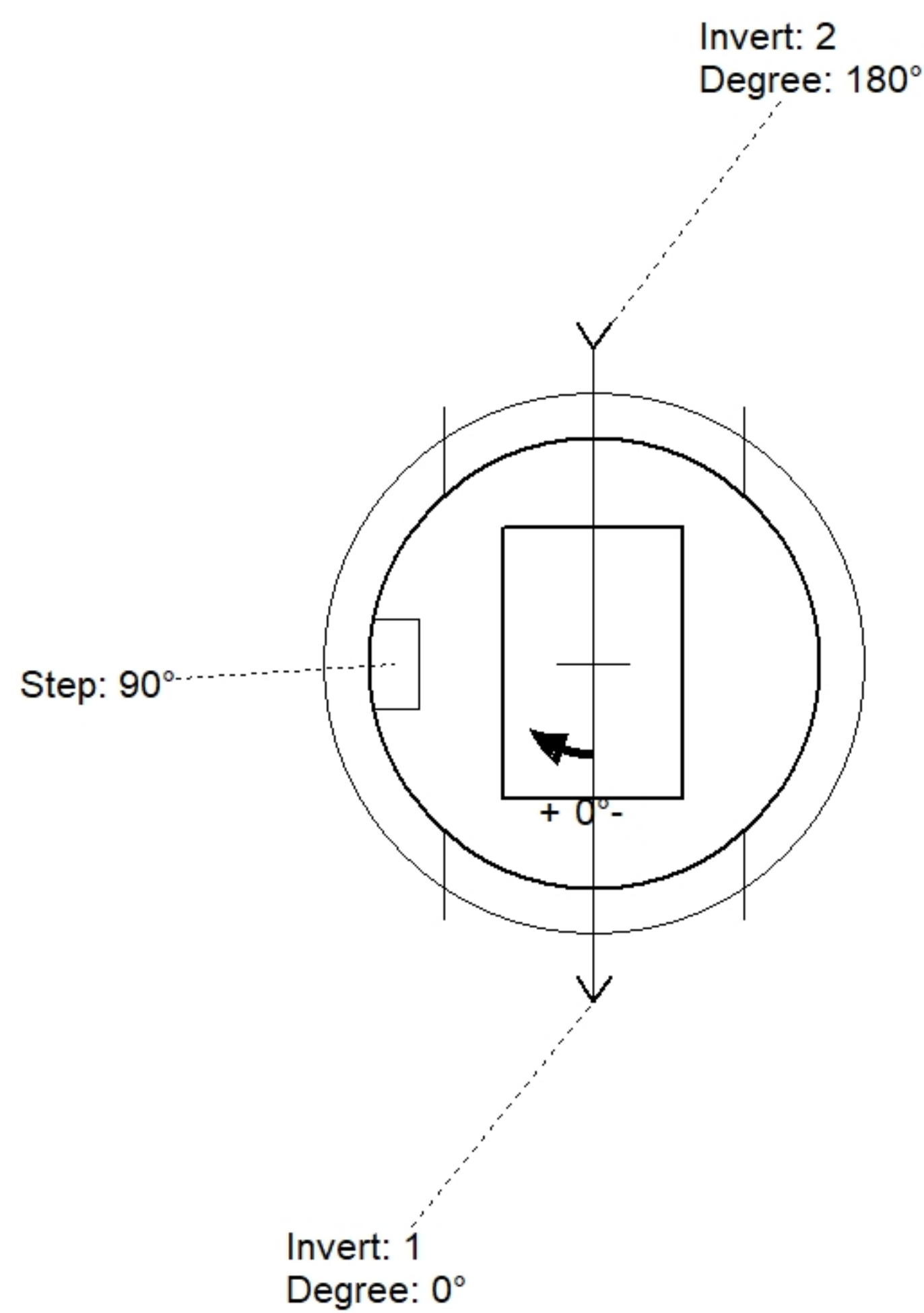
Floor (Bot): 862.871'  
 Overall Height: 6.333'  
 Slack: 1.75"

**Structure Notes:**

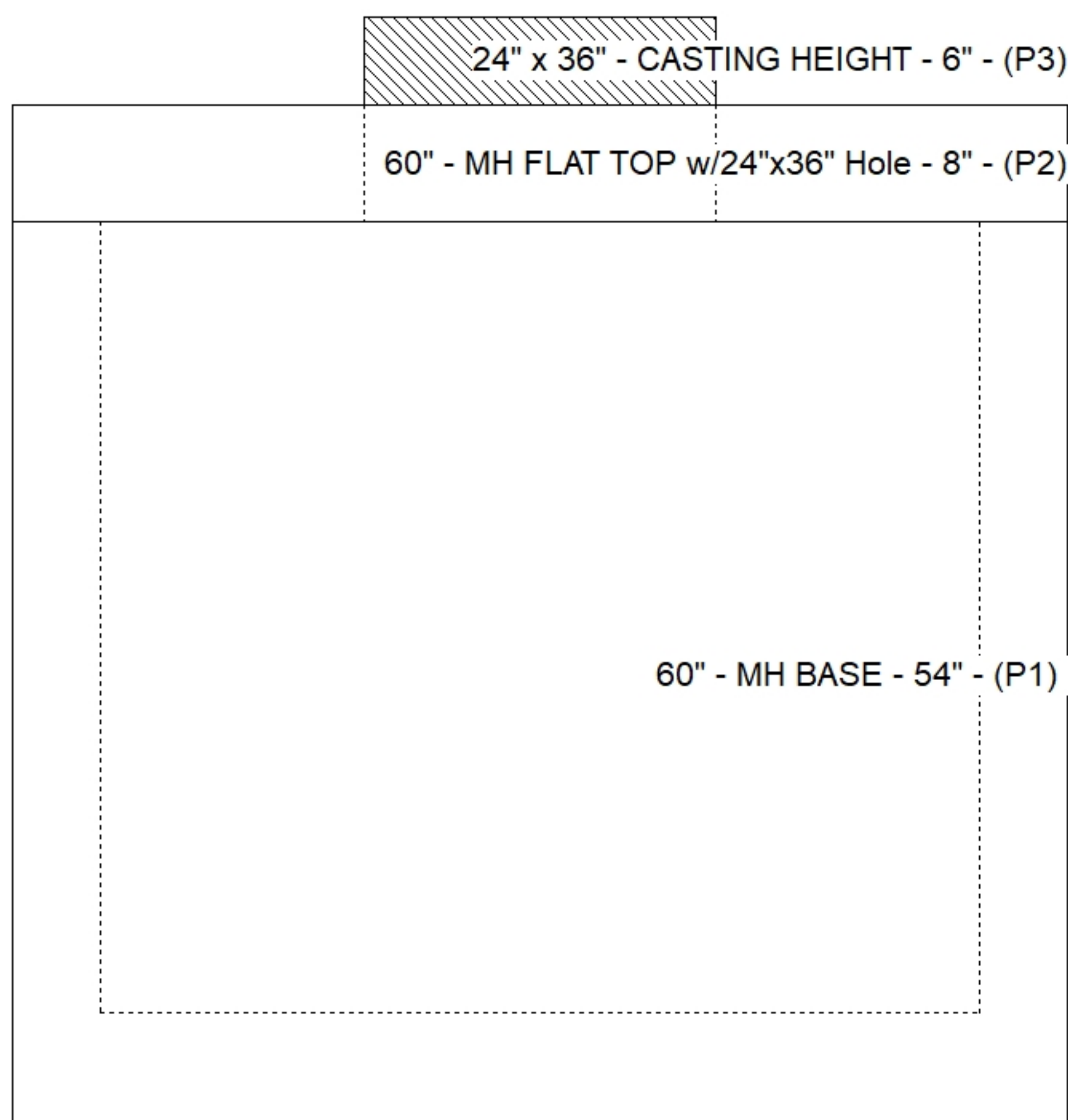
1. JR HOE HOE-470 PROVIDED BY ICAST.
2. PER ASTM C478 SPECIFICATIONS.
3. CONCRETE = 4,000 PSI AT 28 DAYS.
4. REINFORCING PER ASTM A615 (GRADE 60).
  - TOP SLAB (As .62) #5 BARS AT 6" C.C.E.W..
  - RISER/WALLS (As .18)
  - FLOOR (As .37) #5 BARS AT 10" C.C.E.W.

**STRUCTURE SUMMARY:**

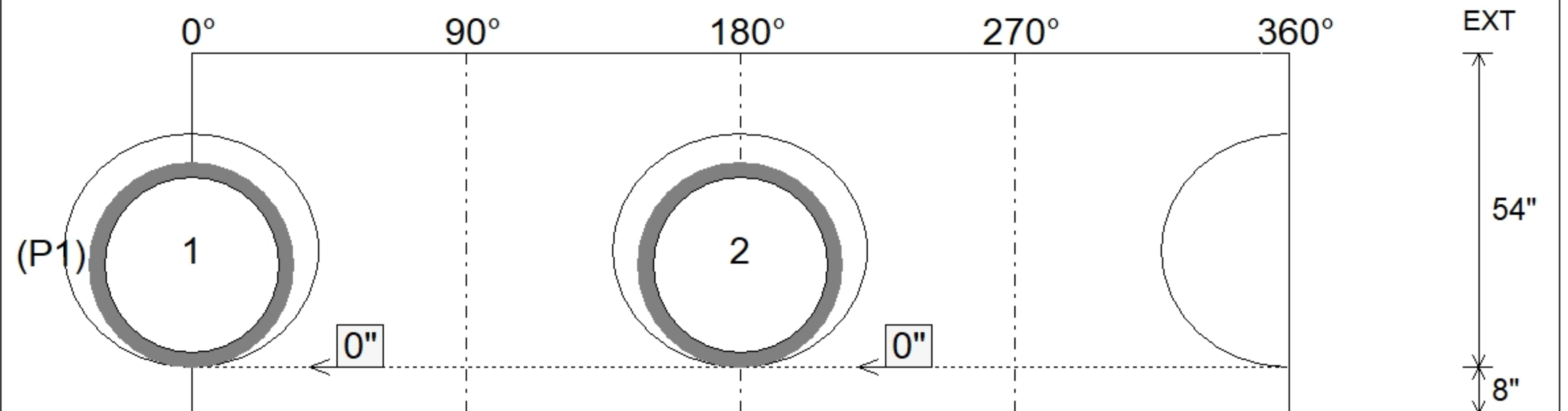
P3) 24" x 36" - CASTING HEIGHT - 6"	0 lb
P2) 60" - MH FLAT TOP w/24"x36" Hole - 8"	2153 lb
P1) 60" - MH BASE - 54"	7007 lb
1) CASTING - HOE 470 SET (F/G/H)	394 lb
1) 60" - Conseal CS-102 1.00"	0 lb
1) 24" x 36" - Conseal CS-102 1.00"	0 lb
2) Hole - 40	0 lb
4) MH Step ML-10-TDS-NCR - 10"	0 lb
<b>Structure Total:</b>	<b>9554 lb</b>



Position	Elev	Angle	Pipe	Pipe OD	Hole	Connector	Up ( )	Ref
Rim	869.35'							
Reducer								
Invert 1	863.75'	0°	30" HDPE	35.1"	40"	Hole 40	0"	P1
Invert 2	863.75'	180°	30" HDPE	35.1"	40"	Hole 40	0"	P1
Invert 3								
Invert 4								
Invert 5								
Invert 6								
Invert 7								
Invert 8								



**Default - Interior Dimensions**



Submittal Drawing  
 4/24/2026 11:00:54 AM

SUBMITTAL  
 APPROVED BY: