

Job Name: 25-1431 - Georgetown Commons
 Job Location: Georgetown, KY
 Contractor: Winwater Hartford KY Co.

Plant: Beaver Dam

4/23/2026 11:20:09 AM

Tech: J. Coppage

PC: A. Chambers



Structure ID: DCI 104

P1 BX4848-08BAVF

BOX BASE 8inW, 8inF, Variable Ht

- P3) 24" x 36" - CASTING HEIGHT - 6"
- P2) 48" x 48" - CB FLAT TOP 8"W w/24"x36" HOLE - 8"
- P1) 48" x 48" - BOX BASE 8inW, 8inF, Variable Ht - 50"
- 1) CASTING - HOE 470 SET (F/G/H)
- 2) Hole - 40

- Structure Notes:**
1. JR HOE HOE-470 PROVIDED BY ICAST.
 2. PER ASTM C913 SPECIFICATIONS.
 3. CONCRETE = 4,000 PSI AT 28 DAYS.
 4. REINFORCING PER ASTM A615 (GRADE 60).
 - TOP SLAB (As .62) #5 BARS AT 6" C.C.E.W..
 - RISER/WALLS (As .18)
 - FLOOR (As .37) #5 BARS AT 10" C.C.E.W.

0 lb
 2170 lb
 8581 lb
 394 lb
 0 lb

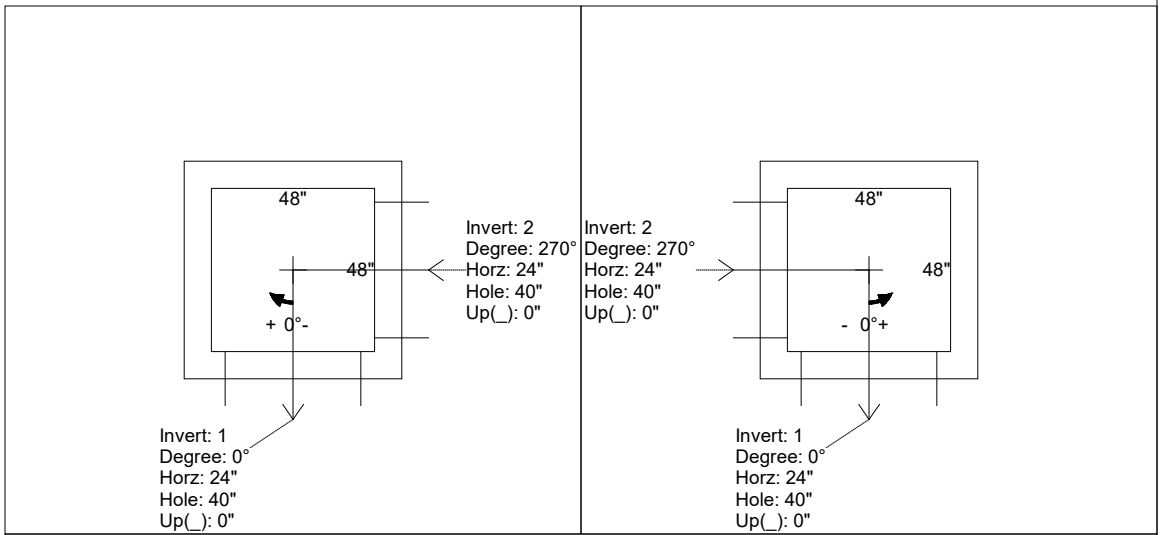
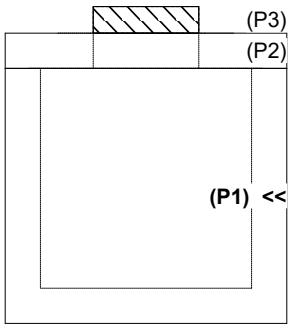
 Structure Total: 11145 lb

Rim: 869.25' Rim to Invert: 5.25' Slack: 1.55' Sump: 2.55' Step Position:

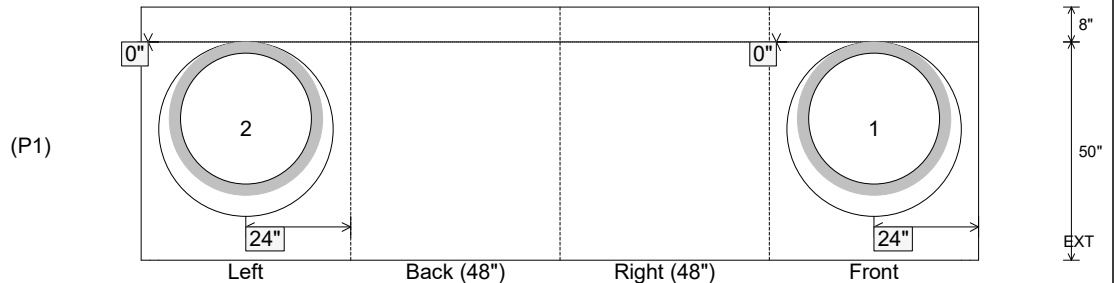
Position	Elev	Angle	Ext. (cw)	Pipe	Pipe OD	Connector	Hole	Horz Size	Up ()	Offset
Invert 1	864'	0°	32"	30" HDPE	35.1"	Hole 40	40"	40"	0"	0"
Invert 2	864'	270°	32"	30" HDPE	35.1"	Hole 40	40"	40"	0"	0"
Invert 3										
Invert 4										
Invert 5										
Invert 6										
Invert 7										
Invert 8										

RIGHT-SIDE UP VIEW (int. dimensions)

UPSIDE-DOWN VIEW (int. dimensions)



INSIDE WALL DIMENSIONS



Coating (Int):
 Coating (Ext):

Seam Up: Flat
 Seam Dn: n/a

Wall Thickness: 8"
 Floor Height: 8"

Height (Int): 50"
 Height (Ext): 58"

Weight (Net): 8581 lb
 Volume (Net): 2.19cu.yd