

Job Name: 25-1431 - Georgetown Commons
Job Location: Georgetown, KY
Contractor: Winwater Hartford KY Co.

PC: A. Chambers
 TECH: J. Coppage
 Plant: Beaver Dam



Structure ID: DCI 10
 Spec: Storm
 Type: STM.MH
 Size: 48"

Rim: 869'
 Invert: 862.25'
 Rim to Invert: 6.75'

Sump: 1.3"
 Floor (Top): 862.142'
 Floor Height: 6"

Floor (Bot): 861.642'
 Overall Height: 7.25'
 Slack: 1.3"

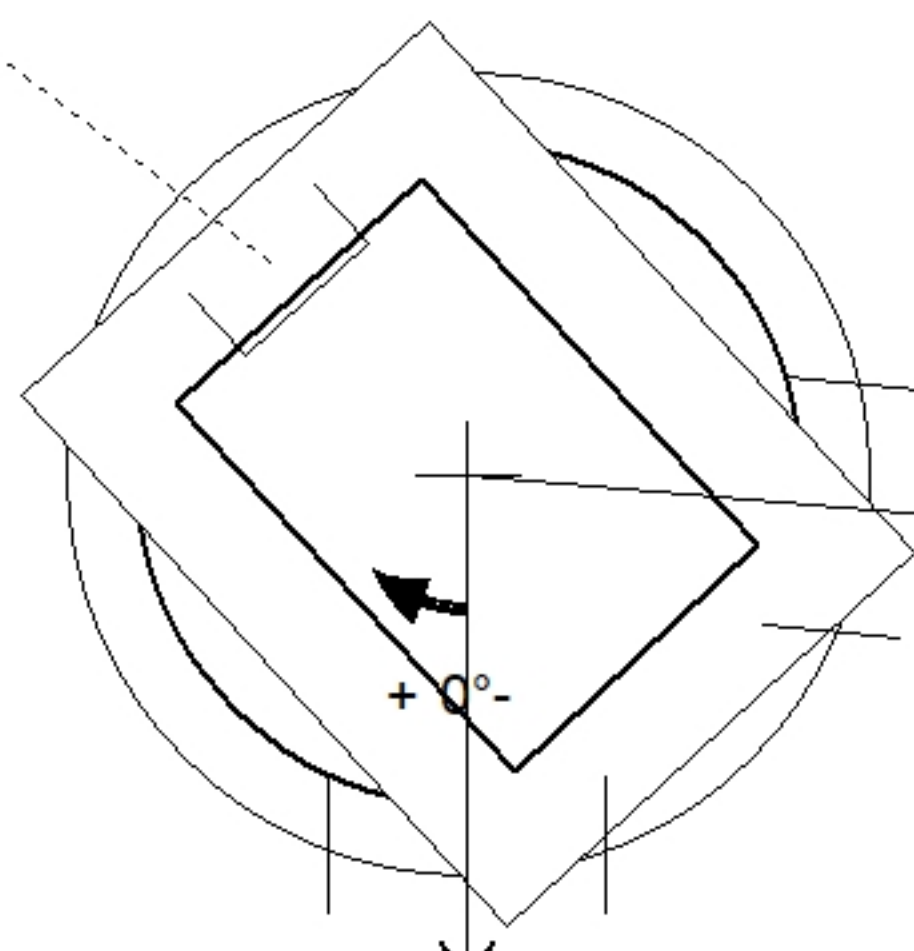
Structure Notes:

1. JR HOE HOE-470 PROVIDED BY ICAST.
2. PER ASTM C478 SPECIFICATIONS.
3. CONCRETE = 4,000 PSI AT 28 DAYS.
4. REINFORCING PER ASTM A615 (GRADE 60).
 - TOP SLAB (As .62) #5 BARS AT 6" C.C.E.W..
 - RISER/WALLS (As .12)
 - FLOOR (As .31) #5 BARS AT 12" C.C.E.W.

STRUCTURE SUMMARY:

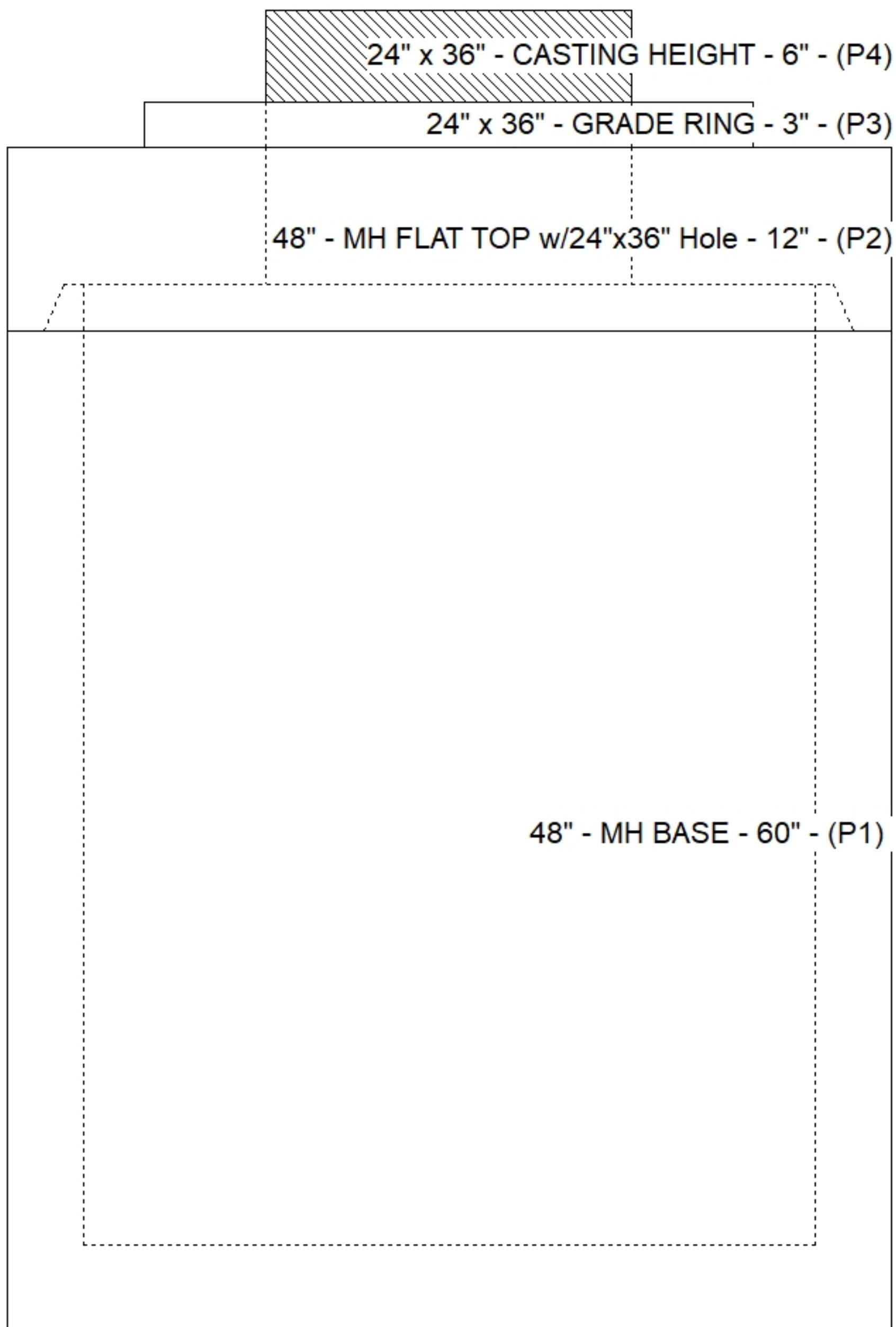
| | |
|--|----------------|
| P4) 24" x 36" - CASTING HEIGHT - 6" | 0 lb |
| P3) 24" x 36" - GRADE RING - 3" | 306 lb |
| P2) 48" - MH FLAT TOP w/24"x36" Hole - 12" | 1300 lb |
| P1) 48" - MH BASE - 60" | 5277 lb |
| 1) CASTING - HOE 470 SET (F/G/H) | 394 lb |
| 1) 48" - Conseal CS-102 1.00" | 0 lb |
| 2) 24" x 36" - Conseal CS-102 1.00" | 0 lb |
| 1) Hole - 20 | 0 lb |
| 1) Hole - 18 | 0 lb |
| 5) MH Step ML-10-TDS-NCR - 10" | 0 lb |
| Structure Total: | 7278 lb |

Step: 137.5°

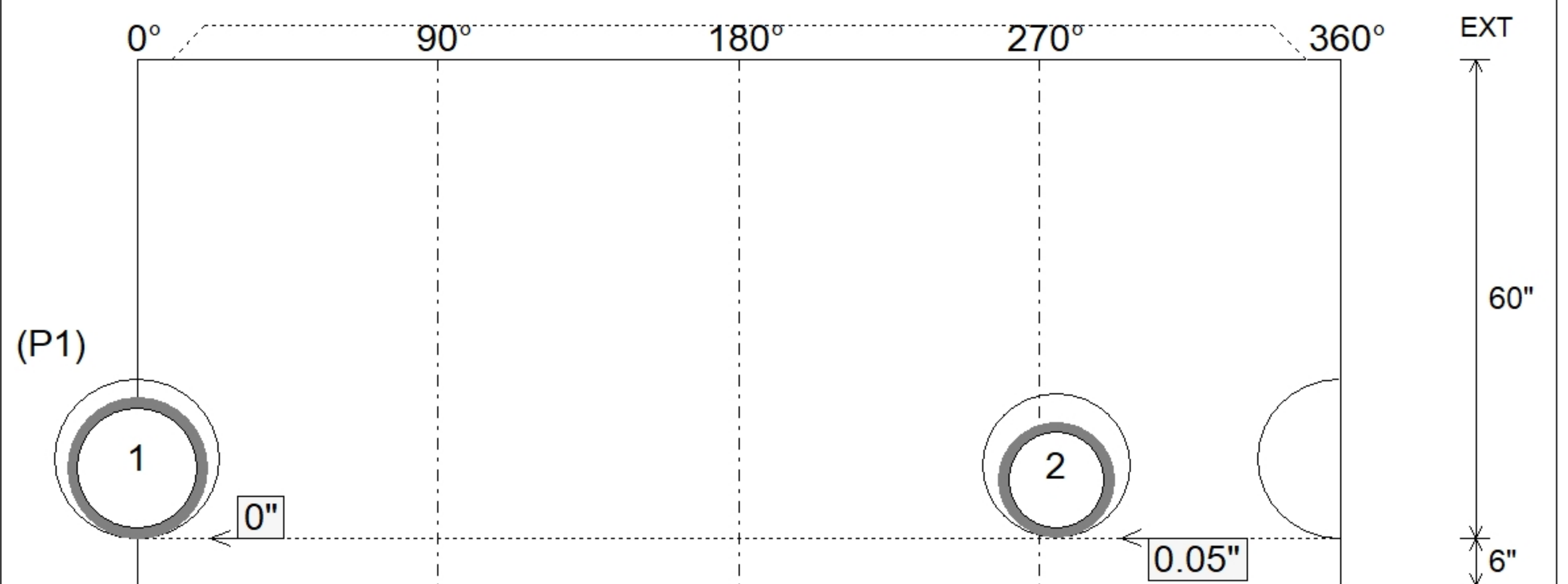


| Position | Elev | Angle | Pipe | Pipe OD | Hole | Connector | Up () | Ref |
|----------|---------|-------|----------|---------|------|-----------|--------|-----|
| Rim | 869' | | | | | | | |
| Reducer | | | | | | | | |
| Invert 1 | 862.25' | 0° | 15" HDPE | 17.6" | 20" | Hole 20 | 0" | P1 |
| Invert 2 | 862.25' | 275° | 12" HDPE | 14.5" | 18" | Hole 18 | 0.05" | P1 |
| Invert 3 | | | | | | | | |
| Invert 4 | | | | | | | | |
| Invert 5 | | | | | | | | |
| Invert 6 | | | | | | | | |
| Invert 7 | | | | | | | | |
| Invert 8 | | | | | | | | |

Invert: 1
Degree: 0°



Default - Interior Dimensions



Submittal Drawing
 4/24/2026 11:00:40 AM

SUBMITTAL
 APPROVED BY: