

Job Name: 25-1431 - Georgetown Commons  
 Job Location: Georgetown, KY  
 Contractor: Winwater Hartford KY Co.

Plant: Beaver Dam

4/9/2026 9:59:56 AM

Tech: J. Coppage

PC: A. Chambers



**Structure ID: CBI 261**

**P1 BX2436-08BVF**

**BOX BASE 8inW, 8inF, Variable Ht**

- P3) 24" x 120" - CB INLET KY A 10' TOP LEFT - 10"
- P2) 24" x 120" - CB INLET KY A 10' BOTTOM LEFT - 18"
- P1) 24" x 36" - BOX BASE 8inW, 8inF, Variable Ht - 32"
- 1) 24" x 36" - Conseal CS-102 1.00"
- 3) Hole - 18"
- 1) Hole - 6"

- Structure Notes:**
1. JR HOE KY-206 PROVIDED BY ICAST.
  2. CASTING FRAME TO BE CAST INTO THE TOP PHASE.
  3. PER KYTC CBI TYPE A / ASTM C478 SPEC'S.
  4. CONCRETE = 4,000 PI AT 28 DAYS.
  5. REINFORCING PER ASTM A615 (GRADE 60).
    - TOP PHASE (As .62) #5 BARS AT 6" C.C.E.W.
    - WALLS (As .31) #5 BARS AT 12" C.C.E.W.
    - FLOOR (As .31) #5 BARS AT 12" C.C.E.W.

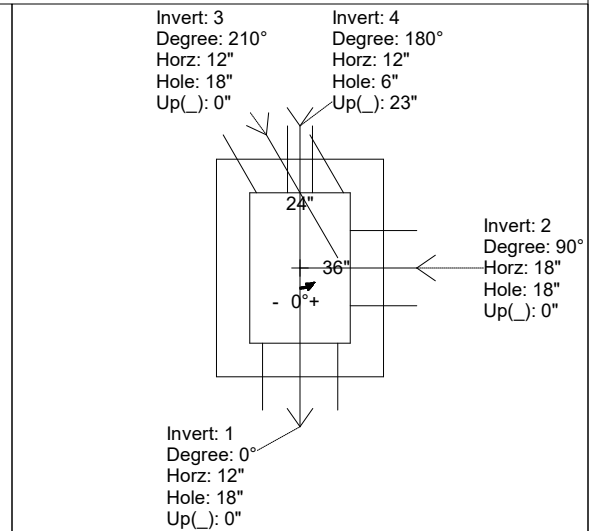
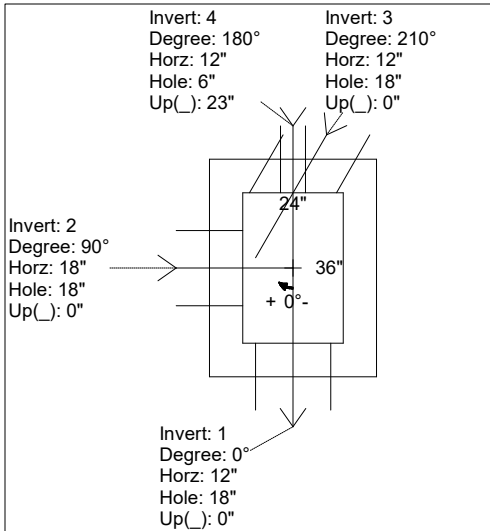
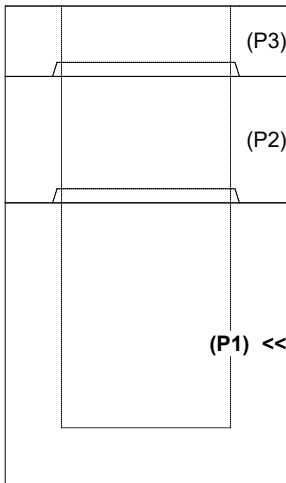
Structure Total: 12773 lb

Rim: 861.93' Rim to Invert: 4.83' Slack: 0.96' Sump: 3' Step Position:

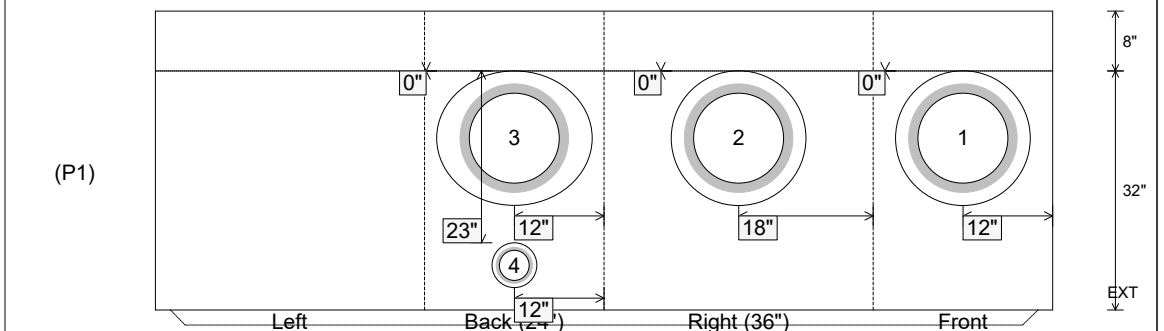
Position	Elev	Angle	Ext. (cw)	Pipe	Pipe OD	Connector	Hole	Horz Size	Up ( )	Offset
Invert 1	857.1'	0°	20"	12" HDPE	14.5"	Hole 18	18"	18"	0"	0"
Invert 2	857.1'	90°	26"	12" HDPE	14.5"	Hole 18	18"	18"	0"	0"
Invert 3	857.1'	210°	24.619"	12" HDPE	14.5"	Hole 18	18"	20.785"	0"	-9"
Invert 4	858.85'	180°	20"	4" HDPE (perf pipe)	4.8"	Hole 6	6"	6"	23"	0"
Invert 5										
Invert 6										
Invert 7										
Invert 8										

RIGHT-SIDE UP VIEW (int. dimensions)

UPSIDE-DOWN VIEW (int. dimensions)



INSIDE WALL DIMENSIONS



Coating (Int):  
 Coating (Ext):

Seam Up: Tongue  
 Seam Dn: n/a

Wall Thickness: 8"  
 Floor Height: 8"

Height (Int): 32"  
 Height (Ext): 40"

Weight (Net): 4104 lb  
 Volume (Net): 1.05cu.yd