

Job Name: 25-1431 - Georgetown Commons  
 Job Location: Georgetown, KY  
 Contractor: Winwater Hartford KY Co.

Plant: Beaver Dam

4/9/2026 12:34:12 PM

Tech: J. Coppage

PC: A. Chambers



**Structure ID: CBI 235**

**P1 BX2436-08BA60**

**BOX BASE 8inW, 8inF**

- P4) 24" x 60" - CB INLET KY A 5' TOP LEFT - 10"
- P3) 24" x 60" - CB INLET KY A 5' BOTTOM LEFT - 18"
- P2) 24" x 36" - BOX RISER 8inW, Variable Ht - 43"
- P1) 24" x 36" - BOX BASE 8inW, 8inF - 60"
- 2) 24" x 36" - Conseal CS-102 1.00"
- 2) Hole - 30
- 1) Hole - 6

- Structure Notes:
1. JR HOE KY-206 PROVIDED BY ICAST.
  2. CASTING FRAME TO BE CAST INTO THE TOP PHASE.
  3. PER KYTC CBI TYPE A / ASTM C913 SPEC'S.
  4. CONCRETE = 4,000 PI AT 28 DAYS.
  5. REINFORCING PER ASTM A615 (GRADE 60).
    - TOP PHASE (As .62) #5 BARS AT 6" C.C.E.W.
    - WALLS (As .31) #5 BARS AT 12" C.C.E.W.
    - FLOOR (As .31) #5 BARS AT 12" C.C.E.W.

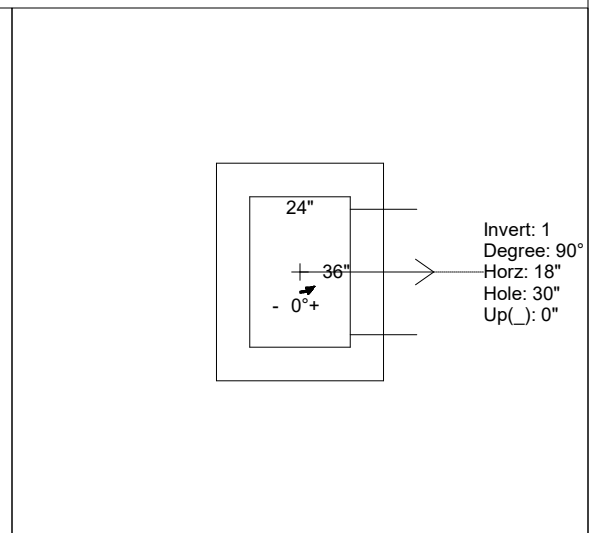
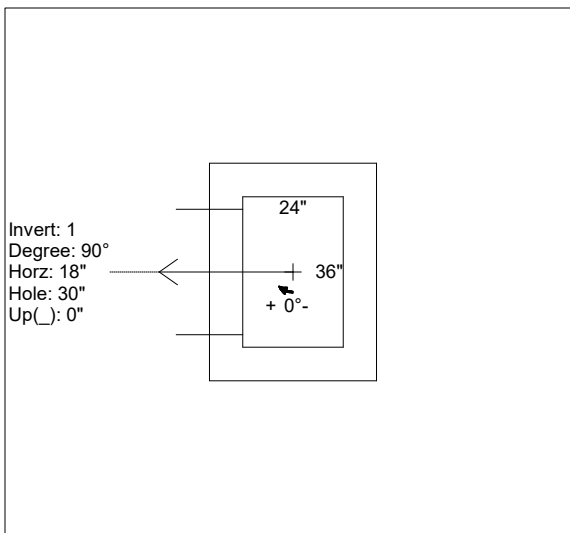
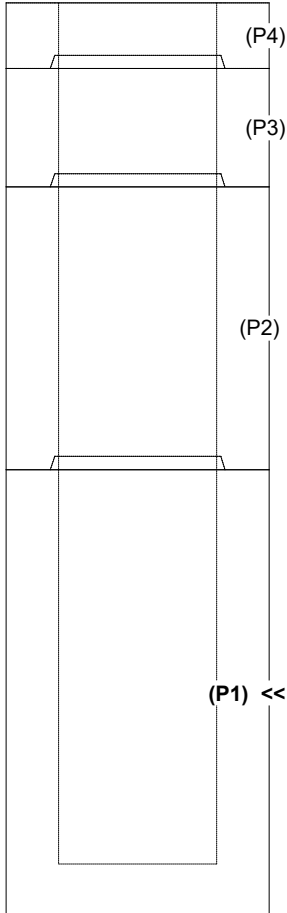
Structure Total: 15503 lb

Rim: 869.75' Rim to Invert: 10.75' Slack: 1" Sump: 3" Step Position:

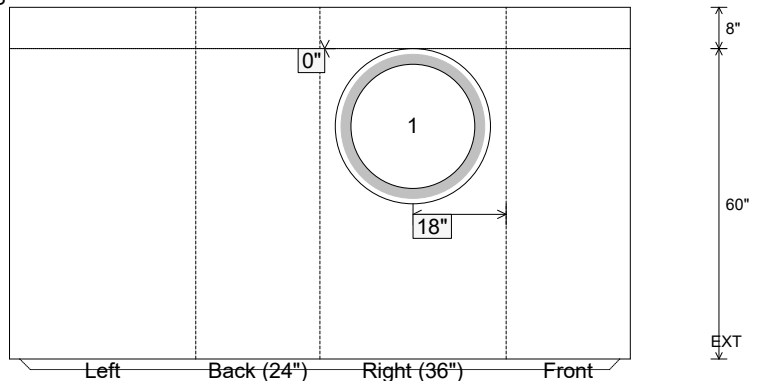
Position	Elev	Angle	Ext. (cw)	Pipe	Pipe OD	Connector	Hole	Horz Size	Up ( )	Offset
Invert 1	859'	90°	26"	24" HDPE	27.8"	Hole 30	30"	30"	0"	0"
Invert 2										
Invert 3										
Invert 4										
Invert 5										
Invert 6										
Invert 7										
Invert 8										

RIGHT-SIDE UP VIEW (int. dimensions)

UPSIDE-DOWN VIEW (int. dimensions)



INSIDE WALL DIMENSIONS



Coating (Int):  
 Coating (Ext):

Seam Up: Tongue  
 Seam Dn: n/a

Wall Thickness: 8"  
 Floor Height: 8"

Height (Int): 60"  
 Height (Ext): 68"

Weight (Net): 7044 lb  
 Volume (Net): 1.8cu yd