

Job Name: 25-1431 - Georgetown Commons
Job Location: Georgetown, KY
Contractor: Winwater Hartford KY Co.

PC: A. Chambers
 TECH: J. Coppage
 Plant: Beaver Dam



Structure ID: **CBI 234**
 Spec: KYTC
 Type: CBI TYPE A (5') MOD.
 Size: 36" x 36"

Rim: 869.75'
 Invert: 864.58'
 Rim to Invert: 5.17'

Sump: 2"
 Floor (Top): 864.413'
 Floor Height: 8"

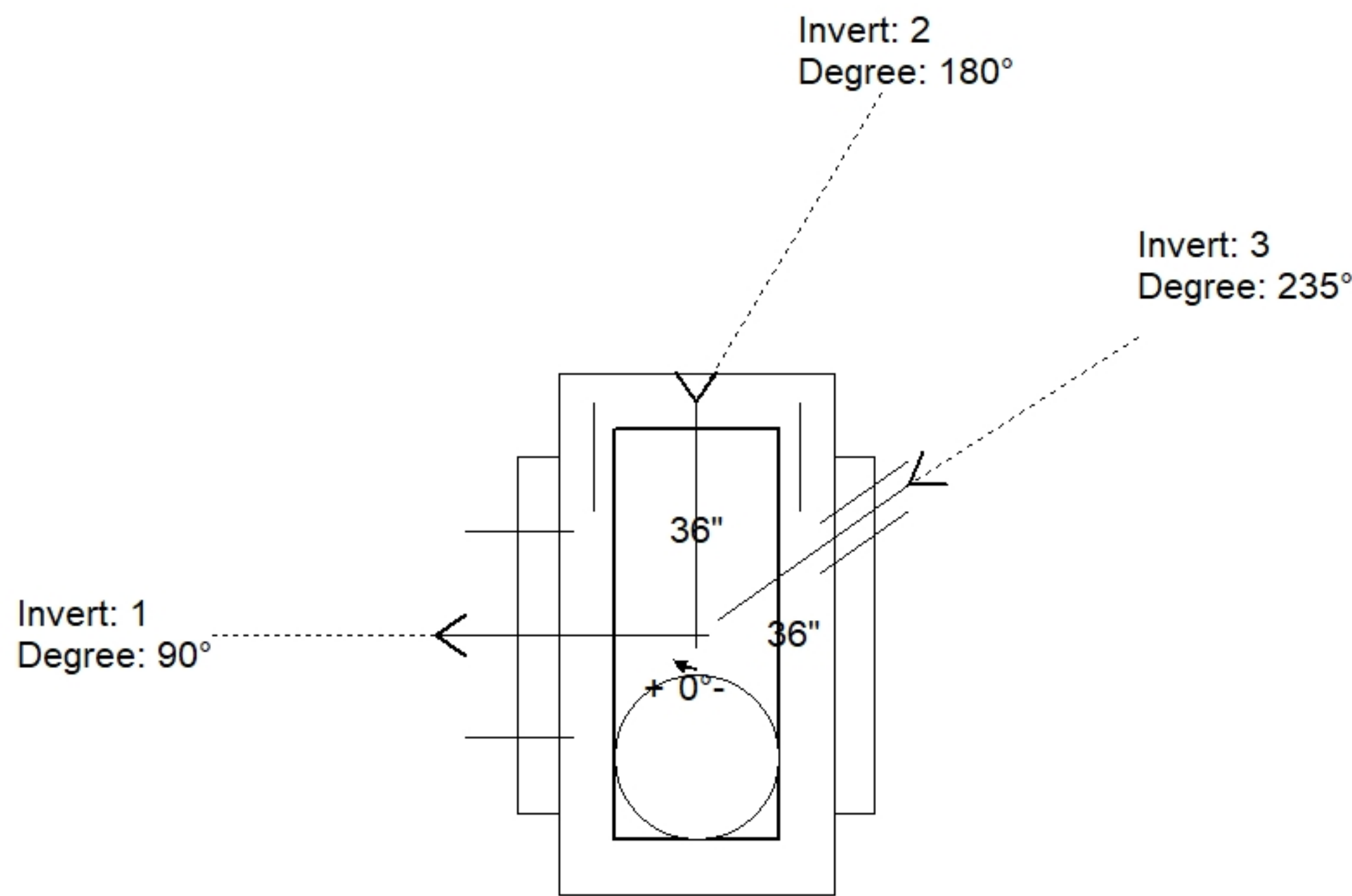
Floor (Bot): 863.747'
 Overall Height: 6'
 Slack: 0.04"

Structure Notes:

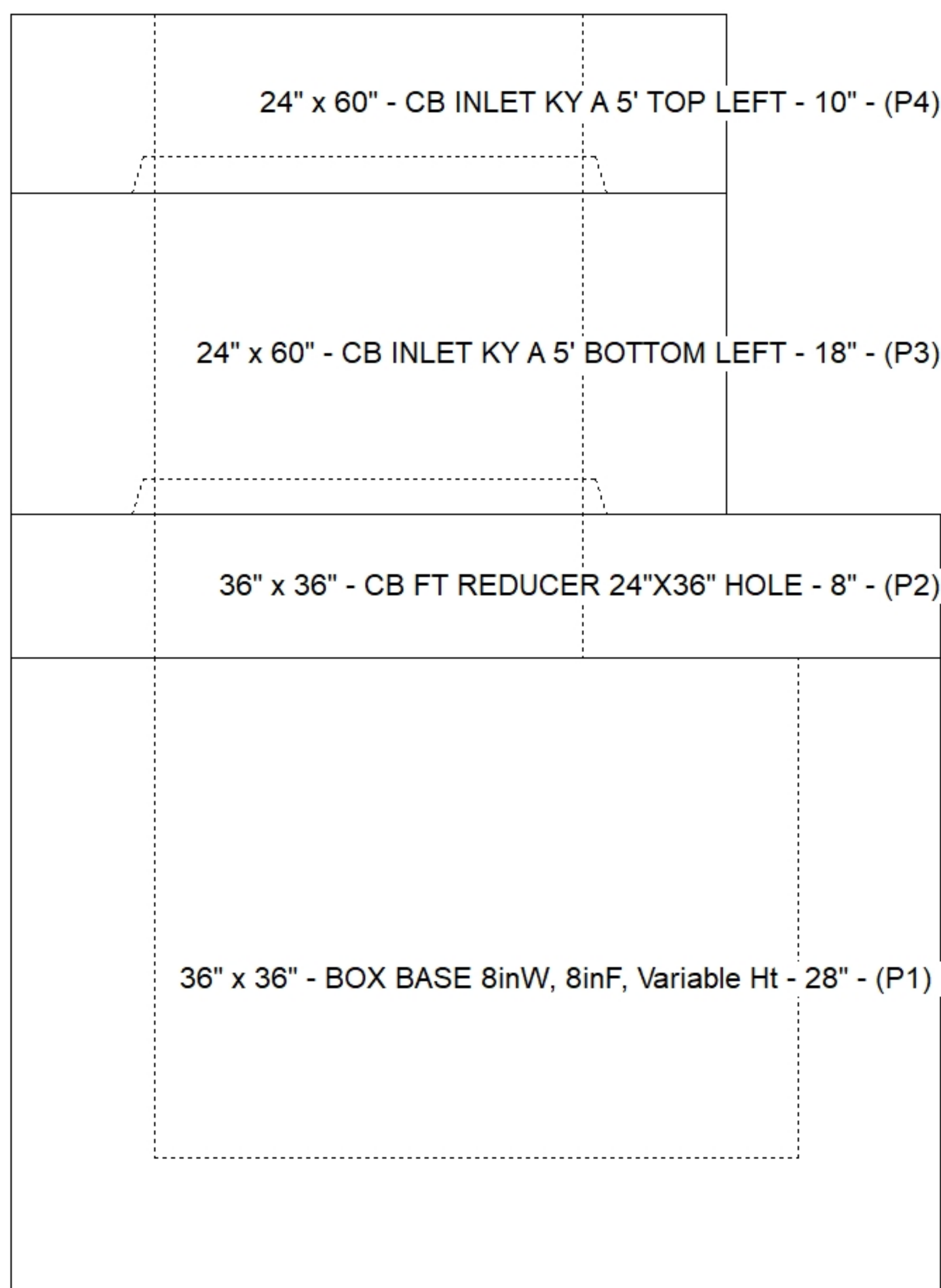
- JR HOE KY-206 PROVIDED BY ICAST.
- CASTING FRAME TO BE CAST INTO THE TOP PHASE.
- PER KYTC CBI TYPE A / ASTM C913 SPEC'S.
- CONCRETE = 4,000 PI AT 28 DAYS.
- REINFORCING PER ASTM A615 (GRADE 60).
 - TOP PHASE (As .62) #5 BARS AT 6" C.C.E.W.
 - WALLS (As .31) #5 BARS AT 12" C.C.E.W.
 - FLOOR (As .31) #5 BARS AT 12" C.C.E.W.
- WE HAVE LOWERED BOTH PIPES BY 2" TO GET THEM UNDERNEATH THE TRANSITION SLAB

STRUCTURE SUMMARY:

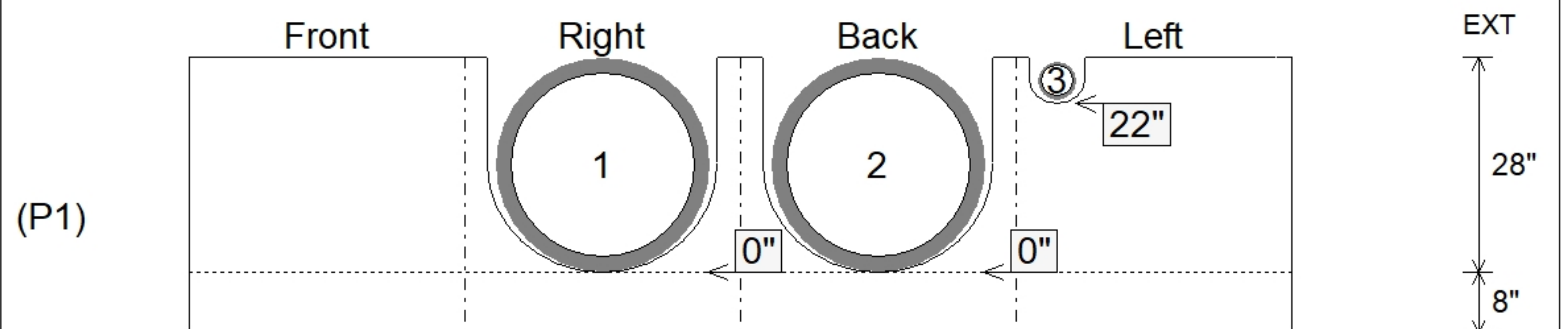
P4) 24" x 60" - CB INLET KY A 5' TOP LEFT - 10"	1895 lb
P3) 24" x 60" - CB INLET KY A 5' BOTTOM LEFT - 18"	2670 lb
P2) 36" x 36" - CB FT REDUCER 24"X36" HOLE - 8"	1235 lb
P1) 36" x 36" - BOX BASE 8inW, 8inF, Variable Ht - 28"	4090 lb
1) 36" x 36" - Conseal CS-102 1.00"	0 lb
1) 24" x 36" - Conseal CS-102 1.00"	0 lb
2) DOGHOUSE INVRTD - 30"x28"	0 lb
1) DOGHOUSE INVRTD - 6"x6"	0 lb
Structure Total:	9890 lb



Position	Elev	Angle	Pipe	Pipe OD	Hole	Connector	Up (")	Ref
Rim	869.75'							
Reducer	866.747'							
Invert 1	864.58'	90°	24" HDPE	27.8"	30" x 28"	DOGHOUSE INVRTD 30"x28"	0"	P1
Invert 2	864.58'	180°	24" HDPE	27.8"	30" x 28"	DOGHOUSE INVRTD 30"x28"	0"	P1
Invert 3	866.33'	235°	4" HDPE (perf pipe)	4.8"	6" x 6"	DOGHOUSE INVRTD 6"x6"	22"	P1
Invert 4								
Invert 5								
Invert 6								
Invert 7								
Invert 8								



Default - Interior Dimensions



Submittal Drawing
 4/23/2026 7:33:34 AM

SUBMITTAL
 APPROVED BY: