

Job Name: 25-1431 - Georgetown Commons
Job Location: Georgetown, KY
Contractor: Winwater Hartford KY Co.

PC: A. Chambers
 TECH: J. Coppage
 Plant: Beaver Dam



Structure ID: **CBI 233**
 Spec: KYTC
 Type: CBI TYPE A (5') MOD.
 Size: 36" x 48"

Rim: 878.7'
 Invert: 870.5'
 Rim to Invert: 8.2'

Sump: 3"
 Floor (Top): 870.25'
 Floor Height: 8"

Floor (Bot): 869.583'
 Overall Height: 9'
 Slack: 1.4"

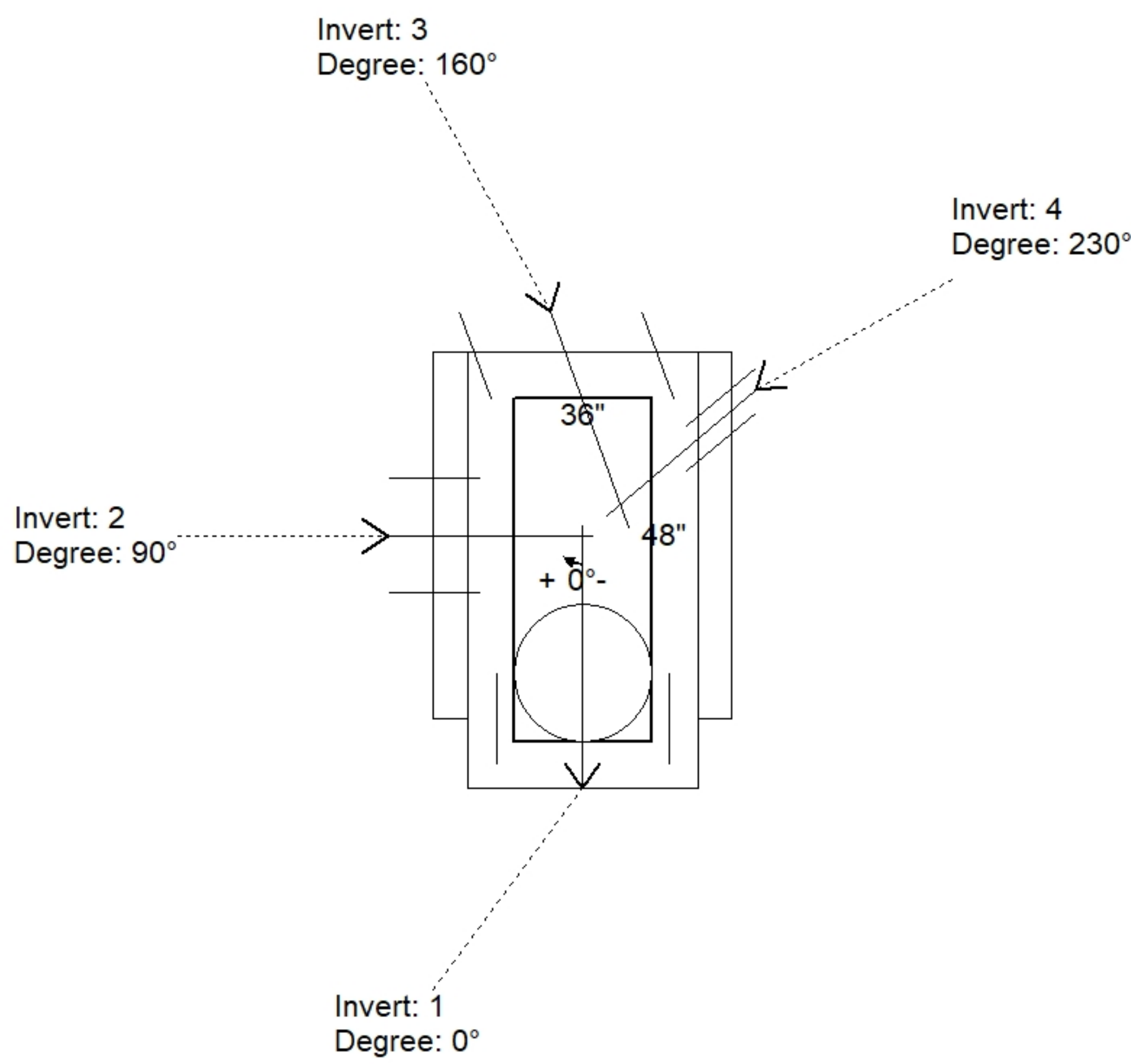
Structure Notes:

1. JR HOE KY-206 PROVIDED BY ICAST.
2. CASTING FRAME TO BE CAST INTO THE TOP PHASE.
3. PER KYTC CBI TYPE A / ASTM C478 SPEC'S.
4. CONCRETE = 4,000 PI AT 28 DAYS.
5. REINFORCING PER ASTM A615 (GRADE 60).
 - TOP PHASE (As .62) #5 BARS AT 6" C.C.E.W.
 - WALLS (As .31) #5 BARS AT 12" C.C.E.W.
 - FLOOR (As .31) #5 BARS AT 12" C.C.E.W.

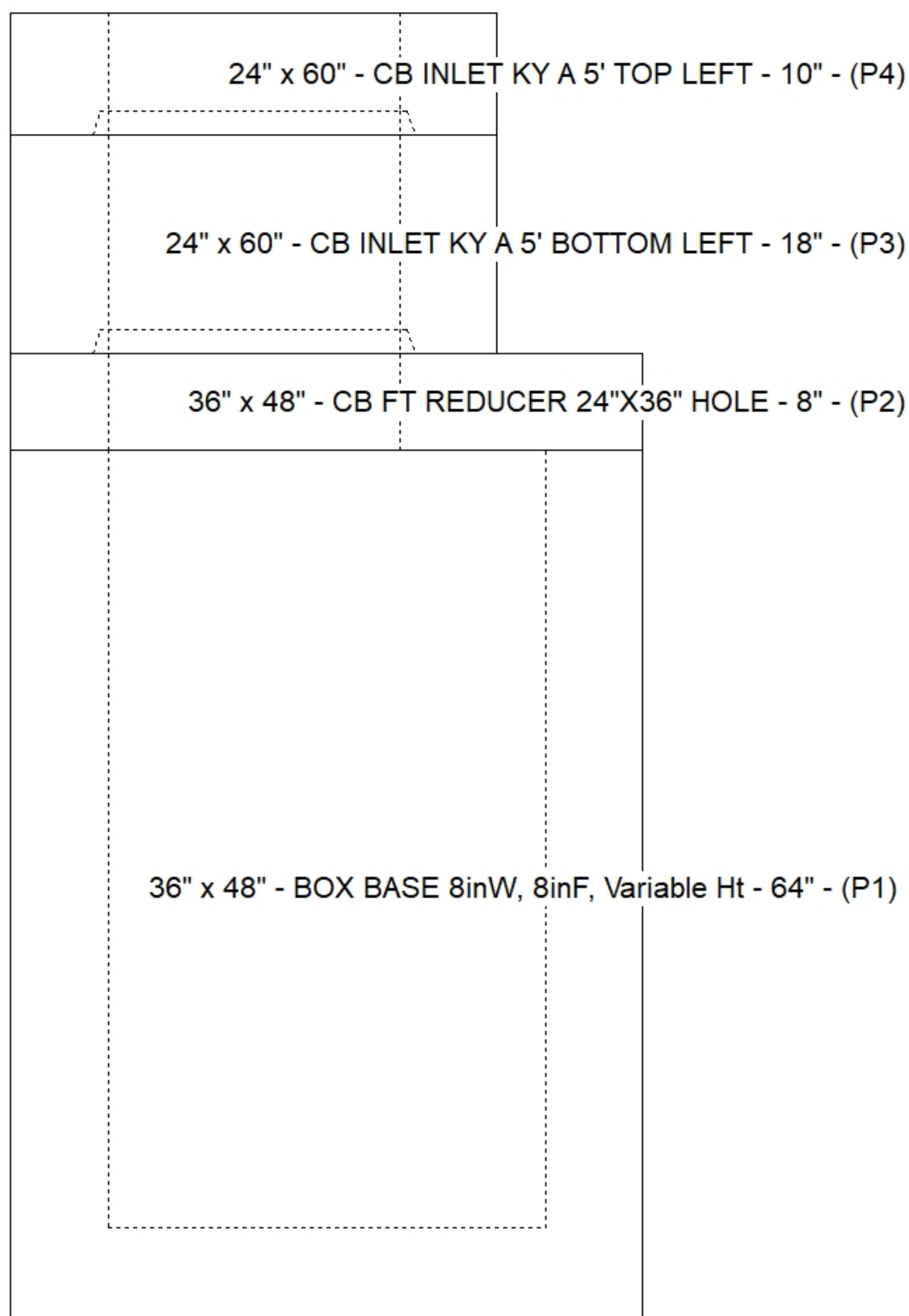
STRUCTURE SUMMARY:

- P4) 24" x 60" - CB INLET KY A 5' TOP LEFT - 10" 1895 lb
- P3) 24" x 60" - CB INLET KY A 5' BOTTOM LEFT - 18" 2670 lb
- P2) 36" x 48" - CB FT REDUCER 24"X36" HOLE - 8" 1654 lb
- P1) 36" x 48" - BOX BASE 8inW, 8inF, Variable Ht - 64" 9612 lb
- 1) 36" x 48" - Conseal CS-102 1.00" 0 lb
- 1) 24" x 36" - Conseal CS-102 1.00" 0 lb
- 2) Hole - 30 0 lb
- 1) Hole - 20 0 lb
- 1) Hole - 6 0 lb

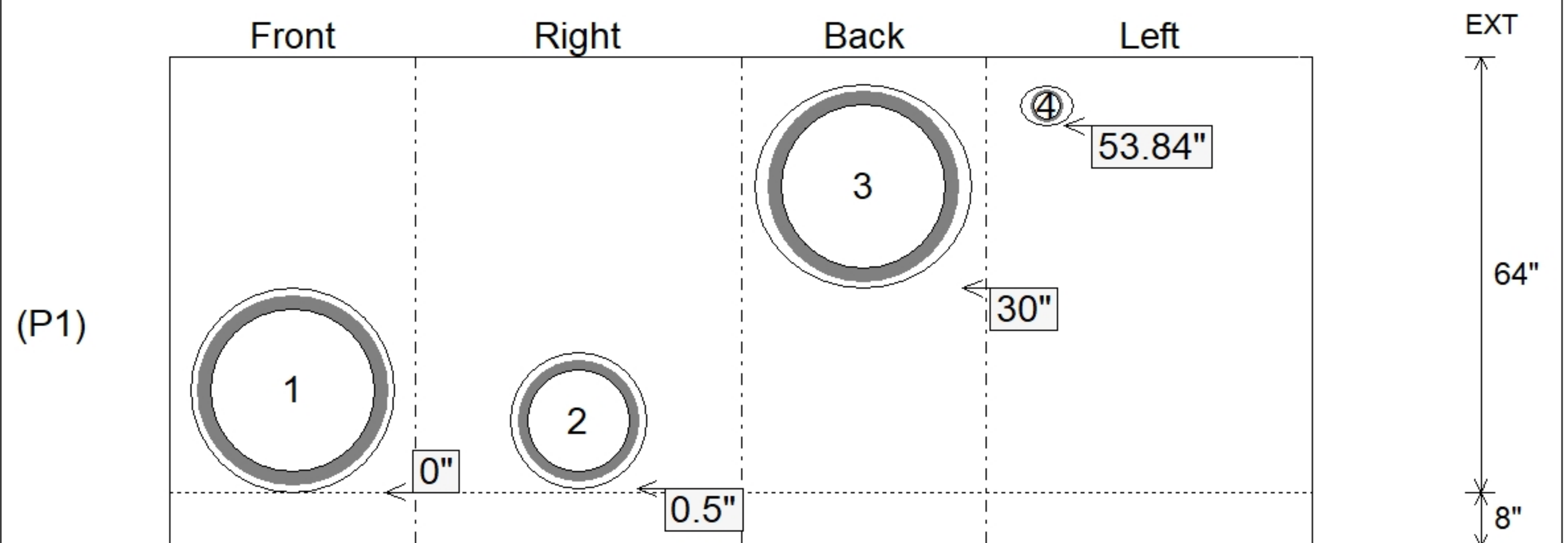
Structure Total: 15831 lb



Position	Elev	Angle	Pipe	Pipe OD	Hole	Connector	Up ()	Ref
Rim	878.7'							
Reducer	875.583'							
Invert 1	870.5'	0°	24" HDPE	27.8"	30"	Hole 30	0"	P1
Invert 2	870.5'	90°	15" HDPE	17.6"	20"	Hole 20	0.5"	P1
Invert 3	873'	160°	24" HDPE	27.8"	30"	Hole 30	30"	P1
Invert 4	874.82'	230°	4" HDPE (perf pipe)	4.8"	6"	Hole 6	53.84"	P1
Invert 5								
Invert 6								
Invert 7								
Invert 8								



Default - Interior Dimensions



Submittal Drawing
 4/10/2026 10:35:17 AM

SUBMITTAL
 APPROVED BY: