

Job Name: 25-1431 - Georgetown Commons
 Job Location: Georgetown, KY
 Contractor: Winwater Hartford KY Co.

Plant: Beaver Dam

4/22/2026 9:12:42 AM

Tech: J. Coppage

PC: A. Chambers



Structure ID: CBI 232

P1 BX3648-08BAVF

BOX BASE 8inW, 8inF, Variable Ht

- P4) 24" x 60" - CB INLET KY A 5' TOP LEFT - 10"
- P3) 24" x 60" - CB INLET KY A 5' BOTTOM LEFT - 18"
- P2) 36" x 48" - CB FT REDUCER 24"X36" HOLE - 8"
- P1) 36" x 48" - BOX BASE 8inW, 8inF, Variable Ht - 46"
- 1) 36" x 48" - Conseal CS-102 1.00"
- 1) 24" x 36" - Conseal CS-102 1.00"
- 2) Hole - 30
- 1) Hole - 20
- 1) DOGHOUSE INVRTD - 6"x6"

- Structure Notes:**
1. JR HOE KY-206 PROVIDED BY ICAST.
 2. CASTING FRAME TO BE CAST INTO THE TOP PHASE.
 3. PER KYTC CBI TYPE A / ASTM C913 SPEC'S.
 4. CONCRETE = 4,000 PI AT 28 DAYS.
 5. REINFORCING PER ASTM A615 (GRADE 60).
 - TOP PHASE (As .62) #5 BARS AT 6" C.C.E.W.
 - WALLS (As .31) #5 BARS AT 12" C.C.E.W.
 - FLOOR (As .31) #5 BARS AT 12" C.C.E.W.

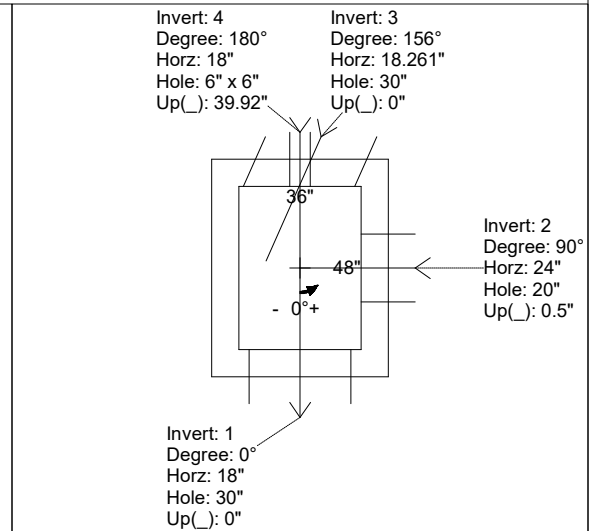
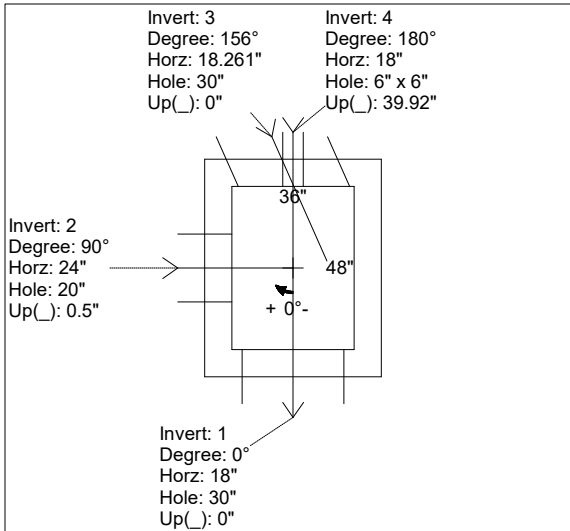
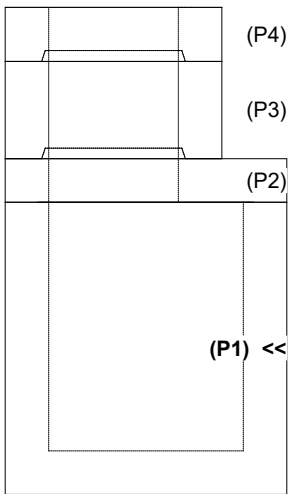
Structure Total: 13402 lb

Rim: 884.29' Rim to Invert: 6.79' Slack: 2.48' Sump: 3' Step Position:

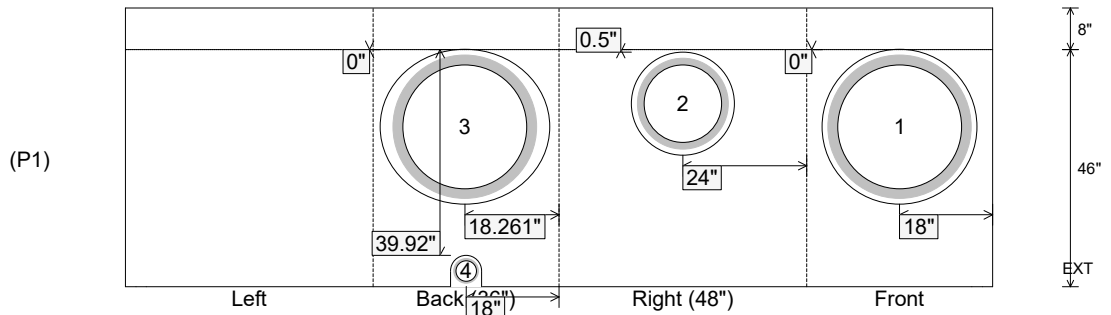
Position	Elev	Angle	Ext. (cw)	Pipe	Pipe OD	Connector	Hole	Horz Size	Up ()	Offset
Invert 1	877.5'	0°	26"	24" HDPE	27.8"	Hole 30	30"	30"	0"	0"
Invert 2	877.5'	90°	32"	15" HDPE	17.6"	Hole 20	20"	20"	0.5"	0"
Invert 3	877.5'	156°	22.699"	24" HDPE	27.8"	Hole 30	30"	32.839"	0"	10"
Invert 4	880.66'	180°	26"	4" HDPE (perf pipe)	4.8"	DOGHOUSE INVRTD 6"x6"	6" x 6"	6"	39.92"	0"
Invert 5										
Invert 6										
Invert 7										
Invert 8										

RIGHT-SIDE UP VIEW (int. dimensions)

UPSIDE-DOWN VIEW (int. dimensions)



INSIDE WALL DIMENSIONS



Coating (Int):
 Coating (Ext):

Seam Up: Flat
 Seam Dn: n/a

Wall Thickness: 8"
 Floor Height: 8"

Height (Int): 46"
 Height (Ext): 54"

Weight (Net): 7183 lb
 Volume (Net): 1.84cu.yd