

Job Name: 25-1431 - Georgetown Commons  
 Job Location: Georgetown, KY  
 Contractor: Winwater Hartford KY Co.

Plant: Beaver Dam

Tech: J. Coppage

4/23/2026 11:30:53 AM

PC: A. Chambers



**Structure ID: CBI 213**

**P3 BX036048-08TS024036**

**CB FT REDUCER 24"X36" HOLE**

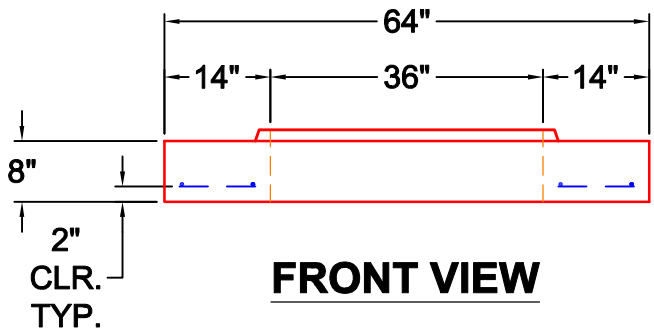
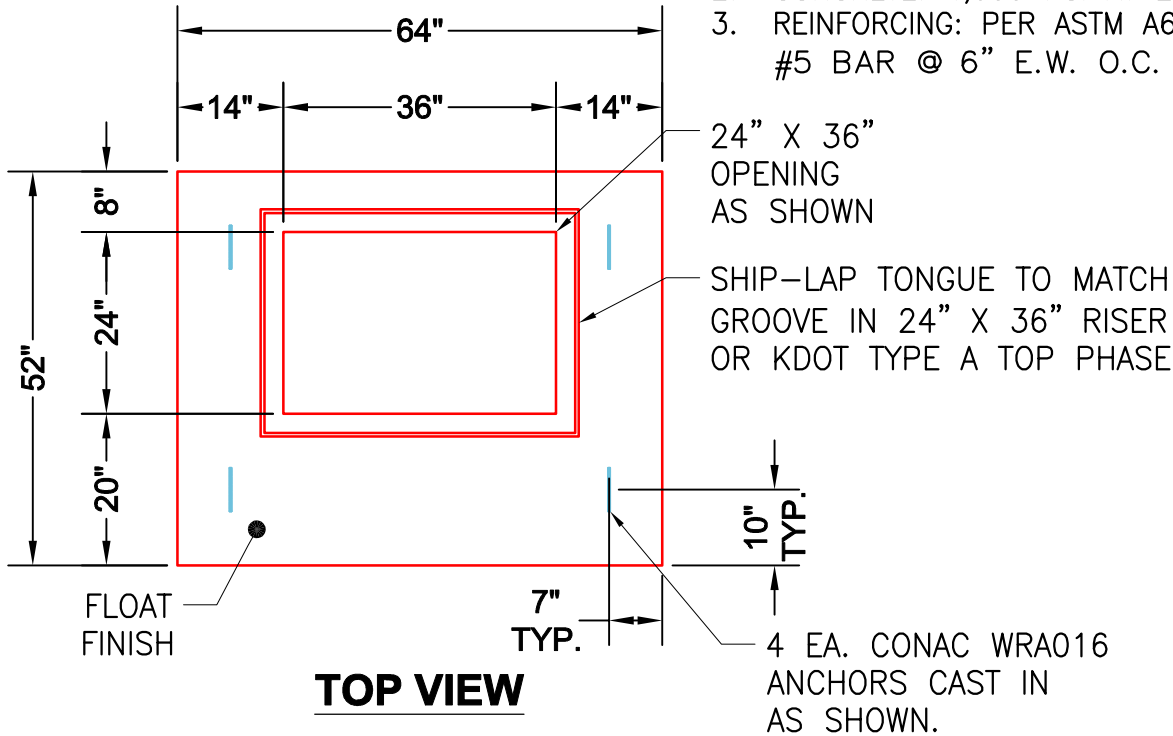
- P5) 24" x 120" - CB INLET KY A 10' TOP LEFT - 10"
- P4) 24" x 120" - CB INLET KY A 10' BOTTOM LEFT - 18"
- P3) 36" x 48" - CB FT REDUCER 24"X36" HOLE - 8"
- P2) 36" x 48" - BOX RISER 8inW, Variable Ht - 47"
- P1) 36" x 48" - BOX BASE 8inW, 8inF - 60"
- 2) 36" x 48" - Conseal CS-102 1.00"
- 1) 24" x 36" - Conseal CS-102 1.00"
- 2) Hole - 40
- 1) Hole - 6

- Structure Notes:
- 1. JR HOE KY-206 PROVIDED BY ICAST.
  - 2. CASTING FRAME TO BE CAST INTO THE TOP PHASE.
  - 3. PER KYTC CBI TYPE A / ASTM C913 SPEC'S.
  - 4. CONCRETE = 4,000 PI AT 28 DAYS.
  - 5. REINFORCING PER ASTM A615 (GRADE 60).
    - TOP PHASE (As .62) #5 BARS AT 6" C.C.E.W.
    - WALLS (As .31) #5 BARS AT 12" C.C.E.W.
    - FLOOR (As .31) #5 BARS AT 12" C.C.E.W.

Structure Total: 25217 lb

GENERAL NOTES:

1. MANUFACTURED TO ASTM C-913 (LATEST REVISION).
2. CONCRETE: 4,000 PSI AT 28 DAYS.
3. REINFORCING: PER ASTM A615 #5 BAR @ 6" E.W. O.C. (GRADE 60).



Coating (Int): Coating (Ext):	Seam Up: Tongue Seam Dn: Flat	Wall Thickness: 8"	Height (Ext): 8"	Weight (Net): 1654 lb Volume (Net): 0.42cu.yd
----------------------------------	----------------------------------	--------------------	------------------	--