

Job Name: 25-1431 - Georgetown Commons
 Job Location: Georgetown, KY
 Contractor: Winwater Hartford KY Co.

Plant: Beaver Dam

Tech: J. Coppage

4/23/2026 11:20:37 AM

PC: A. Chambers



Structure ID: CBI 211

P1 BX6060-08BAVF

BOX BASE 8inW, 8inF, Variable Ht

- P5) 24" x 60" - CB INLET KY A 5' TOP LEFT - 10"
- P4) 24" x 60" - CB INLET KY A 5' BOTTOM LEFT - 18"
- P3) 60" x 60" - CB FT REDUCER 24"X36" HOLE - 10"
- P2) 60" x 60" - BOX RISER 8inW, Variable Ht - 52"
- P1) 60" x 60" - BOX BASE 8inW, 8inF, Variable Ht - 70"
- 1) SECONDARY POUR - WALLS
- 2) 60" x 60" - Conseal CS-102 1.00"
- 1) 24" x 36" - Conseal CS-102 1.00"
- 2) Hole - 56
- 1) Hole - 6

- 1895 lb
- 2670 lb
- 4122 lb
- 8604 lb
- 14224 lb
- 0 lb
- 0 lb
- 0 lb
- 0 lb
- 0 lb
-
- Structure Total: 31515 lb

Structure Notes:

1. JR HOE KY-206 PROVIDED BY ICAST.
2. CASTING FRAME TO BE CAST INTO THE TOP PHASE.
3. PER KYTC CBI TYPE A / ASTM C913 SPEC'S.
4. CONCRETE = 4,000 PI AT 28 DAYS.
5. REINFORCING PER ASTM A615 (GRADE 60).
 - TOP PHASE (As .62) #5 BARS AT 6" C.C.E.W.
 - WALLS (As .31) #5 BARS AT 12" C.C.E.W.
 - FLOOR (As .31) #5 BARS AT 12" C.C.E.W.

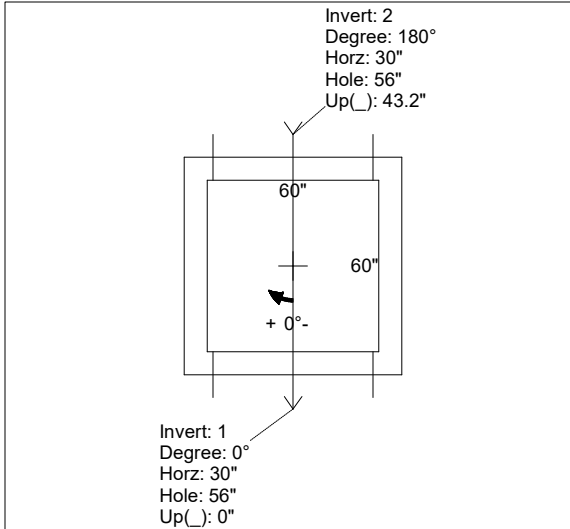
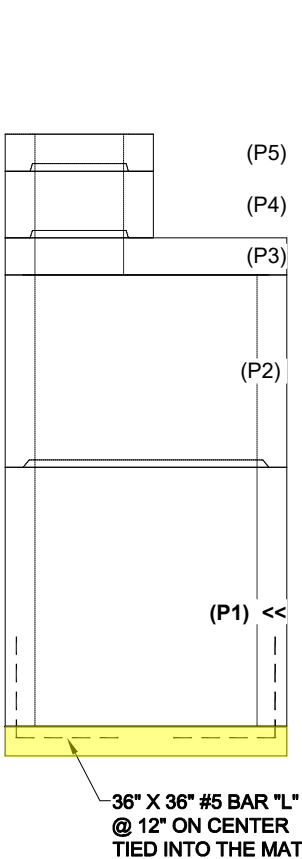
FIRST POUR DRAWING

Rim: 877.83' Rim to Invert: 13.08' Slack: 1.16" Sump: 4.2" Step Position:

Position	Elev	Angle	Ext. (cw)	Pipe	Pipe OD	Connector	Hole	Horz Size	Up ()	Offset
Invert 1	864.75'	0°	38"	48" HDPE	53.5"	Hole 56	56"	56"	0"	0"
Invert 2	868.35'	180°	38"	48" HDPE	53.5"	Hole 56	56"	56"	43.2"	0"
Invert 3										
Invert 4										
Invert 5										
Invert 6										
Invert 7										
Invert 8										

RIGHT-SIDE UP VIEW (int. dimensions)

UPSIDE-DOWN VIEW (int. dimensions)



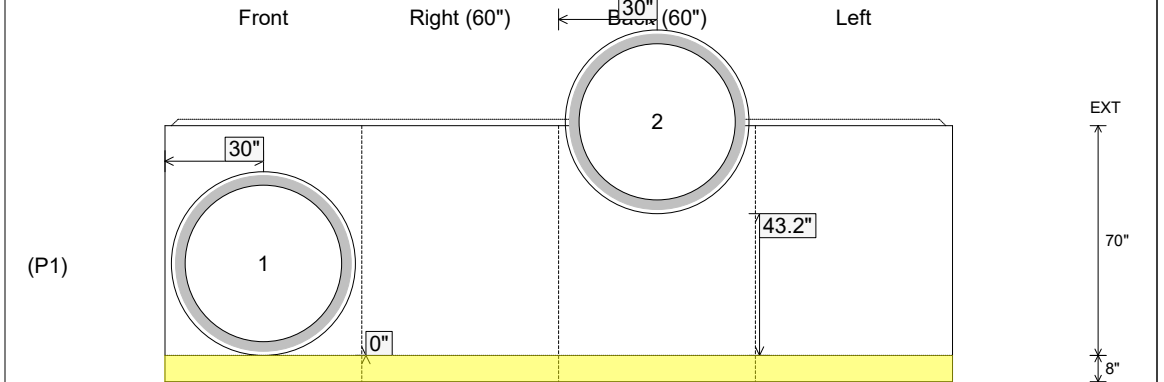
WEIGHTS:

FIRST POUR - 3,877 LBS.

SECOND POUR - 10,347 LBS.

TOTAL - 14,224 LBS.

INSIDE WALL DIMENSIONS



Coating (Int):
Coating (Ext):

Seam Up: Tongue
Seam Dn: n/a

Wall Thickness: 8"
Floor Height: 8"

Height (Int): 70"
Height (Ext): 78"

Weight (Net): 14224 lb
Volume (Net): 3.63cu.yd

Job Name: 25-1431 - Georgetown Commons
 Job Location: Georgetown, KY
 Contractor: Winwater Hartford KY Co.

Plant: Beaver Dam

Tech: J. Coppage

4/23/2026 11:20:37 AM

PC: A. Chambers



Structure ID: CBI 211

P1 BX6060-08BAVF

BOX BASE 8inW, 8inF, Variable Ht

- P5) 24" x 60" - CB INLET KY A 5' TOP LEFT - 10"
- P4) 24" x 60" - CB INLET KY A 5' BOTTOM LEFT - 18"
- P3) 60" x 60" - CB FT REDUCER 24"X36" HOLE - 10"
- P2) 60" x 60" - BOX RISER 8inW, Variable Ht - 52"
- P1) 60" x 60" - BOX BASE 8inW, 8inF, Variable Ht - 70"
- 1) SECONDARY POUR - WALLS
- 2) 60" x 60" - Conseal CS-102 1.00"
- 1) 24" x 36" - Conseal CS-102 1.00"
- 2) Hole - 56
- 1) Hole - 6

1895 lb
 2670 lb
 4122 lb
 8604 lb
 14224 lb
 0 lb
 0 lb
 0 lb
 0 lb
 0 lb
 0 lb

 Structure Total: 31515 lb

Structure Notes:

1. JR HOE KY-206 PROVIDED BY ICAST.
2. CASTING FRAME TO BE CAST INTO THE TOP PHASE.
3. PER KYTC CBI TYPE A / ASTM C913 SPEC'S.
4. CONCRETE = 4,000 PI AT 28 DAYS.
5. REINFORCING PER ASTM A615 (GRADE 60).
 - TOP PHASE (As .62) #5 BARS AT 6" C.C.E.W.
 - WALLS (As .31) #5 BARS AT 12" C.C.E.W.
 - FLOOR (As .31) #5 BARS AT 12" C.C.E.W.

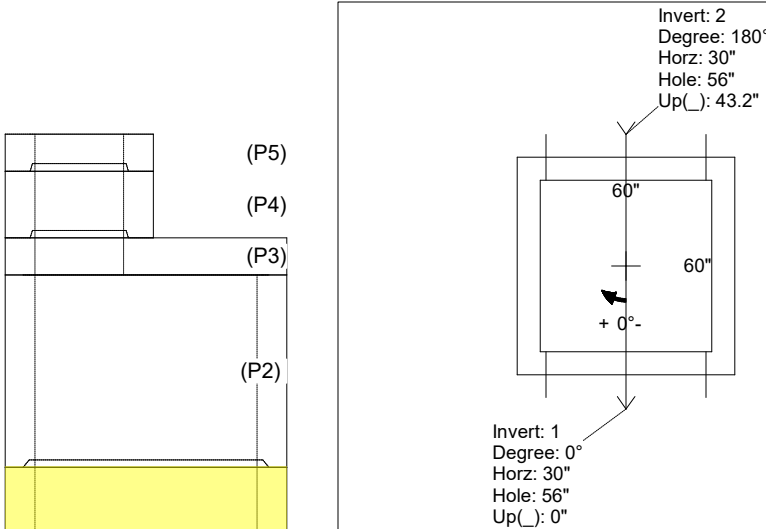
SECOND POUR DRAWING

Rim: 877.83' Rim to Invert: 13.08' Slack: 1.16" Sump: 4.2" Step Position:

Position	Elev	Angle	Ext. (cw)	Pipe	Pipe OD	Connector	Hole	Horz Size	Up ()	Offset
Invert 1	864.75'	0°	38"	48" HDPE	53.5"	Hole 56	56"	56"	0"	0"
Invert 2	868.35'	180°	38"	48" HDPE	53.5"	Hole 56	56"	56"	43.2"	0"
Invert 3										
Invert 4										
Invert 5										
Invert 6										
Invert 7										
Invert 8										

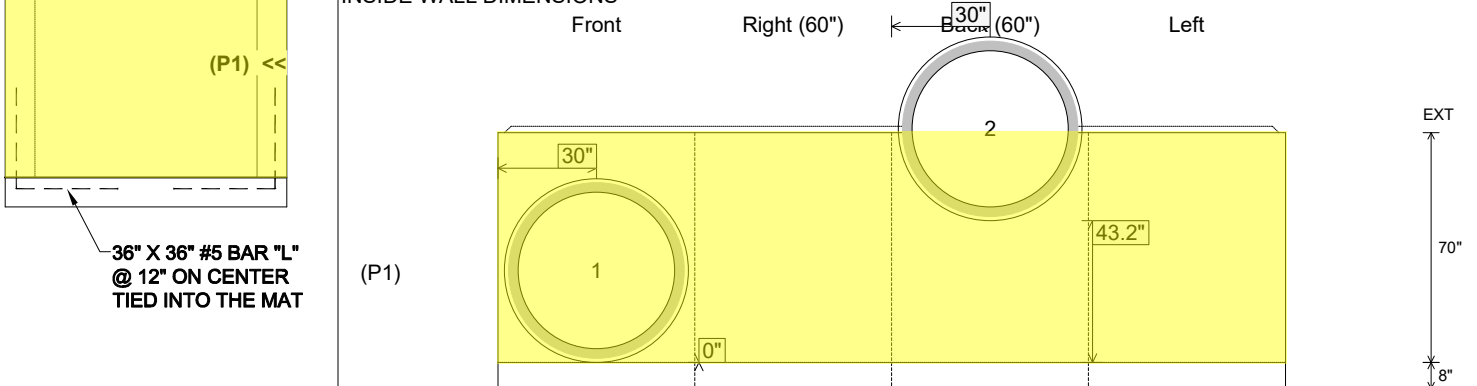
RIGHT-SIDE UP VIEW (int. dimensions)

UPSIDE-DOWN VIEW (int. dimensions)



WEIGHTS:
FIRST POUR - 3,877 LBS.
SECOND POUR - 10,347 LBS.
TOTAL - 14,224 LBS.

INSIDE WALL DIMENSIONS



Coating (Int):
 Coating (Ext):

Seam Up: Tongue
 Seam Dn: n/a

Wall Thickness: 8"
 Floor Height: 8"

Height (Int): 70"
 Height (Ext): 78"

Weight (Net): 14224 lb
 Volume (Net): 3.63cu.yd